

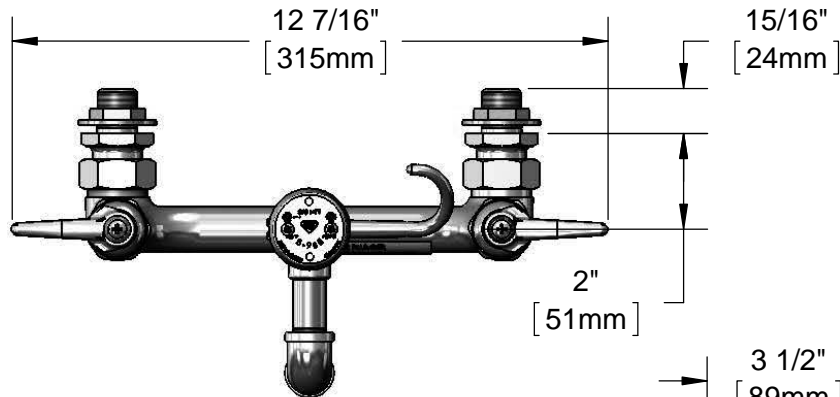


T&S BRASS AND BRONZE WORKS, INC.
 2 Saddleback Cove / P.O. Box 1088
 Travelers Rest, SC 29690

Model No.
B-0610-CC-H108

Item No.

Travelers Rest, SC: 800-476-4103 • Simi Valley, CA: 800-423-0150 • Fax: 864-834-3518 • www.tsbrass.com



This Space for Architect/Engineer Approval

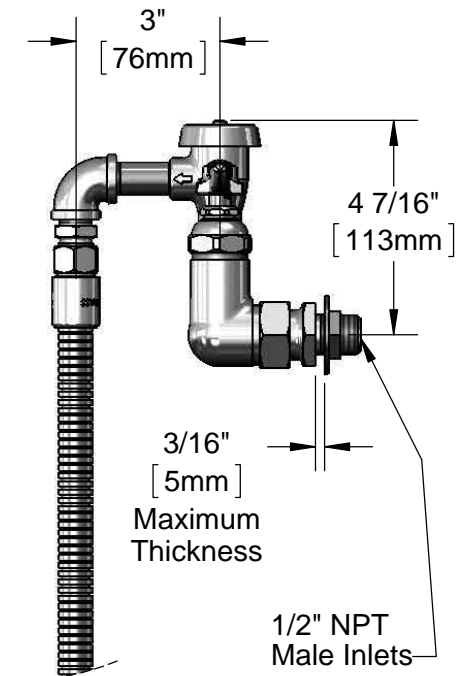
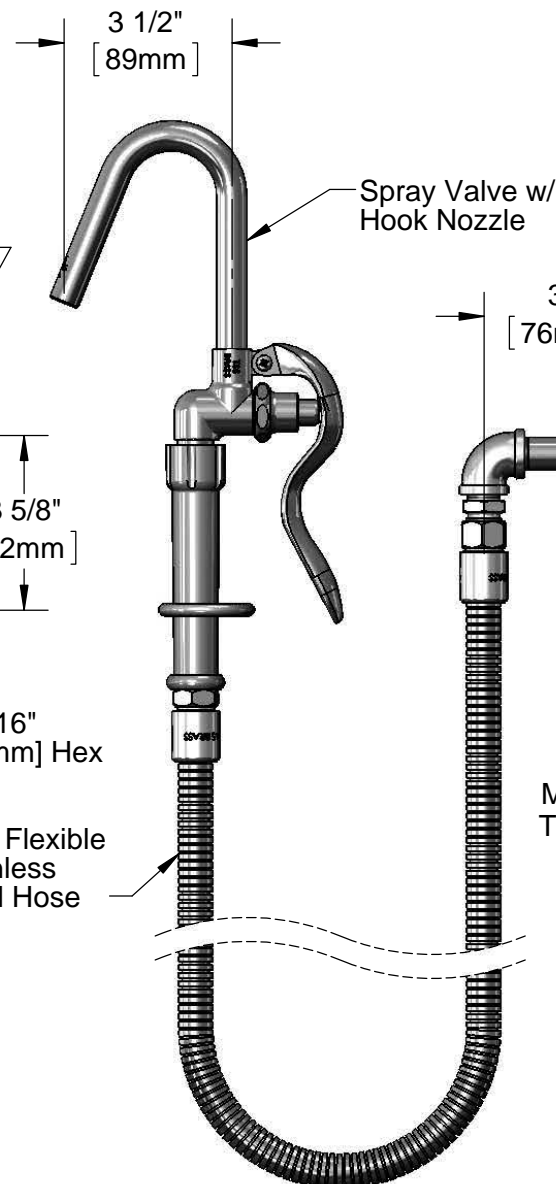
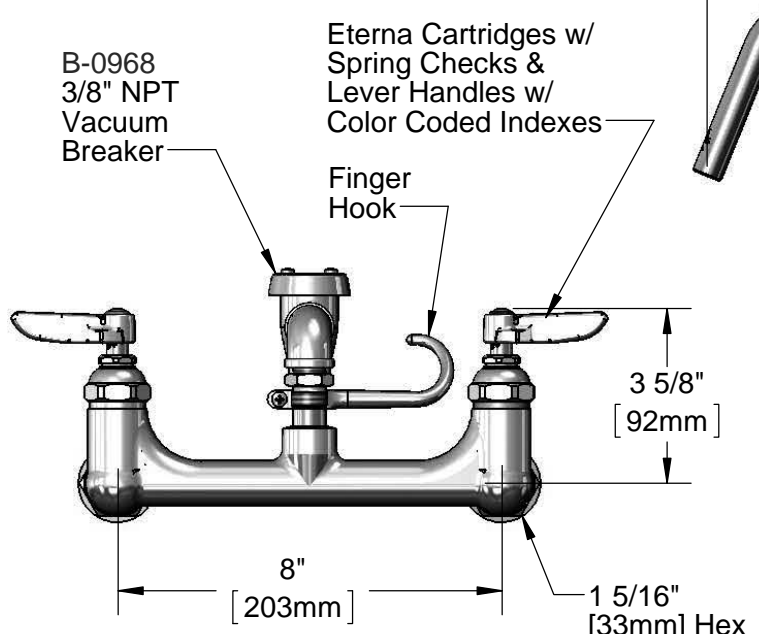
Job Name _____ Date _____

Model Specified _____ Quantity _____

Customer/Wholesaler _____

Contractor _____

Architect/Engineer _____



Product Specifications:
 Kettle & Pot Filler Wall Mount Faucet, Eterna Cartridges w/
 Spring Checks, Lever Handles, 3/8" NPT Vacuum Breaker,
 108" Flexible Stainless Steel Hose, Spray Valve w/ Hook
 Nozzle & 1/2" NPT Male Inlets

Drawn KJG	Checked DMH	Approved JHB
Scale: 1:4		Date: 09/20/13



T&S BRASS AND BRONZE WORKS, INC.

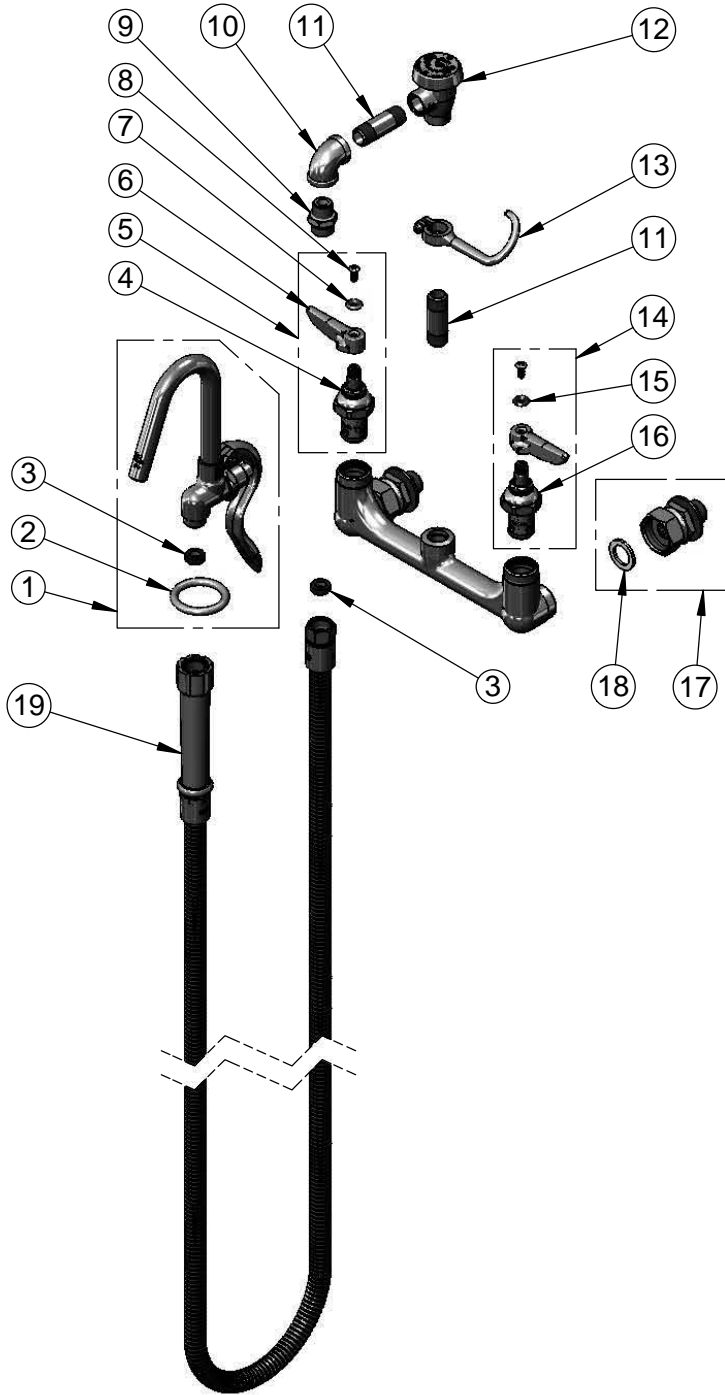
2 Saddleback Cove / P.O. Box 1088
Travelers Rest, SC 29690

Model No.

B-0610-CC-H108

Item No.

Travelers Rest, SC: 800-476-4103 • Simi Valley, CA: 800-423-0150 • Fax: 864-834-3518 • www.tsbrass.com



ITEM NO.	SALES NO.	DESCRIPTION
1	002851-40	Hook Nozzle & Spray Valve
2	000907-45	Spray Valve Hold Down Ring
3	010476-45	#27 Washer
4	012443-40	Eterna Cartridge, RTC w/ Spring Check
5	002712-40	Eterna Cartridge, RTC w/ Spring Check, Handle, Index & Screw
6	001638-45	Lever Handle
7	001661-45	Red Index-HW
8	000922-45	Lever Handle Screw
9	053A	Adapter, 3/8" NPT x 3/4"-14 UNS
10	001355-40	Elbow, 3/8 NPT
11	000357-40	Nipple, 3/8" NPT x 2"
12	B-0968	3/8" NPT Vacuum Breaker
13	004R	Finger Hook
14	002711-40	Eterna Cartridge, LTC w/ Spring Check, Handle, Index & Screw
15	001660-45	Blue Index-CW
16	012442-40	Eterna Cartridge, LTC w/ Spring Check
17	00CC	1/2" NPT Male Inlet Flange
18	001019-45	Coupling Nut Washer
19	B-0108-HOSE	108" Flexible Stainless Steel Hose

Product Specifications:

Kettle & Pot Filler Wall Mount Faucet, Eterna Cartridges w/ Spring Checks, Lever Handles, 3/8" NPT Vacuum Breaker, 108" Flexible Stainless Steel Hose, Spray Valve w/ Hook Nozzle & 1/2" NPT Male Inlets

Drawn

KJG

Checked

DMH

Approved

JHB

Scale:

NTS

Date:

09/20/13