



T&S BRASS AND BRONZE WORKS, INC.

2 Saddleback Cove / P.O. Box 1088
Travelers Rest, SC 29690



REG. #A2601
ISO #9001

Model No.

B-0650-POL

Item No.

Travelers Rest, SC: 800-476-4103 Simi Valley, CA: 800-423-0150 Fax: 864-834-3518 www.tsbrass.com

This Space for Architect/Engineer Approval

Job Name _____ Date _____

Model Specified _____ Quantity _____

Customer/Wholesaler _____

Contractor _____

Architect/Engineer _____



ADA Compliant

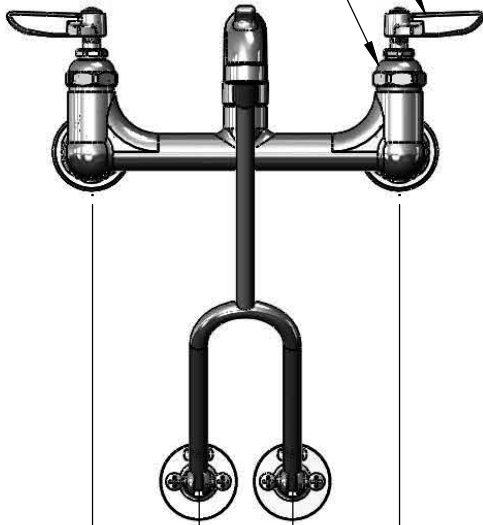


Hot & Cold Eterna
Cartridges w/ Spring
Checks

Lever Handles w/
Color Coded Indexes

000610-40
Extension

Ø2"
[51mm]
Flange w/
1/2" NPT
Female Inlets



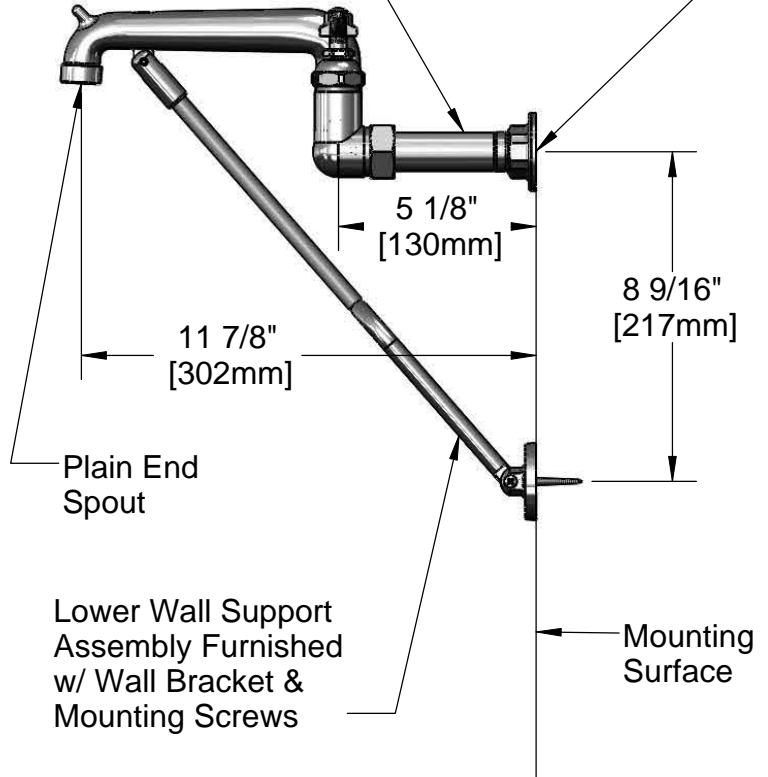
2 7/16"
[62mm]

8"

[203mm]

Adjustable from
7 3/4" to 8 1/4"

[197mm to 210mm]



5 1/8"
[130mm]

11 7/8"
[302mm]

8 9/16"
[217mm]

Plain End
Spout

Lower Wall Support
Assembly Furnished
w/ Wall Bracket &
Mounting Screws

Mounting
Surface

Product Specifications:

8" Wall Support Service Sink, Polish Chrome Finish,
Lever Handles, Lower Support Rod, 1/2" NPT
Extended Inlets & Plain Outlet

Drawn
DHL

Checked
KJG

Approved
JHB

Scale:

NTS

Date:

08/10/10



T&S BRASS AND BRONZE WORKS, INC.

2 Saddleback Cove / P.O. Box 1088
Travelers Rest, SC 29690



REG. #A2601
ISO #9001

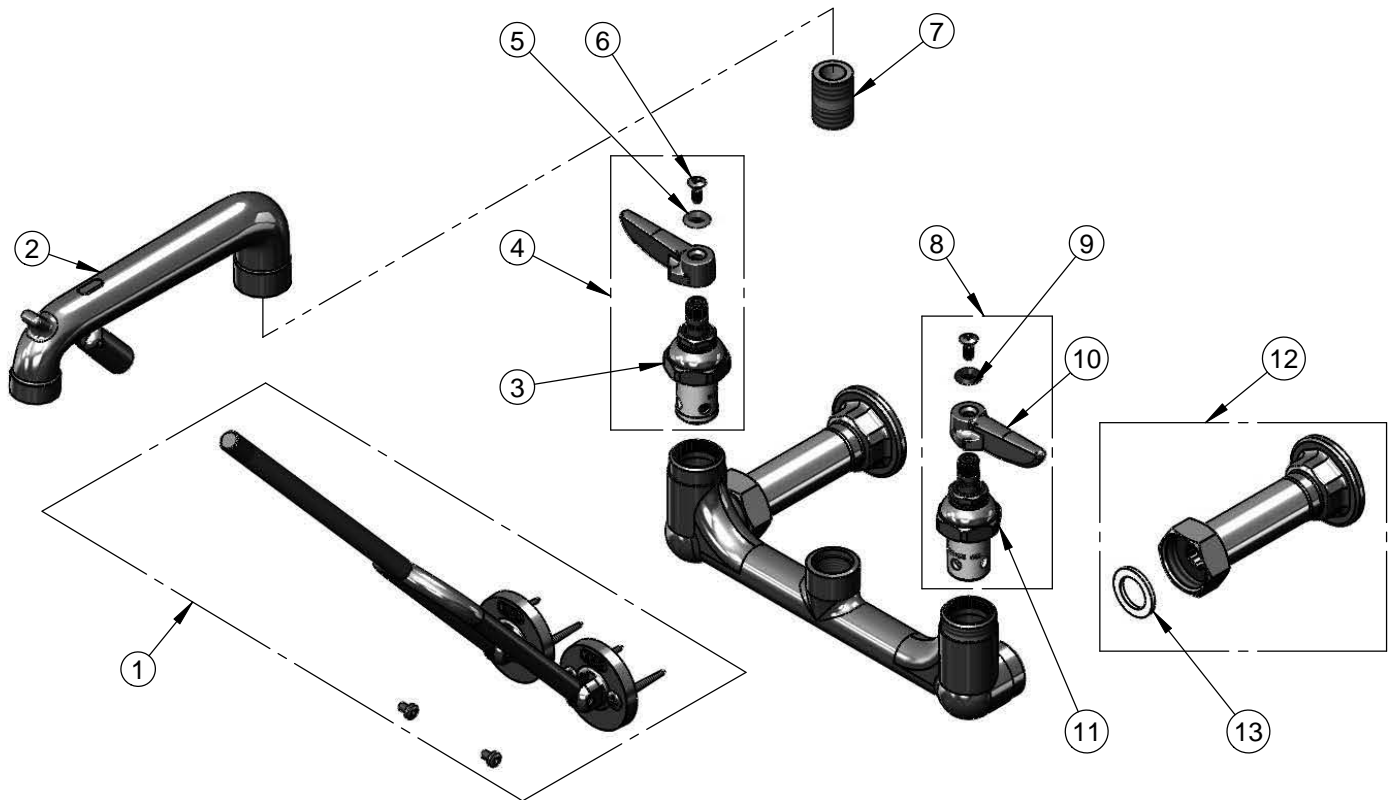
Model No.

B-0650-POL

Item No.

Travelers Rest, SC: 800-476-4103 Simi Valley, CA: 800-423-0150 Fax: 864-834-3518 www.tsbrass.com

ITEM NO.	SALES NO.	DESCRIPTION
1	009616-40	Lower Wall Support Assembly w/ Mounting Screws
2	016844-40	Spout Assembly Polish Chrome w/ Bottom Support Clevis
3	012443-40	Hot Eterna Spindle Assembly w/ Spring Check
4	002712-40	Hot Eterna Sindle Assembly w/ Spring Check, Handle, Index & Screw
5	001661-45	Red Index-HW
6	000922-45	Lever Handle Screw
7	002534-25	Close Nipple, 1/2" x 1 5/32" Lg Rough Chrome
8	002711-40	Cold Eterna Sindle Assembly w/ Spring Check, Handle, Index & Screw
9	001660-45	Blue Index-CW
10	001638-45	Lever Handle
11	012442-40	Cold Eterna Spindle Assembly w/ Spring Check
12	B-0441	1/2" x 4" Extension Flange Inlet
13	001019-45	Coupling Nut Washer



Product Specifications:

8" Wall Support Service Sink, Polish Chrome Finish,
Lever Handles, Lower Support Rod, 1/2" NPT
Extended Inlets & Plain Outlet

Drawn DHL	Checked KJG	Approved JHB
Scale: NTS		Date: 08/10/10