



T&S BRASS AND BRONZE WORKS, INC.

2 Saddleback Cove / P.O. Box 1088
Travelers Rest, SC 29690

Model No.

B-0651-06

Item No.

Travelers Rest, SC: 800-476-4103 • Simi Valley, CA: 800-423-0150 • Fax: 864-834-3518 • www.tsbrass.com



ADA Compliant

This Space for Architect/Engineer Approval

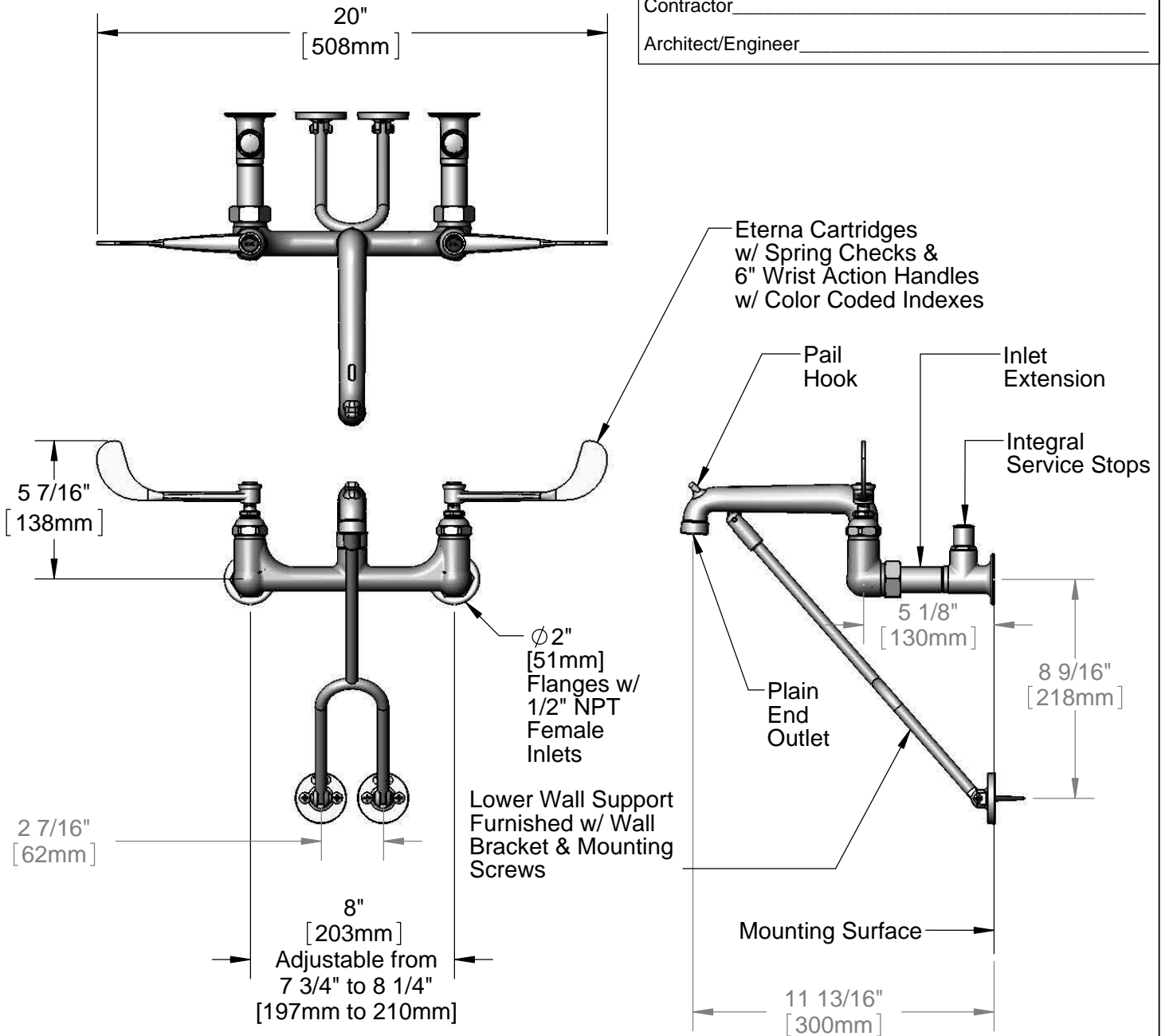
Job Name _____ Date _____

Model Specified _____ Quantity _____

Customer/Wholesaler _____

Contractor _____

Architect/Engineer _____



Product Specifications:

8" Wall Support Service Sink, Polished Chrome Finish, Eterna Cartridges w/ Spring Checks, 6" Wrist Action Handles, Spout w/ Plain End Outlet, Lower Wall Support Rod & 1/2" NPT Extended Inlets w/ Integral Stops

Product Compliance:

ASME A112.18.1 / CSA B125.1
NSF 61 - Section 9
NSF 372 (Low Lead Content)
ANSI A117.1 (ADA)



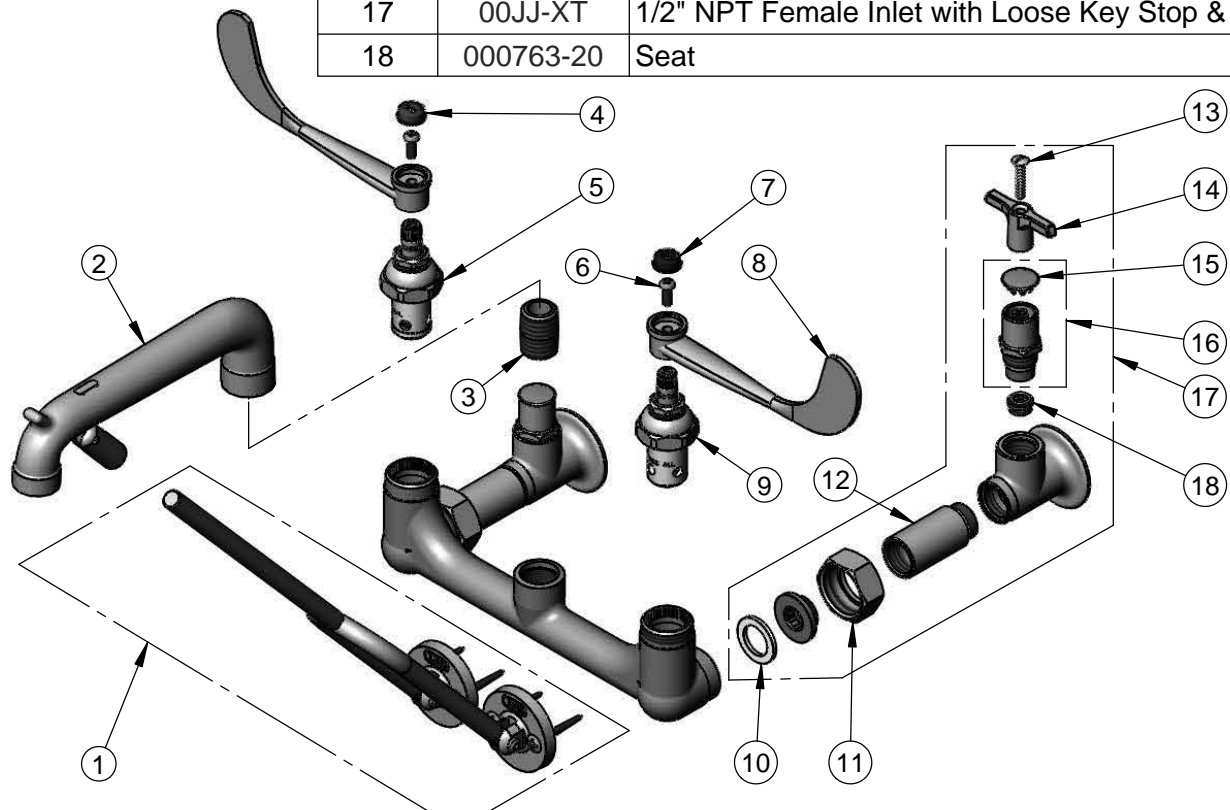
T&S BRASS AND BRONZE WORKS, INC.
 2 Saddleback Cove / P.O. Box 1088
 Travelers Rest, SC 29690

Model No.
B-0651-06

Item No.

Travelers Rest, SC: 800-476-4103 • Simi Valley, CA: 800-423-0150 • Fax: 864-834-3518 • www.tsbrass.com

ITEM NO.	SALES NO.	DESCRIPTION
1	009616-40	Lower Support Rod w/ Mounting Screws
2	016844-40	Plain End Spout w/ Lower Clevis - Polished Chrome
3	002534-25	Close Nipple, 1/2" NPT
4	001194-45	Red Index - HW
5	012443-40	Eterna Cartridge, RTC w/ Spring Check
6	000925-45	Lab Handle Screw
7	001686-45	Blue Index - CW
8	B-WH6	6" Wrist Action Handle
9	012442-40	Eterna Cartridge, LTC w/ Spring Check
10	001019-45	Coupling Nut Washer
11	000721-25	Flange Coupling Nut
12	000611-25	Extension, 1 3/4" Long
13	002432-45	Screw, Tee Handle
14	001802-45	Handle, Supply Stop "T"
15	001605-45	Cap
16	002892-40	Service Stop Spindle w/ Cap
17	00JJ-XT	1/2" NPT Female Inlet with Loose Key Stop & Extension
18	000763-20	Seat



Product Specifications:

8" Wall Support Service Sink, Polished Chrome Finish, Eterna Cartridges w/ Spring Checks, 6" Wrist Action Handles, Spout w/ Plain End Outlet, Lower Wall Support Rod & 1/2" NPT Extended Inlets w/ Integral Stops

Product Compliance:

ASME A112.18.1 / CSA B125.1
 NSF 61 - Section 9
 NSF 372 (Low Lead Content)
 ANSI A117.1 (ADA)