



# T&S BRASS AND BRONZE WORKS, INC.

2 Saddleback Cove / P.O. Box 1088  
Travelers Rest, SC 29690

Model No.

**B-0651-RGH**

Item No.

Travelers Rest, SC: 800-476-4103 • Simi Valley, CA: 800-423-0150 • Fax: 864-834-3518 • www.tsbrass.com



**ADA Compliant**

This Space for Architect/Engineer Approval

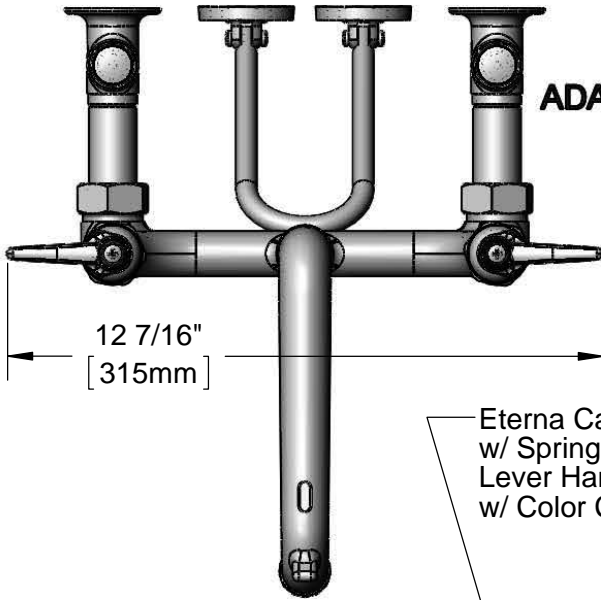
Job Name \_\_\_\_\_ Date \_\_\_\_\_

Model Specified \_\_\_\_\_ Quantity \_\_\_\_\_

Customer/Wholesaler \_\_\_\_\_

Contractor \_\_\_\_\_

Architect/Engineer \_\_\_\_\_



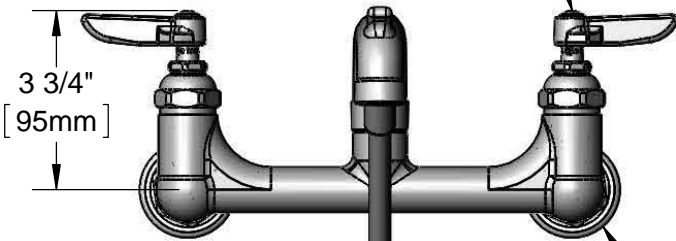
12 7/16"  
[315mm]

Eterna Cartridges  
w/ Spring Checks &  
Lever Handles  
w/ Color Coded Indexes

Integral  
Service Stops

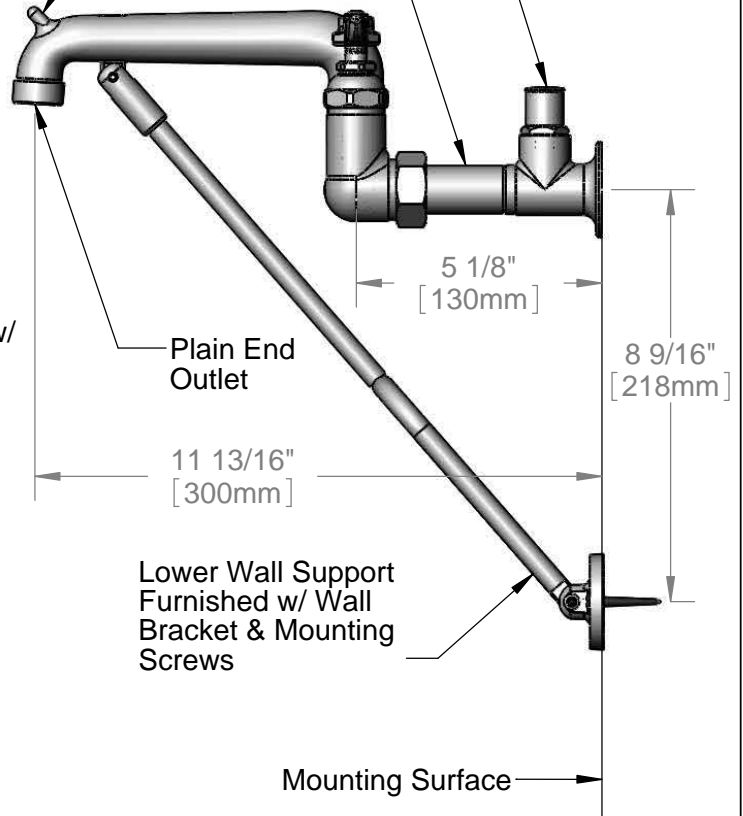
Inlet  
Extension

Pail  
Hook



3 3/4"  
[95mm]

Ø2"  
[51mm]  
Flanges w/  
1/2" NPT  
Female  
Inlets



5 1/8"  
[130mm]

Plain End  
Outlet

8 9/16"  
[218mm]

11 13/16"  
[300mm]

Lower Wall Support  
Furnished w/ Wall  
Bracket & Mounting  
Screws

Mounting Surface

2 7/16"  
[62mm]

8"  
[203mm]

Adjustable from  
7 3/4" to 8 1/4"  
[197mm to 210mm]

### Product Specifications:

8" Wall Support Service Sink, Rough Chrome Finish, Eterna Cartridges w/ Spring Checks, Lever Handles, Spout w/ Plain End Outlet, Lower Wall Support Rod & 1/2" NPT Extended Inlets w/ Integral Service Stops

### Product Compliance:

ASME A112.18.1 / CSA B125.1  
NSF 61 - Section 9  
NSF 372 (Low Lead Content)  
ANSI A117.1 (ADA)



# T&S BRASS AND BRONZE WORKS, INC.

2 Saddleback Cove / P.O. Box 1088  
Travelers Rest, SC 29690

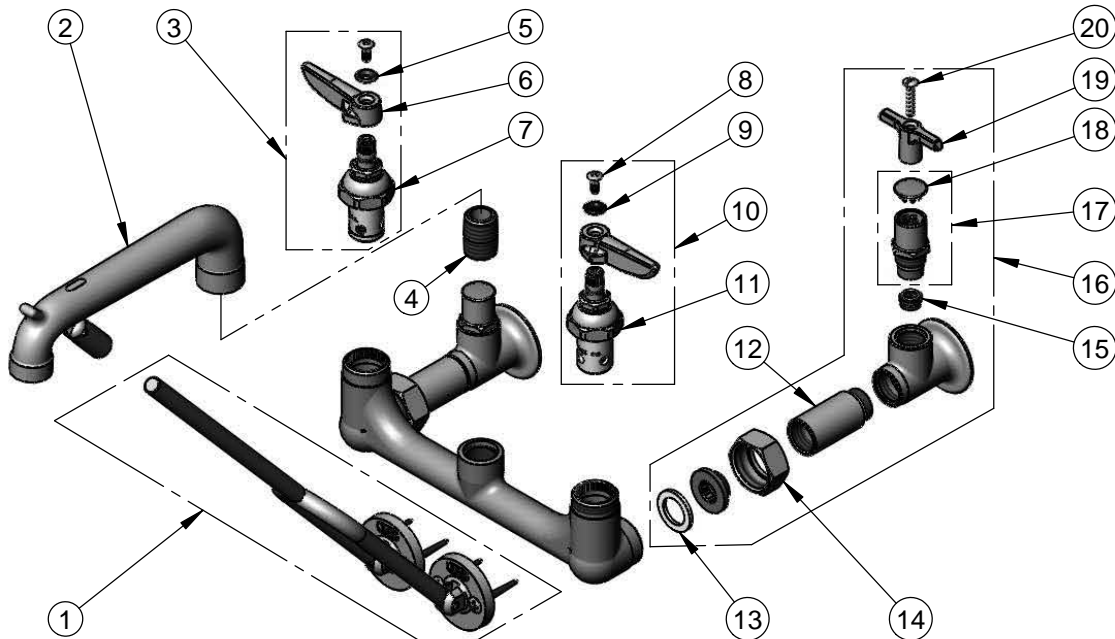
Model No.

**B-0651-RGH**

Item No.

Travelers Rest, SC: 800-476-4103 • Simi Valley, CA: 800-423-0150 • Fax: 864-834-3518 • www.tsbrass.com

ITEM NO.	SALES NO.	DESCRIPTION
1	009616-40	Lower Support Rod w/ Mounting Screws
2	016844-25	Plain End Spout w/ Lower Clevis - Rough Chrome
3	002712-40	Eterna Cartridge, RTC w/ Spring Check, Handle, Index & Screw
4	002534-25	Close Nipple, 1/2" NPT
5	001661-45	Red Index-HW
6	001638-45	Lever Handle
7	012443-40	Eterna Cartridge, RTC w/ Spring Check
8	000922-45	Lever Handle Screw
9	001660-45	Blue Index-CW
10	002711-40	Eterna Cartridge, LTC w/ Spring Check, Handle, Index & Screw
11	012442-40	Eterna Cartridge, LTC w/ Spring Check
12	000611-25	Extension, 1 3/4" Long
13	001019-45	Coupling Nut Washer
14	000721-25	Flange Coupling Nut
15	000763-20	Seat
16	00JJ-XT	1/2" NPT Female Inlet with Loose Key Stop & Extension
17	002892-40	Service Stop Spindle w/ Cap
18	001605-45	Cap
19	001802-45	Handle, Supply Stop "T"
20	002432-45	Screw, Tee Handle



**Product Specifications:**

8" Wall Support Service Sink, Rough Chrome Finish, Eterna Cartridges w/ Spring Checks, Lever Handles, Spout w/ Plain End Outlet, Lower Wall Support Rod & 1/2" NPT Extended Inlets w/ Integral Service Stops

**Product Compliance:**

ASME A112.18.1 / CSA B125.1  
NSF 61 - Section 9  
NSF 372 (Low Lead Content)  
ANSI A117.1 (ADA)