



T&S BRASS AND BRONZE WORKS, INC.

2 Saddleback Cove / P.O. Box 1088
Travelers Rest, SC 29690

Model No.

B-0652

Item No.

Travelers Rest, SC: 800-476-4103 • Simi Valley, CA: 800-423-0150 • Fax: 864-834-3518 • www.tsbrass.com

This Space for Architect/Engineer Approval

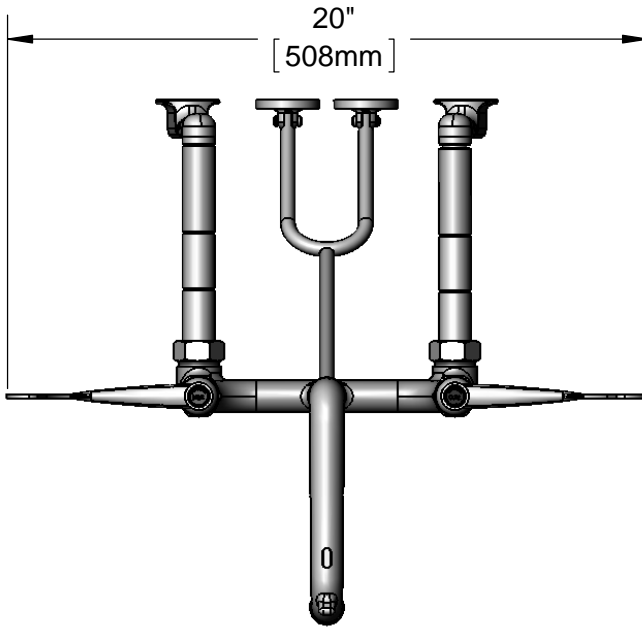
Job Name _____ Date _____

Model Specified _____ Quantity _____

Customer/Wholesaler _____

Contractor _____

Architect/Engineer _____



ADA Compliant

Eterna Cartridges w/
Spring Checks &
6" Wrist Action Handle
w/ Color Coded Indexes

Pail
Hook

Inlet
Extensions

Integral
Service Stop

Plain End
Outlet

Ø2" [51mm]
Adjustable
Flange w/
1/2" NPT
Female
Inlets

12 3/4"
[324mm]

15 15/16"
[404mm]

Lower Wall Support
Furnished w/ Wall Bracket
& Mounting Screws

Mounting Surface

5 5/8"
[143mm]

2 7/16"
[62mm]

Inlets Adjustable
from 3 1/4" [83mm]
to 12 3/4" [324mm]
Below or Above
Centerline

Product Specifications:

8" Wall Mount Service Sink Faucet, Polished Chrome Finish, Eterna Cartridges w/ Spring Checks, 6" Wrist Action Handles, Spout w/ Plain End Outlet, Built-In Service Stops, Lower Support Rod & 1/2" NPT Extended Inlets

Product Compliance:

ASME A112.18.1 / CSA B125.1
NSF 61 - Section 9
NSF 372 (Low Lead Content)
ANSI A117.1 (ADA)



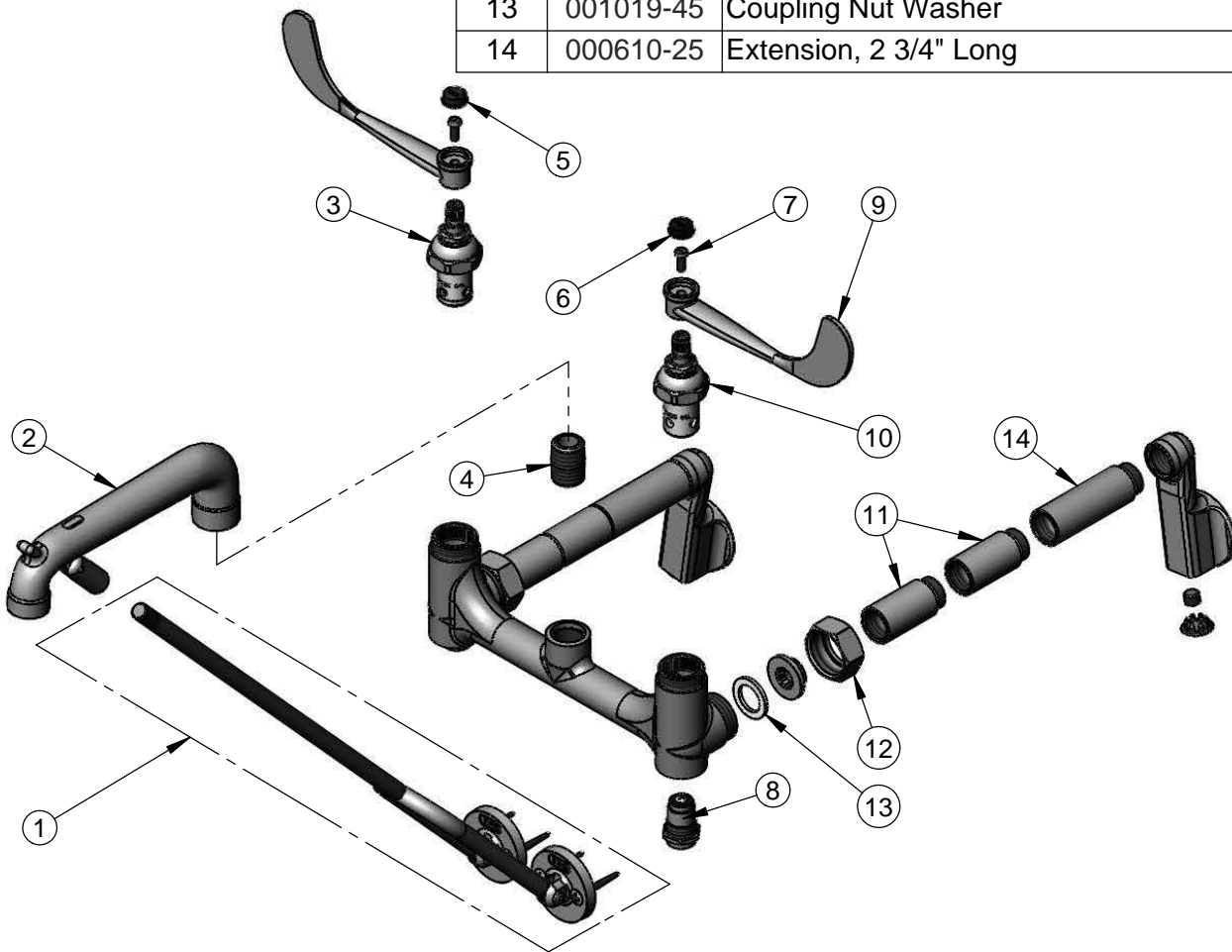
T&S BRASS AND BRONZE WORKS, INC.
 2 Saddleback Cove / P.O. Box 1088
 Travelers Rest, SC 29690

Model No.
B-0652

Item No.

Travelers Rest, SC: 800-476-4103 • Simi Valley, CA: 800-423-0150 • Fax: 864-834-3518 • www.tsbrass.com

| ITEM NO. | SALES NO. | DESCRIPTION |
|----------|-----------|---|
| 1 | 015476-40 | Lower Support Rod w/ Mounting Screws |
| 2 | 016844-40 | Plain End Spout w/ Lower Clevis - Polished Chrome |
| 3 | 012443-40 | Eterna Cartridge, RTC w/ Spring Check |
| 4 | 002534-25 | Close Nipple, 1/2" NPT |
| 5 | 001194-45 | Red Index - HW |
| 6 | 001686-45 | Blue Index - CW |
| 7 | 000925-45 | Lab Handle Screw |
| 8 | 163A | Built-in Screwdriver Stops |
| 9 | B-WH6 | 6" Wrist Action Handle |
| 10 | 012442-40 | Eterna Cartridge, LTC w/ Spring Check |
| 11 | 000611-25 | Extension, 1 3/4" Long |
| 12 | 000721-25 | Flange Coupling Nut |
| 13 | 001019-45 | Coupling Nut Washer |
| 14 | 000610-25 | Extension, 2 3/4" Long |



Product Specifications:

8" Wall Mount Service Sink Faucet, Polished Chrome Finish, Eterna Cartridges w/ Spring Checks, 6" Wrist Action Handles, Spout w/ Plain End Outlet, Built-In Service Stops, Lower Support Rod & 1/2" NPT Extended Inlets

Product Compliance:

ASME A112.18.1 / CSA B125.1
 NSF 61 - Section 9
 NSF 372 (Low Lead Content)
 ANSI A117.1 (ADA)