



T&S BRASS AND BRONZE WORKS, INC.

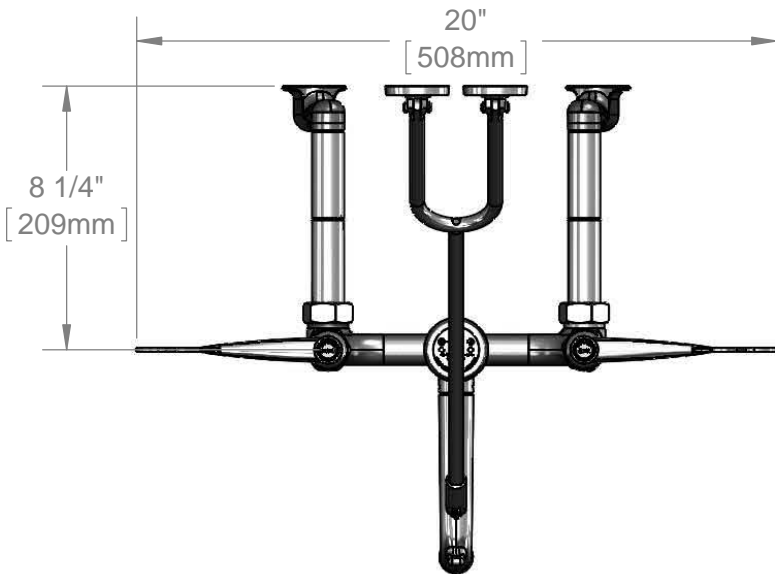
2 Saddleback Cove / P.O. Box 1088
Travelers Rest, SC 29690

Model No.

B-0655-04

Item No.

Travelers Rest, SC: 800-476-4103 • Simi Valley, CA: 800-423-0150 • Fax: 864-834-3518 • www.tsbrass.com



This Space for Architect/Engineer Approval

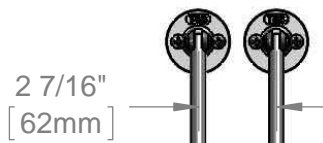
Job Name _____ Date _____

Model Specified _____ Quantity _____

Customer/Wholesaler _____

Contractor _____

Architect/Engineer _____



Upper Wall Support Rod w/ Mounting Screws

Eterna Cartridges w/ Spring Checks & 6" Wrist Action Handle w/ Color Coded Indexes

B-0969 1/2" NPT Vacuum Breaker

5 7/16" [138mm]

19 3/16" [487mm]

Extensions

3/4-11 1/2 Garden Hose Male Thread

14 11/16" [374mm]

Ø 2" [51mm] Flanges w/ 1/2" NPT Female Inlets

Inlets Adjustable From 3 1/4" [83mm] to 12 3/4" [324mm] Below or Above Centerline

Built-In Screwdriver Service Stop

Product Specifications:

8" Wall Mount Service Sink Mixing Faucet, Polished Chrome Finish, Eterna Cartridges w/ Spring Checks, 6" Wrist Action Handles, 1/2" NPT Vacuum Breaker, Upper Support Rod, Garden Hose Outlet & 1/2" NPT Extended Adjustable Inlets

Drawn

DHL

Checked

GEF

Approved

JHB

Scale:

1:6

Date:

07/22/13



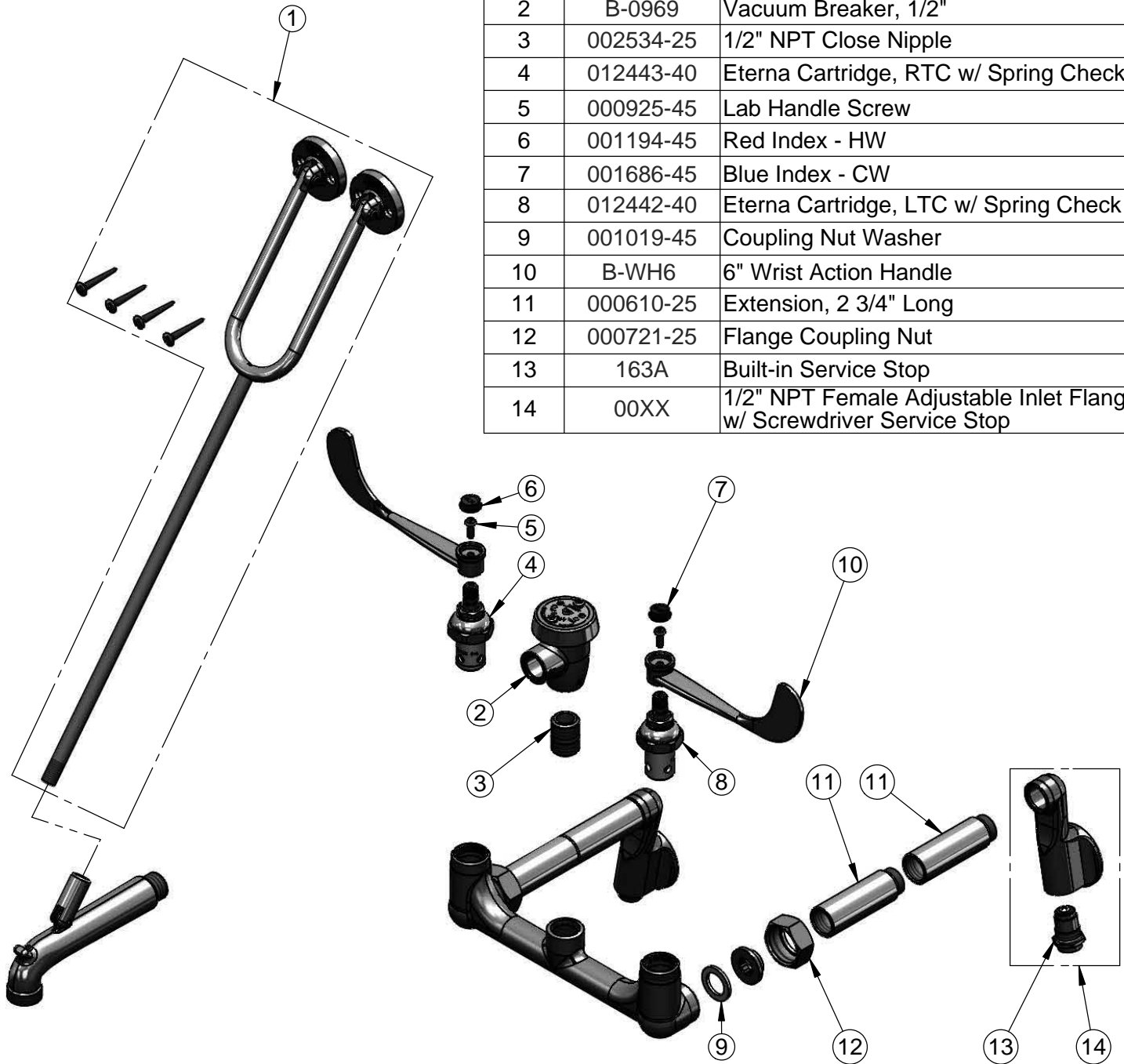
T&S BRASS AND BRONZE WORKS, INC.
 2 Saddleback Cove / P.O. Box 1088
 Travelers Rest, SC 29690

Model No.
B-0655-04

Item No.

Travelers Rest, SC: 800-476-4103 • Simi Valley, CA: 800-423-0150 • Fax: 864-834-3518 • www.tsbrass.com

ITEM NO.	SALES NO.	DESCRIPTION
1	015476-40	Lower Support Rod w/ Mounting Screws
2	B-0969	Vacuum Breaker, 1/2"
3	002534-25	1/2" NPT Close Nipple
4	012443-40	Eterna Cartridge, RTC w/ Spring Check
5	000925-45	Lab Handle Screw
6	001194-45	Red Index - HW
7	001686-45	Blue Index - CW
8	012442-40	Eterna Cartridge, LTC w/ Spring Check
9	001019-45	Coupling Nut Washer
10	B-WH6	6" Wrist Action Handle
11	000610-25	Extension, 2 3/4" Long
12	000721-25	Flange Coupling Nut
13	163A	Built-in Service Stop
14	00XX	1/2" NPT Female Adjustable Inlet Flange w/ Screwdriver Service Stop



Product Specifications:

8" Wall Mount Service Sink Mixing Faucet, Polished Chrome Finish, Eterna Cartridges w/ Spring Checks, 6" Wrist Action Handles, 1/2" NPT Vacuum Breaker, Upper Support Rod, Garden Hose Outlet & 1/2" NPT Extended Adjustable Inlets

Drawn

DHL

Checked

GEF

Approved

JHB

Scale:

NTS

Date:

07/22/13