



T&S BRASS AND BRONZE WORKS, INC.

2 Saddleback Cove / P.O. Box 1088
Travelers Rest, SC 29690

Model No.

B-0655-BSTP-CR

Item No.

Travelers Rest, SC: 800-476-4103 • Simi Valley, CA: 800-423-0150 • Fax: 864-834-3518 • www.tsbrass.com



ADA Compliant

This Space for Architect/Engineer Approval

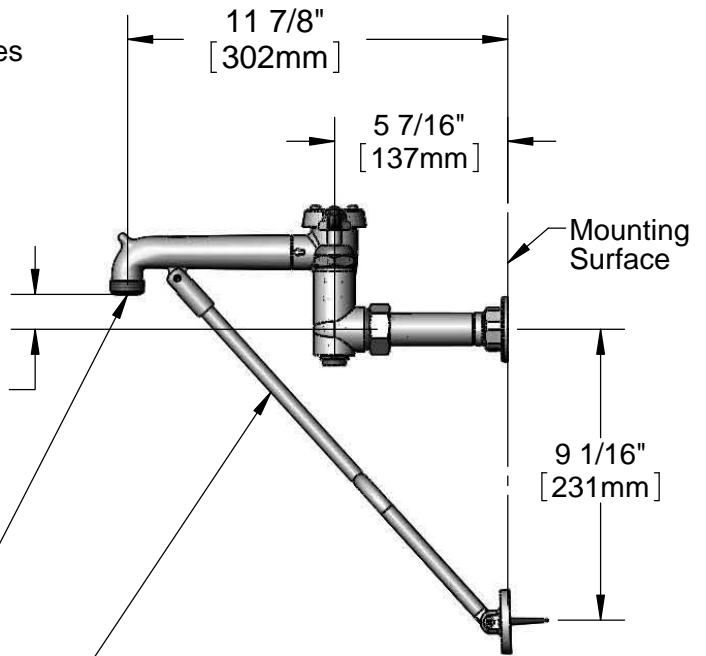
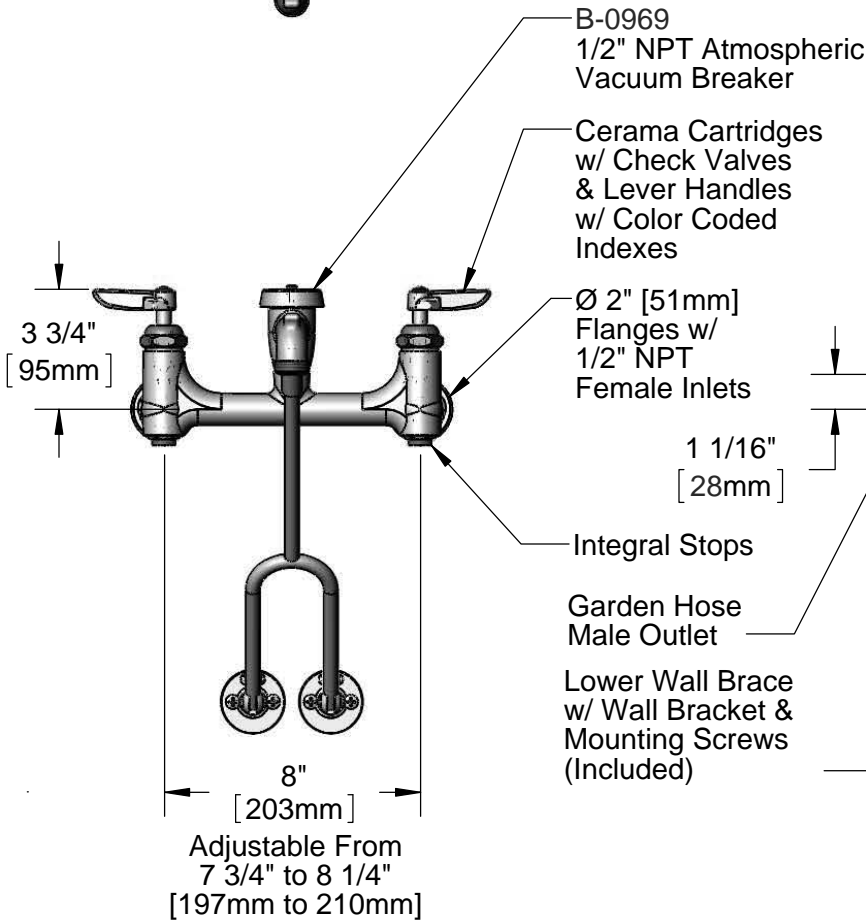
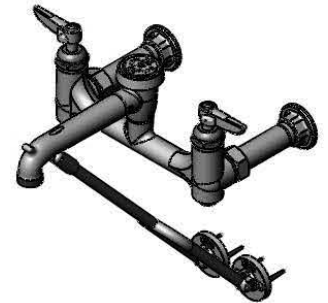
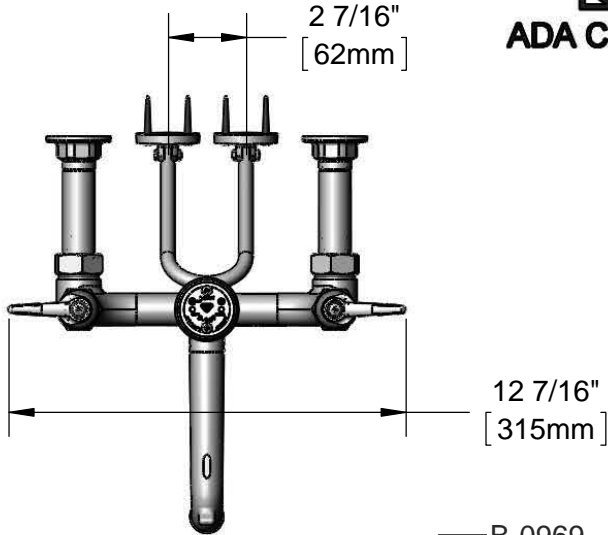
Job Name _____ Date _____

Model Specified _____ Quantity _____

Customer/Wholesaler _____

Contractor _____

Architect/Engineer _____



Product Specifications:

Service Sink Faucet, Polished Chrome Finish, Built-In Stops, Cerama Cartridges w/ Check Valves, Lever Handles, Lower Wall Brace, 1/2" NPT Female Extended Inlets & Garden Hose Outlet

Drawn

KJG

Checked

DHL

Approved

JHB

Scale:

1:6

Date:

01/11/13



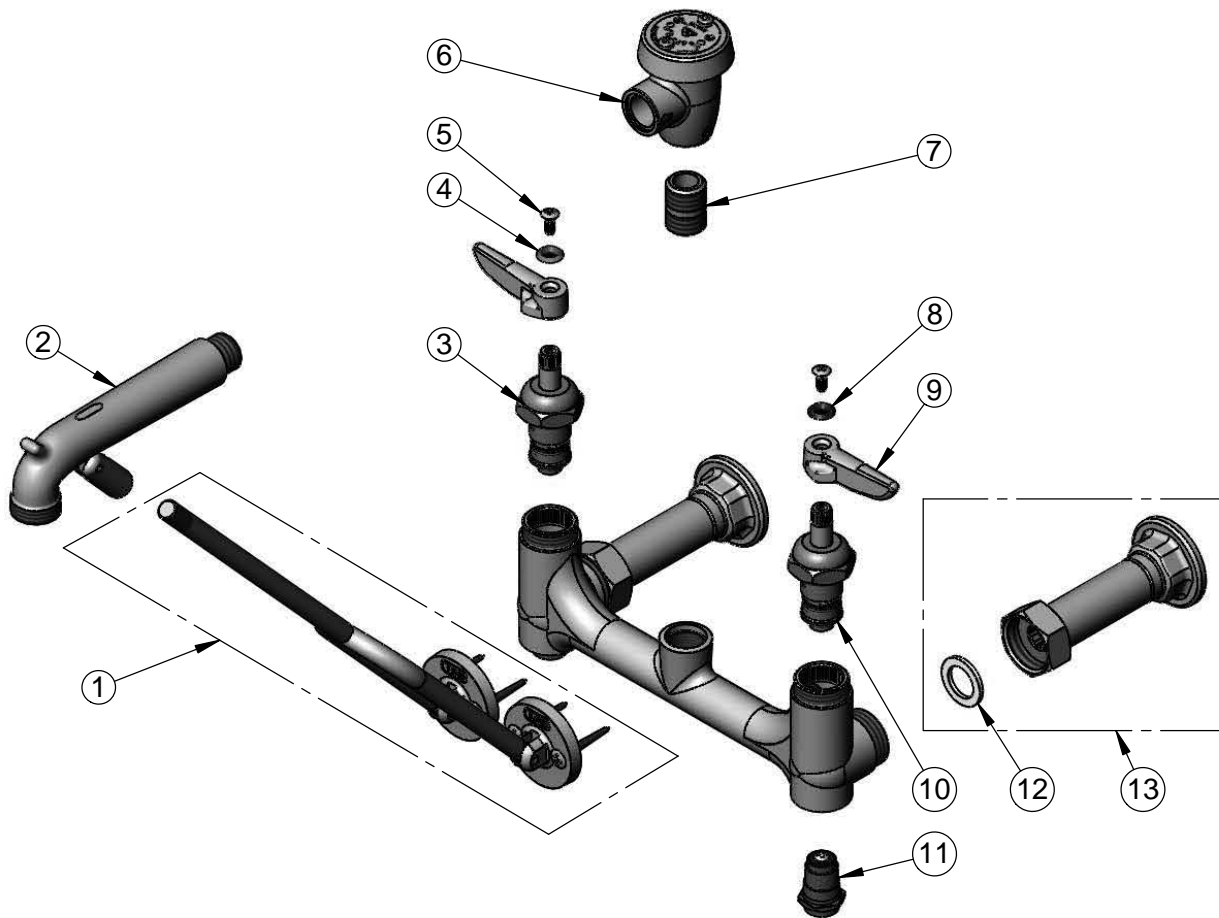
T&S BRASS AND BRONZE WORKS, INC.
 2 Saddleback Cove / P.O. Box 1088
 Travelers Rest, SC 29690

Model No.
B-0655-BSTP-CR

Item No.

Travelers Rest, SC: 800-476-4103 • Simi Valley, CA: 800-423-0150 • Fax: 864-834-3518 • www.tsbrass.com

ITEM NO.	SALES NO.	DESCRIPTION
1	009616-40	Lower Support Rod w/ Mounting Screws
2	016450-25	Spout w/ Bottom Support Clevis, Rough Chrome
3	012394-25	Cerama Cartridge, RTC w/ Bonnet & Check Valve
4	001661-45	Red Index-HW
5	000922-45	Lever Handle Screw
6	B-0969	1/2" NPT Vacuum Breaker
7	002534-25	Close Nipple, 1/2" NPT, Heavy Wall, Rough Chrome
8	001660-45	Blue Index-CW
9	001638-45	Lever Handle
10	012395-45	Cerama Cartridge, LTC w/ Bonnet & Check Valve
11	163A	Built-in Service Stop
12	001019-45	Coupling Nut Washer
13	B-0441	Inlet Extension, 1/2" NPT Female x 4" Long



Product Specifications:

Service Sink Faucet, Polished Chrome Finish, Built-In Stops, Cerama Cartridges w/ Check Valves, Lever Handles, Lower Wall Brace, 1/2" NPT Female Extended Inlets & Garden Hose Outlet

Drawn

KJG

Checked

DHL

Approved

JHB

Scale:

NTS

Date:

01/11/13