



# T&S BRASS AND BRONZE WORKS, INC.

2 Saddleback Cove / P.O. Box 1088  
Travelers Rest, SC 29690

Model No.

**B-0655-BSTP**

Item No.

Travelers Rest, SC: 800-476-4103 • Simi Valley, CA: 800-423-0150 • Fax: 864-834-3518 • www.tsbrass.com



**ADA Compliant**

This Space for Architect/Engineer Approval

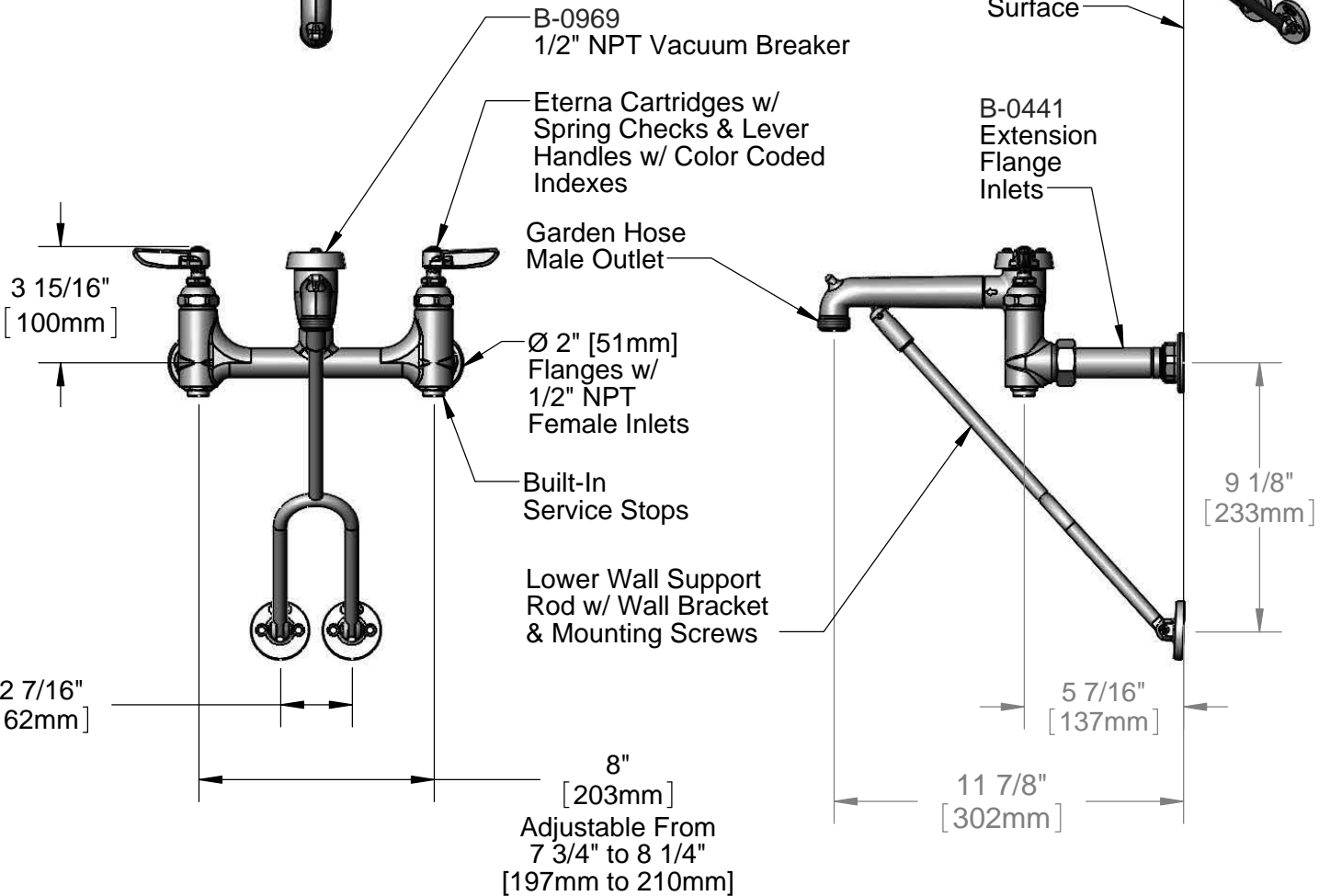
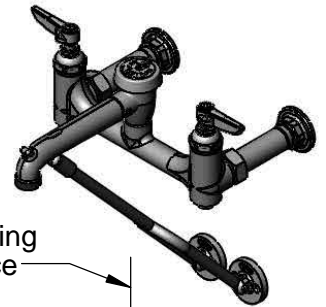
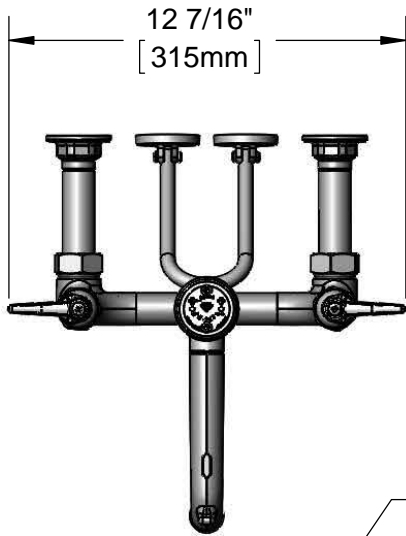
Job Name \_\_\_\_\_ Date \_\_\_\_\_

Model Specified \_\_\_\_\_ Quantity \_\_\_\_\_

Customer/Wholesaler \_\_\_\_\_

Contractor \_\_\_\_\_

Architect/Engineer \_\_\_\_\_



**Product Specifications:**

8" Service Sink Faucet, Eterna Cartridges w/ Spring Checks, Lever Handles, Lower Support Rod, Built-In Stops, Garden Hose Male Outlet, Polished Chrome Finish, 1/2" NPT Vacuum Breaker & 1/2" NPT Female Extended Inlets

**Product Compliance:**

ASME A112.18.1 / CSA B125.1  
NSF 61-Section 9  
NSF 372 (Low Lead Content)  
ANSI A117.1 (ADA)  
ASSE 1001 (VB)



# T&S BRASS AND BRONZE WORKS, INC.

2 Saddleback Cove / P.O. Box 1088  
Travelers Rest, SC 29690

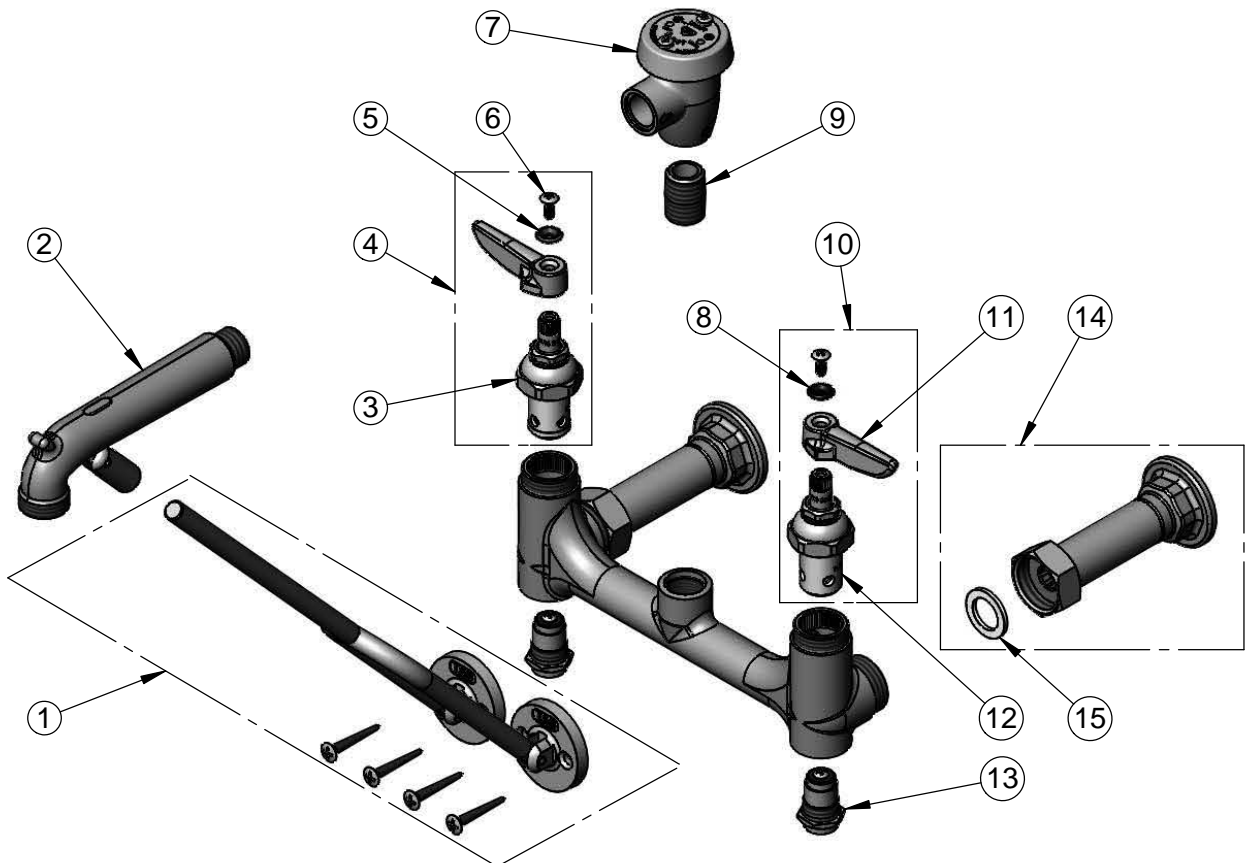
Model No.

**B-0655-BSTP**

Item No.

Travelers Rest, SC: 800-476-4103 • Simi Valley, CA: 800-423-0150 • Fax: 864-834-3518 • www.tsbrass.com

ITEM NO.	SALES NO.	DESCRIPTION
1	009616-40	Lower Wall Support w/ Mounting Screws
2	016450-40	Spout, Polished Chrome w/ Bottom Support Clevis
3	012443-40	Eterna Cartridge, RTC w/ Spring Check
4	002712-40	Eterna Cartridge, RTC w/ Spring Check, Handle, Index & Screw
5	001661-45	Red Index-HW
6	000922-45	Lever Handle Screw
7	B-0969	1/2" NPT Vacuum Breaker
8	001660-45	Blue Index-CW
9	002534-25	Close Nipple, 1/2" NPT
10	002711-40	Eterna Cartridge, LTC w/ Spring Check, Handle, Index & Screw
11	001638-45	Lever Handle
12	012442-40	Eterna Cartridge, LTC w/ Spring Check
13	163A	Built-in Service Stop
14	B-0441	1/2" x 4" Extension Flange Inlet
15	001019-45	Coupling Nut Washer



**Product Specifications:**

8" Service Sink Faucet, Eterna Cartridges w/ Spring Checks, Lever Handles, Lower Support Rod, Built-In Stops, Garden Hose Male Outlet, Polished Chrome Finish, 1/2" NPT Vacuum Breaker & 1/2" NPT Female Extended Inlets

**Product Compliance:**

ASME A112.18.1 / CSA B125.1  
NSF 61-Section 9  
NSF 372 (Low Lead Content)  
ANSI A117.1 (ADA)  
ASSE 1001 (VB)