



T&S BRASS AND BRONZE WORKS, INC.

2 Saddleback Cove / P.O. Box 1088
Travelers Rest, SC 29690



REG. #A2601
ISO #9001

Model No.

B-0655-RGH

Item No.

Travelers Rest, SC: 800-476-4103 Simi Valley, CA: 800-423-0150 Fax: 864-834-3518 www.tsbrass.com

This Space for Architect/Engineer Approval

Job Name _____ Date _____

Model Specified _____ Quantity _____

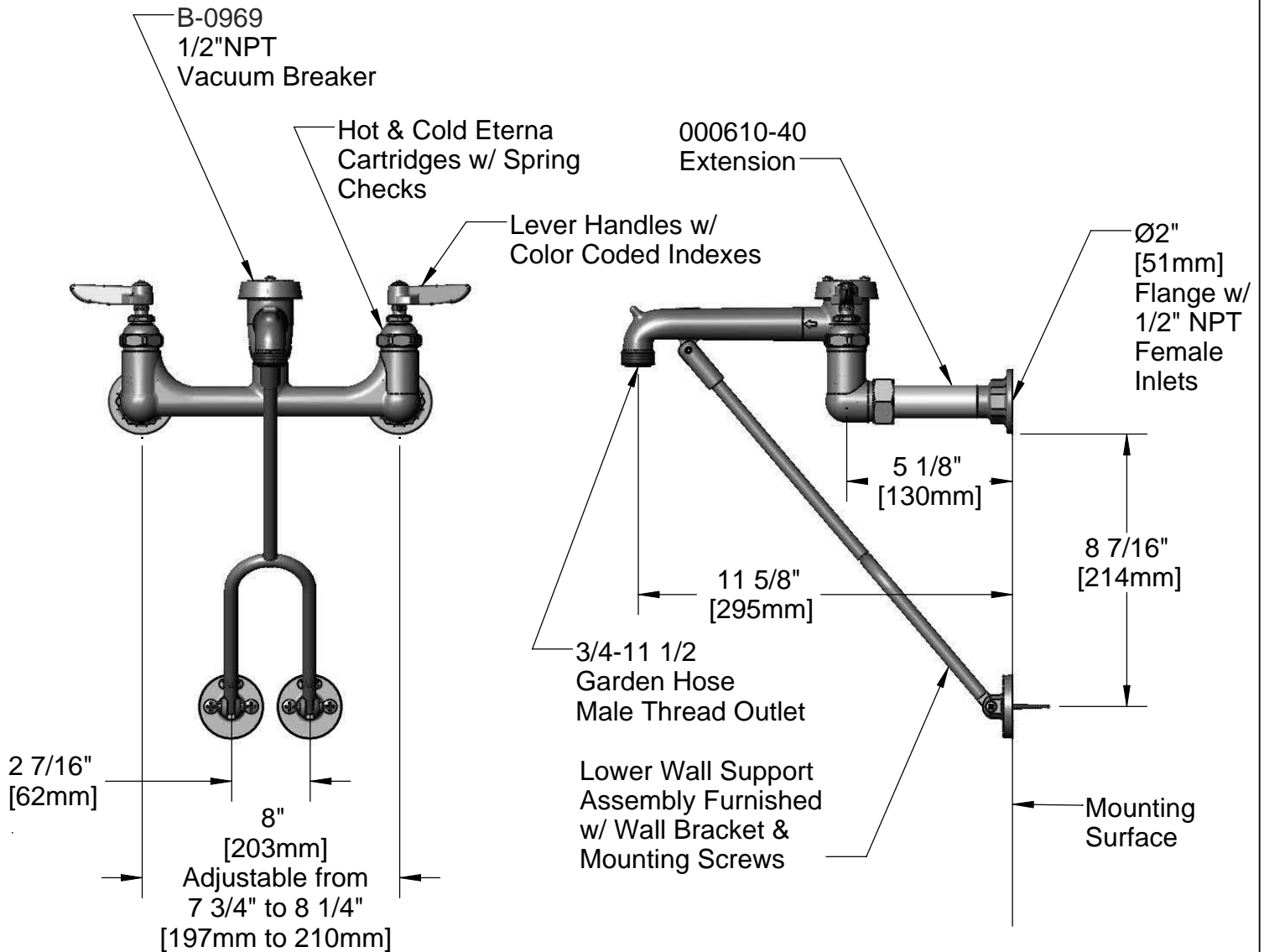
Customer/Wholesaler _____

Contractor _____

Architect/Engineer _____



ADA Compliant



Product Specifications:

8" Wall Support Service Sink, Rough Chrome Finish,
1/2" NPT Vacuum Breaker, Lever Handles, Lower Support
Rod, 1/2" NPT Extended Inlets & Garden Hose Outlet

Drawn
DHL

Checked
KJG

Approved
JHB

Scale:

NTS

Date:

02/10/09



T&S BRASS AND BRONZE WORKS, INC.

2 Saddleback Cove / P.O. Box 1088
Travelers Rest, SC 29690



REG. #A2601
ISO #9001

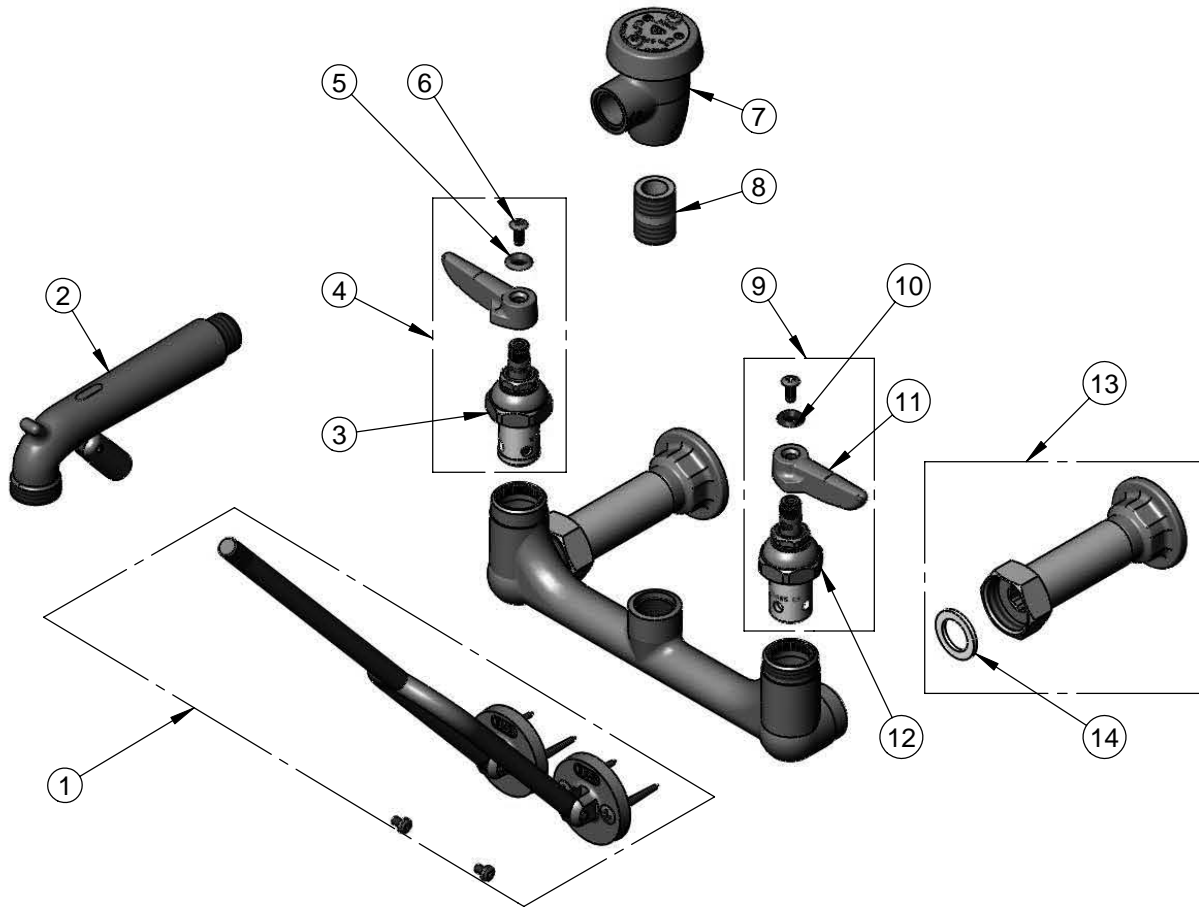
Model No.

B-0655-RGH

Item No.

Travelers Rest, SC: 800-476-4103 Simi Valley, CA: 800-423-0150 Fax: 864-834-3518 www.tsbrass.com

ITEM NO.	SALES NO.	DESCRIPTION
1	009616-40	Lower Wall Support Assembly w/ Mounting Screws
2	016450-25	Spout Assembly Rough Chrome w/ Bottom Support Clevis
3	012443-40	Hot Eterna Spindle Assembly w/ Spring Check
4	002712-40	Hot Eterna Sindle Assembly w/ Spring Check, Handle, Index & Screw
5	001661-45	Red Index-HW
6	000922-45	Lever Handle Screw
7	B-0969	Vacuum Breaker, 1/2"
8	002534-25	Close Nipple, 1/2" x 1 5/32" Lg Rough Chrome
9	002711-40	Cold Eterna Sindle Assembly w/ Spring Check, Handle, Index & Screw
10	001660-45	Blue Index-CW
11	001638-45	Lever Handle
12	012442-40	Cold Eterna Spindle Assembly w/ Spring Check
13	B-0441	1/2" x 4" Extension Flange Inlet
14	001019-45	Coupling Nut Washer



Product Specifications:

8" Wall Support Service Sink, Rough Chrome Finish,
1/2" NPT Vacuum Breaker, Lever Handles, Lower Support
Rod, 1/2" NPT Extended Inlets & Garden Hose Outlet

Drawn
DHL

Checked
KJG

Approved
JHB

Scale:

NTS

Date:

02/10/09