



# T&S BRASS AND BRONZE WORKS, INC.

2 Saddleback Cove / P.O. Box 1088  
Travelers Rest, SC 29690

Model No.

**B-0657**

Item No.

Travelers Rest, SC: 800-476-4103 • Simi Valley, CA: 800-423-0150 • Fax: 864-834-3518 • www.tsbrass.com



**ADA Compliant**

This Space for Architect/Engineer Approval

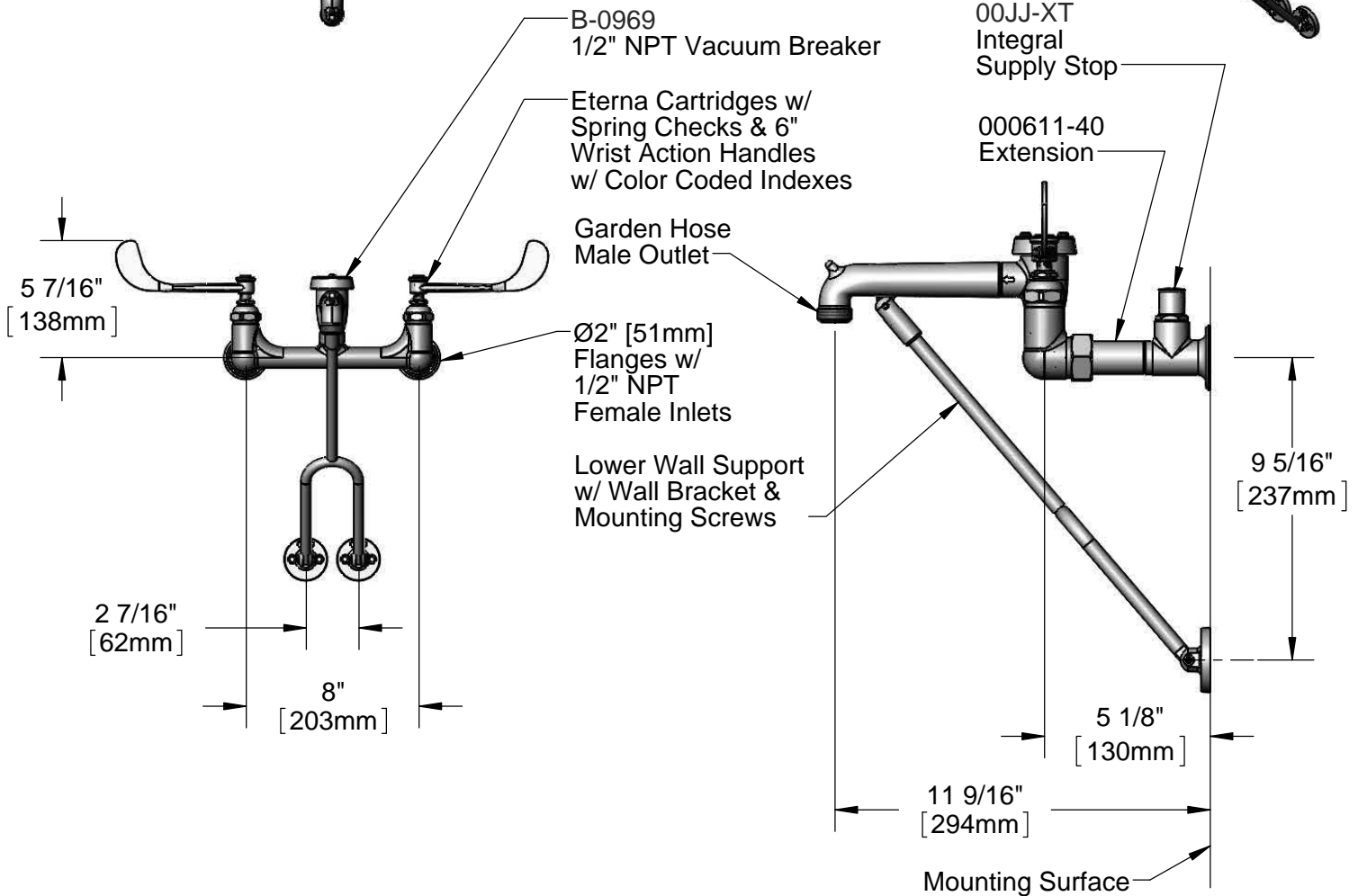
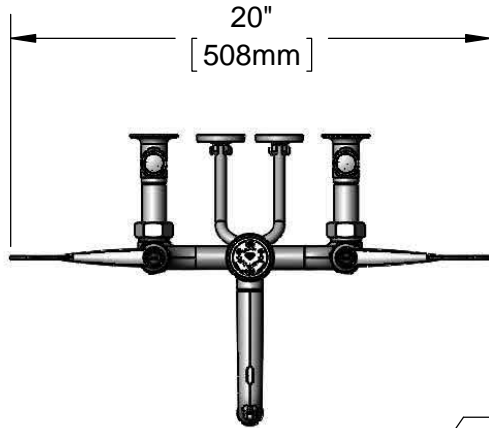
Job Name \_\_\_\_\_ Date \_\_\_\_\_

Model Specified \_\_\_\_\_ Quantity \_\_\_\_\_

Customer/Wholesaler \_\_\_\_\_

Contractor \_\_\_\_\_

Architect/Engineer \_\_\_\_\_



**Product Specifications:**

8" Wall Mount Service Sink Faucet, Eterna Cartridges w/ Spring Checks, 6" Wrist Action Handles, Lower Support Rod, Garden Hose Male Outlet, Polish Chrome Finish, 1/2" Vacuum Breaker & 1/2" NPT Extended Inlets w/ Integral Stops

**Product Compliance:**

ASME A112.18.1 / CSA B125.1  
NSF 61 Exempt (Non-Potable)  
ANSI A117.1 (ADA)  
ASSE 1001 (VB)



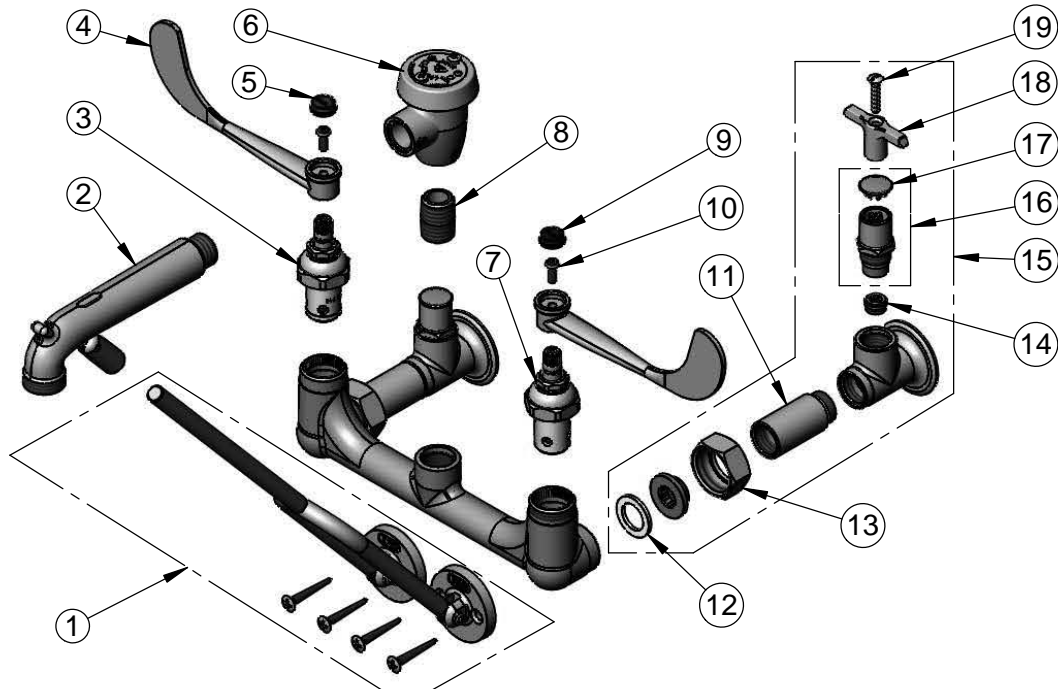
**T&S BRASS AND BRONZE WORKS, INC.**  
 2 Saddleback Cove / P.O. Box 1088  
 Travelers Rest, SC 29690

Model No.  
**B-0657**

Item No.

Travelers Rest, SC: 800-476-4103 • Simi Valley, CA: 800-423-0150 • Fax: 864-834-3518 • www.tsbrass.com

ITEM NO.	SALES NO.	DESCRIPTION
1	009616-40	Lower Support Rod w/ Mounting Screws
2	016450-40	Spout w/ Male GH Outlet & Lower Clevis - Polished Chrome
3	012443-40	Eterna Cartridge, RTC w/ Spring Check
4	B-WH6	6" Wrist Action Handle
5	001194-45	Red Index - HW
6	B-0969	1/2" NPT Vacuum Breaker
7	012442-40	Eterna Cartridge, LTC w/ Spring Check
8	002534-25	Close Nipple, 1/2" NPT
9	001686-45	Blue Index - CW
10	000925-45	Lab Handle Screw
11	000611-25	Extension, 1 3/4" Long
12	001019-45	Coupling Nut Washer
13	000721-25	Flange Coupling Nut
14	000763-20	Seat
15	00JJ-XT	1/2" NPT Female Inlet with Loose Key Stop & Extension
16	002892-40	Service Stop Spindle w/ Cap
17	001605-45	Cap
18	001802-45	Handle, Supply Stop Tee
19	002432-45	Screw, Tee Handle



**Product Specifications:**

8" Wall Mount Service Sink Faucet, Eterna Cartridges w/ Spring Checks, 6" Wrist Action Handles, Lower Support Rod, Garden Hose Male Outlet, Polish Chrome Finish, 1/2" Vacuum Breaker & 1/2" NPT Extended Inlets w/ Integral Stops

**Product Compliance:**

ASME A112.18.1 / CSA B125.1  
 NSF 61 Exempt (Non-Potable)  
 ANSI A117.1 (ADA)  
 ASSE 1001 (VB)