



# T&S BRASS AND BRONZE WORKS, INC.

2 Saddleback Cove / P.O. Box 1088  
Travelers Rest, SC 29690

Model No.

**B-0658**

Item No.

Travelers Rest, SC: 800-476-4103 • Simi Valley, CA: 800-423-0150 • Fax: 864-834-3518 • www.tsbrass.com



**ADA Compliant**

This Space for Architect/Engineer Approval

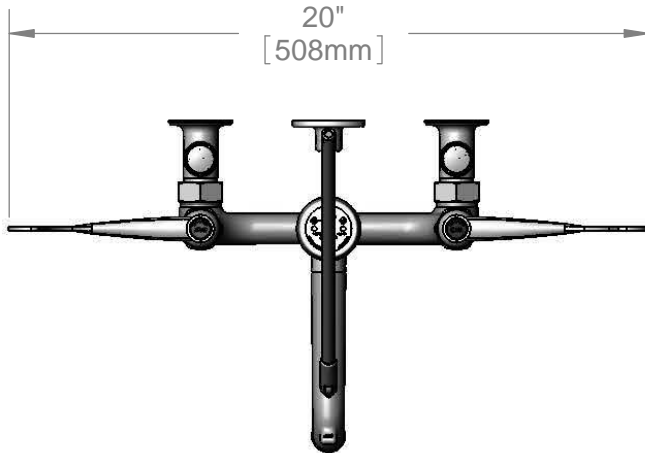
Job Name \_\_\_\_\_ Date \_\_\_\_\_

Model Specified \_\_\_\_\_ Quantity \_\_\_\_\_

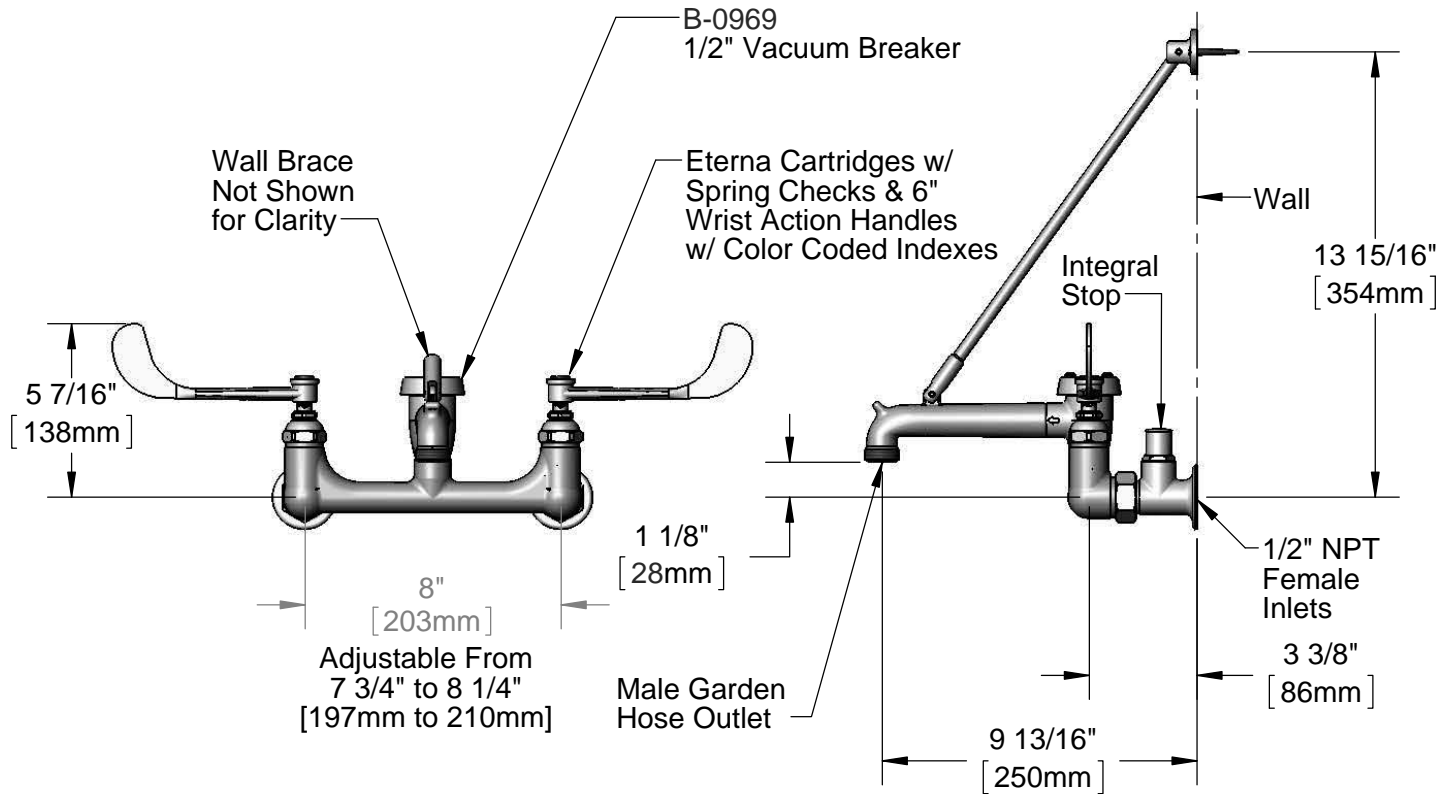
Customer/Wholesaler \_\_\_\_\_

Contractor \_\_\_\_\_

Architect/Engineer \_\_\_\_\_



Support Rod Furnished  
w/ Wall Bracket and  
Mounting Screws



**Product Specifications:**

8" Wall Mount Service Sink Faucet, Eterna Cartridges w/ Spring Checks, 6" Wrist Action Handles, Upper Support Rod, Male Garden Hose Outlet, Polished Chrome Finish, Integral Stops, 1/2" NPT Vacuum Breaker & 1/2" NPT Female Inlets

**Product Compliance:**

ASME A112.18.1 / CSA B125.1  
NSF 61 - Section 9  
NSF 372 (Low Lead Content)  
ANSI A117.1 (ADA)  
ASSE 1001 (VB)



# T&S BRASS AND BRONZE WORKS, INC.

2 Saddleback Cove / P.O. Box 1088  
Travelers Rest, SC 29690

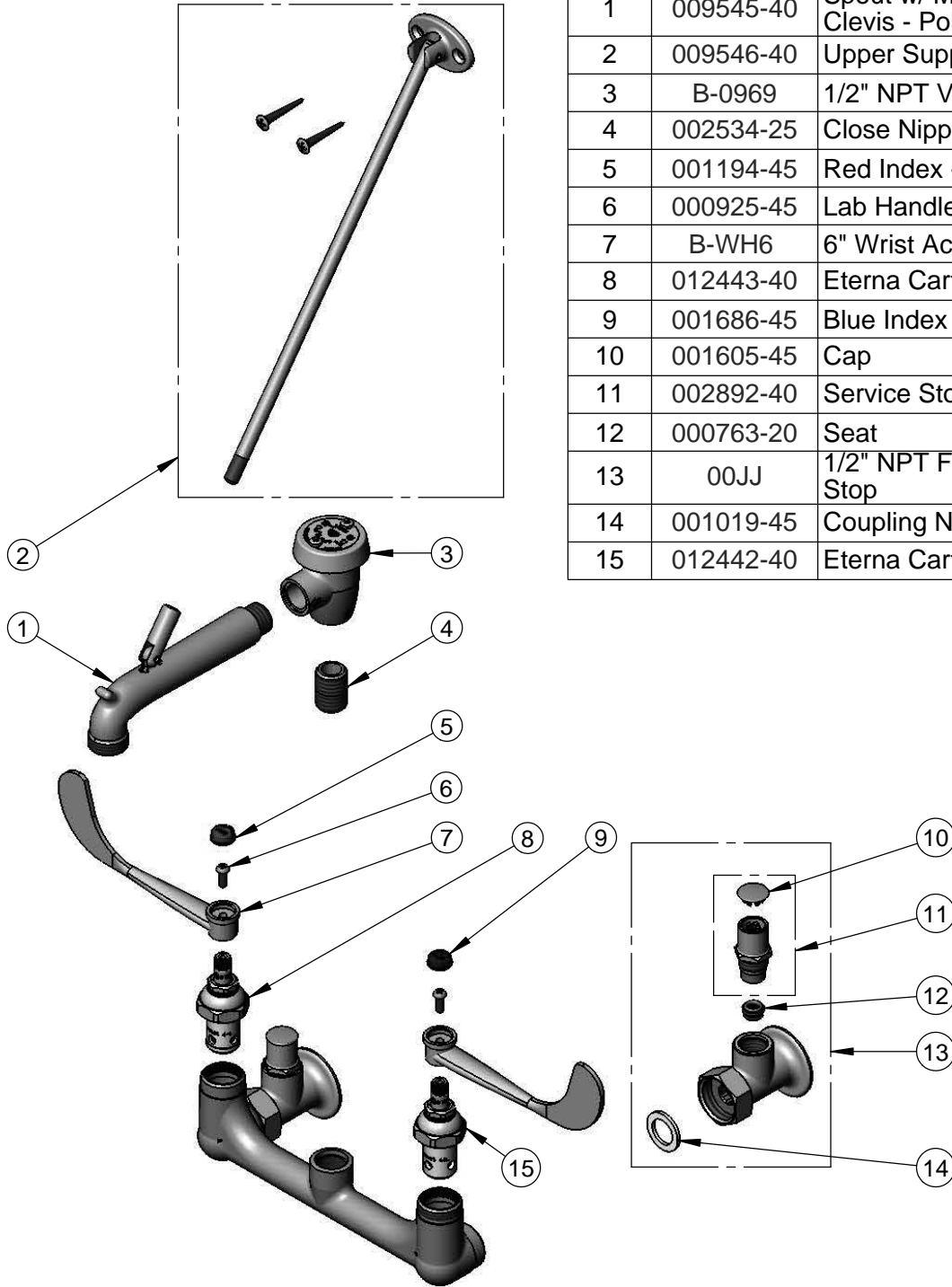
Model No.

**B-0658**

Item No.

Travelers Rest, SC: 800-476-4103 • Simi Valley, CA: 800-423-0150 • Fax: 864-834-3518 • www.tsbrass.com

| ITEM NO. | SALES NO. | DESCRIPTION  |
|----------|-----------|--|
| 1        | 009545-40 | Spout w/ Male GH Outlet & Upper Clevis - Polished Chrome |
| 2        | 009546-40 | Upper Support Rod  |
| 3        | B-0969    | 1/2" NPT Vacuum Breaker                                  |
| 4        | 002534-25 | Close Nipple, 1/2" NPT                                   |
| 5        | 001194-45 | Red Index - HW   |
| 6        | 000925-45 | Lab Handle Screw </td                                    |
| 7        | B-WH6     | 6" Wrist Action Handle                                   |
| 8        | 012443-40 | Eterna Cartridge, RTC w/ Spring Check                    |
| 9        | 001686-45 | Blue Index - CW  |
| 10       | 001605-45 | Cap  |
| 11       | 002892-40 | Service Stop Spindle w/ Cap                              |
| 12       | 000763-20 | Seat   |
| 13       | 00JJ      | 1/2" NPT Female Inlet w/ Loose Key Stop                  |
| 14       | 001019-45 | Coupling Nut Washer                                      |
| 15       | 012442-40 | Eterna Cartridge, LTC w/ Spring Check                    |



**Product Specifications:**

8" Wall Mount Service Sink Faucet, Eterna Cartridges w/ Spring Checks, 6" Wrist Action Handles, Upper Support Rod, Male Garden Hose Outlet, Polished Chrome Finish, Integral Stops, 1/2" NPT Vacuum Breaker & 1/2" NPT Female Inlets

**Product Compliance:**

ASME A112.18.1 / CSA B125.1  
NSF 61 - Section 9  
NSF 372 (Low Lead Content)  
ANSI A117.1 (ADA)  
ASSE 1001 (VB)