



T&S BRASS AND BRONZE WORKS, INC.

2 Saddleback Cove / P.O. Box 1088
Travelers Rest, SC 29690

Model No.

B-0662

Item No.

Travelers Rest, SC: 800-476-4103 • Simi Valley, CA: 800-423-0150 • Fax: 864-834-3518 • www.tsbrass.com

This Space for Architect/Engineer Approval

Job Name _____ Date _____

Model Specified _____ Quantity _____

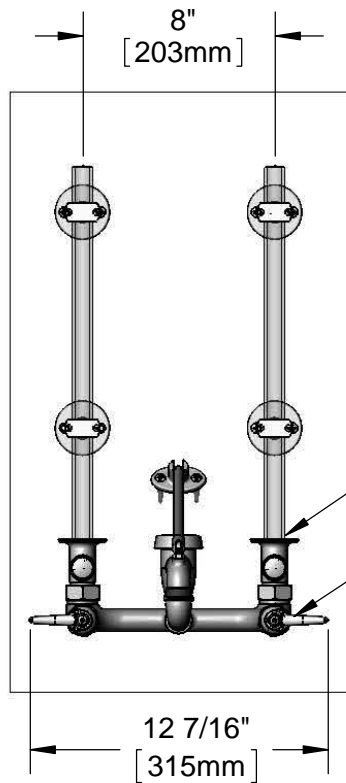
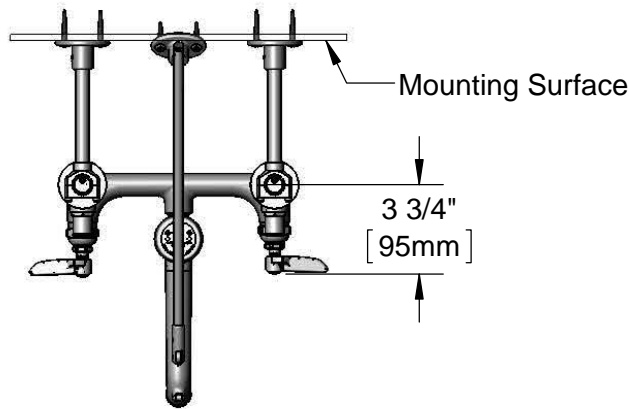
Customer/Wholesaler _____

Contractor _____

Architect/Engineer _____



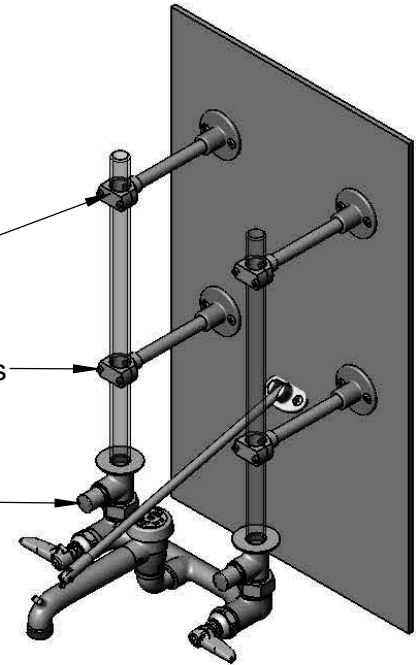
ADA Compliant



1/2" NPT CW-HW
Supply Pipes
(Supplied by Others)

(4) B-0110 Pipe Supports

Built-In Service Stop



B-0969
1/2" NPT Vacuum Breaker

Support Rod w/
Wall Bracket &
Mounting Screws

1/2" NPT
Female Inlet

Eterna Cartridges w/
Spring Checks & Lever
Handles w/ Color Coded
Indexes

Garden Hose
Male Outlet

6"
[152mm]
Adjustable

4 7/8"
[124mm]

8 3/4"
[222mm]

2 3/16"
[55mm]

Product Specifications:

8" Service Sink Faucet, Eterna Cartridges w/ Spring Checks, Lever Handles, Upper Support Rod, Garden Hose Male Outlet, Polished Chrome Finish, Vacuum Breaker, Wall Braces & 1/2" NPT Female Inlets w/ Integral Stops (Designed for Exposed Ceiling Supply Lines)

Product Compliance:

ASME A112.18.1 / CSA B125.1
NSF 61 Exempt (Non-Potable)
ANSI A117.1 (ADA)
ASSE 1001 (VB)



T&S BRASS AND BRONZE WORKS, INC.

2 Saddleback Cove / P.O. Box 1088
Travelers Rest, SC 29690

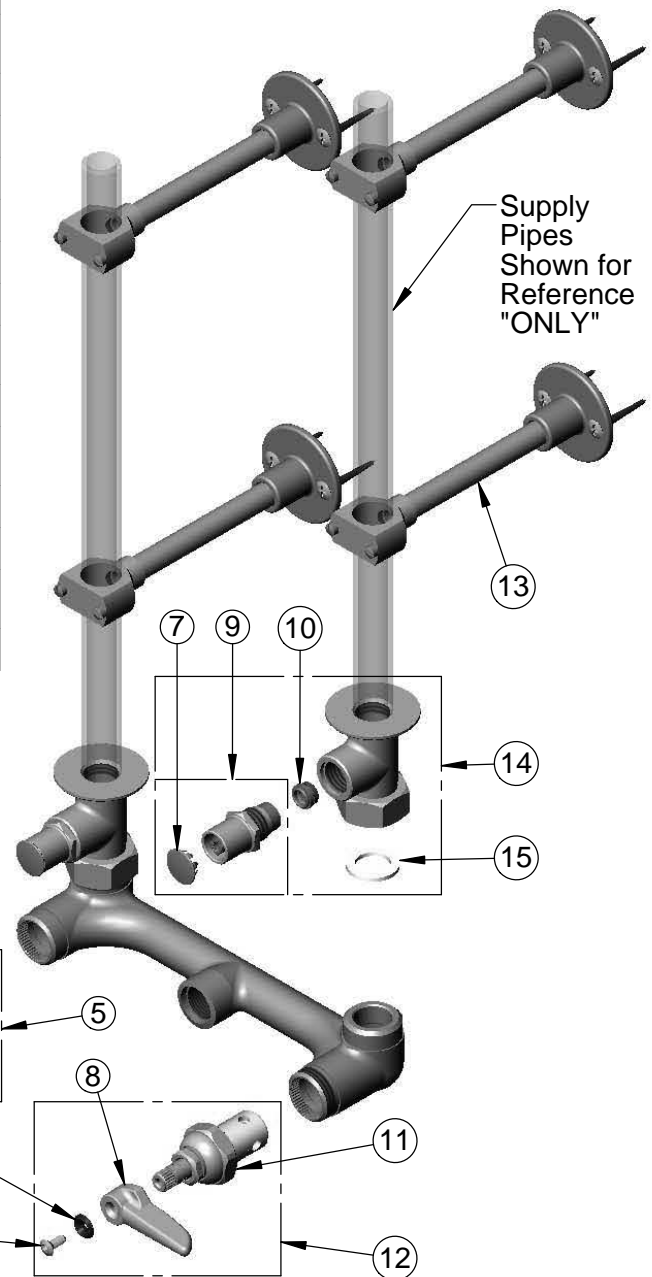
Model No.

B-0662

Item No.

Travelers Rest, SC: 800-476-4103 • Simi Valley, CA: 800-423-0150 • Fax: 864-834-3518 • www.tsbrass.com

ITEM NO.	SALES NO.	DESCRIPTION
1	B-0969	1/2" NPT Vacuum Breaker
2	001661-45	Red Index-HW
3	012443-40	Eterna Cartridge, RTC w/ Spring Check
4	001660-45	Blue Index-CW
5	002712-40	Eterna Cartridge, RTC w/ Spring Check, Handle, Index & Screw
6	000922-45	Lever Handle Screw
7	001605-45	Cap
8	001638-45	Lever Handle
9	002892-40	Service Stop Spindle w/ Cap
10	000763-20	Seat
11	012442-40	Eterna Cartridge, LTC w/ Spring Check
12	002711-40	Eterna Cartridge, LTC w/ Spring Check, Handle, Index & Screw
13	B-0110	6" Wall Bracket
14	00JJ	1/2" NPT Female Inlet w/ Loose Key Stop
15	001019-45	Coupling Nut Washer
16	002534-25	Close Nipple, 1/2" NPT
17	009545-40	Spout w/ Male GH Outlet & Upper Clevis - Polished Chrome
18	009546-40	Upper Support Rod



Product Specifications:

8" Service Sink Faucet, Eterna Cartridges w/ Spring Checks, Lever Handles, Upper Support Rod, Garden Hose Male Outlet, Polished Chrome Finish, Vacuum Breaker, Wall Braces & 1/2" NPT Female Inlets w/ Integral Stops (Designed for Exposed Ceiling Supply Lines)

Product Compliance:

ASME A112.18.1 / CSA B125.1
NSF 61 Exempt (Non-Potable)
ANSI A117.1 (ADA)
ASSE 1001 (VB)