



T&S BRASS AND BRONZE WORKS, INC.

2 Saddleback Cove / P.O. Box 1088
Travelers Rest, SC 29690



REG. #A2601
ISO #9001

Model No.

B-0664-01

Item No.

Travelers Rest, SC: 800-476-4103 Simi Valley, CA: 800-423-0150 Fax: 864-834-3518 www.tsbrass.com

This Space for Architect/Engineer Approval

Job Name _____ Date _____

Model Specified _____ Quantity _____

Customer/Wholesaler _____

Contractor _____

Architect/Engineer _____



ADA Compliant



00JJ
Integral
Supply Stop

000610-25
Extension

000611-25
Extension

B-WH6
6" Wrist Action Handle
w/ Color Coded Indexes

Eterna Cartridges w/
Spring Checks

Ø2" [51mm]
Flange

1/2" NPT
Female
Thread Inlet

7 7/8"
[200mm]

Plain End
Outlet

Lower Wall Support
Assembly Furnished
w/ Wall Bracket &
Mounting Screws

Mounting Surface

17 1/4"
[439mm]

2 7/16"
[62mm]

8" c/c
[203mm]

14 3/16"
[361mm]

Product Specifications:

8" Centers Service Sink w/ Plain End Spout, Polish Chrome,
Lower Wall Support, 6" Wrist Action Handles & 00JJ Integral
Stops w/ "T" Handle

Drawn
DHL

Checked
KJG

Approved
JHB

Scale:

NTS

Date:

01/13/2010



T&S BRASS AND BRONZE WORKS, INC.

2 Saddleback Cove / P.O. Box 1088
Travelers Rest, SC 29690



REG. #A2601
ISO #9001

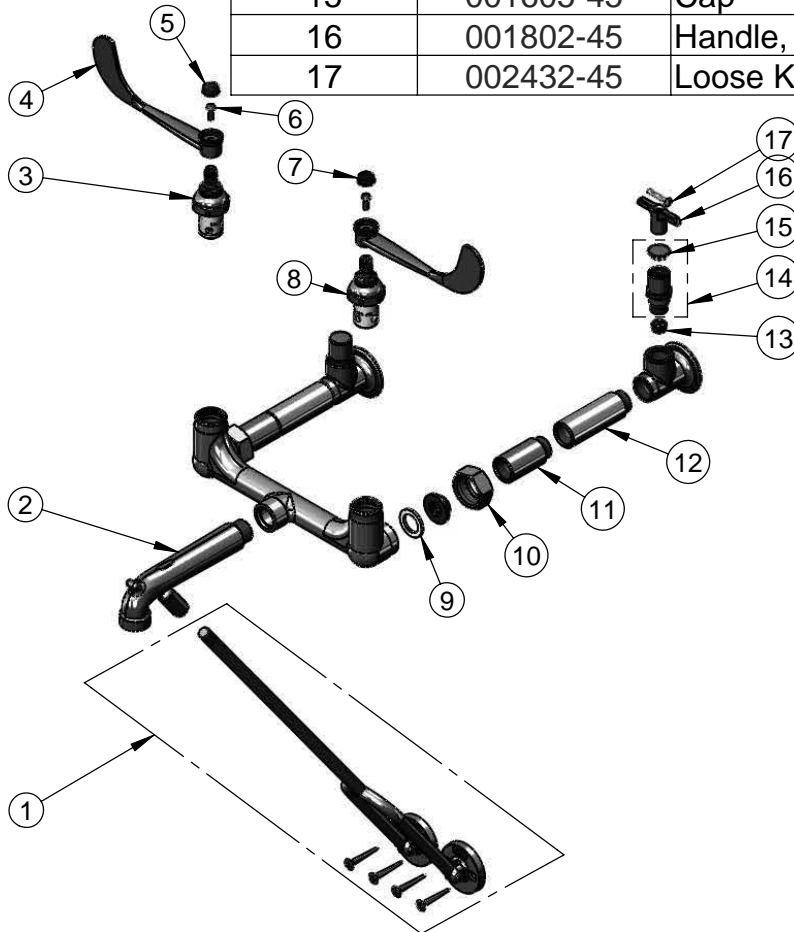
Model No.

B-0664-01

Item No.

Travelers Rest, SC: 800-476-4103 Simi Valley, CA: 800-423-0150 Fax: 864-834-3518 www.tsbrass.com

ITEM NO.	SALES NO.	DESCRIPTION
1	015476-40	Lower Support Rod Assembly (Long)
2	017535-40	Spout Assembly, Plain Outlet & Lower Clevis
3	012443-40	Hot Eterna Spindle Assembly w/ Spring Check
4	B-WH6	6" Wrist Action Handle
5	001194-45	Red HW Index
6	000925-45	Lab Handle Screw
7	001686-45	Blue CW Index
8	012442-40	Cold Eterna Spindle Assembly w/ Spring Check
9	001019-45	Coupling Nut Washer
10	000721-25	Flange Coupling Nut
11	000611-25	Extension, 1 3/4" Long
12	000610-25	Extension, 2 3/4" Long
13	000763-20	Seat
14	002892-40	Spindle Asm w/ Cap
15	001605-45	Cap
16	001802-45	Handle, Supply Stop "T"
17	002432-45	Loose Key Handle Screw



Product Specifications:

8" Centers Service Sink w/ Plain End Spout, Polish Chrome, Lower Wall Support, 6" Wrist Action Handles & 00JJ Integral Stops w/ "T" Handle

Drawn DHL	Checked KJG	Approved JHB
Scale: NTS		Date: 01/13/2010