



T&S BRASS AND BRONZE WORKS, INC.

2 Saddleback Cove / P.O. Box 1088
Travelers Rest, SC 29690



REG. #A2601
ISO #9001

Model No.

B-0665-BSTP-CVB

Item No.

Travelers Rest, SC: 800-476-4103 Simi Valley, CA: 800-423-0150 Fax: 864-834-3518 www.tsbrass.com

This Space for Architect/Engineer Approval

Job Name _____ Date _____

Model Specified _____ Quantity _____

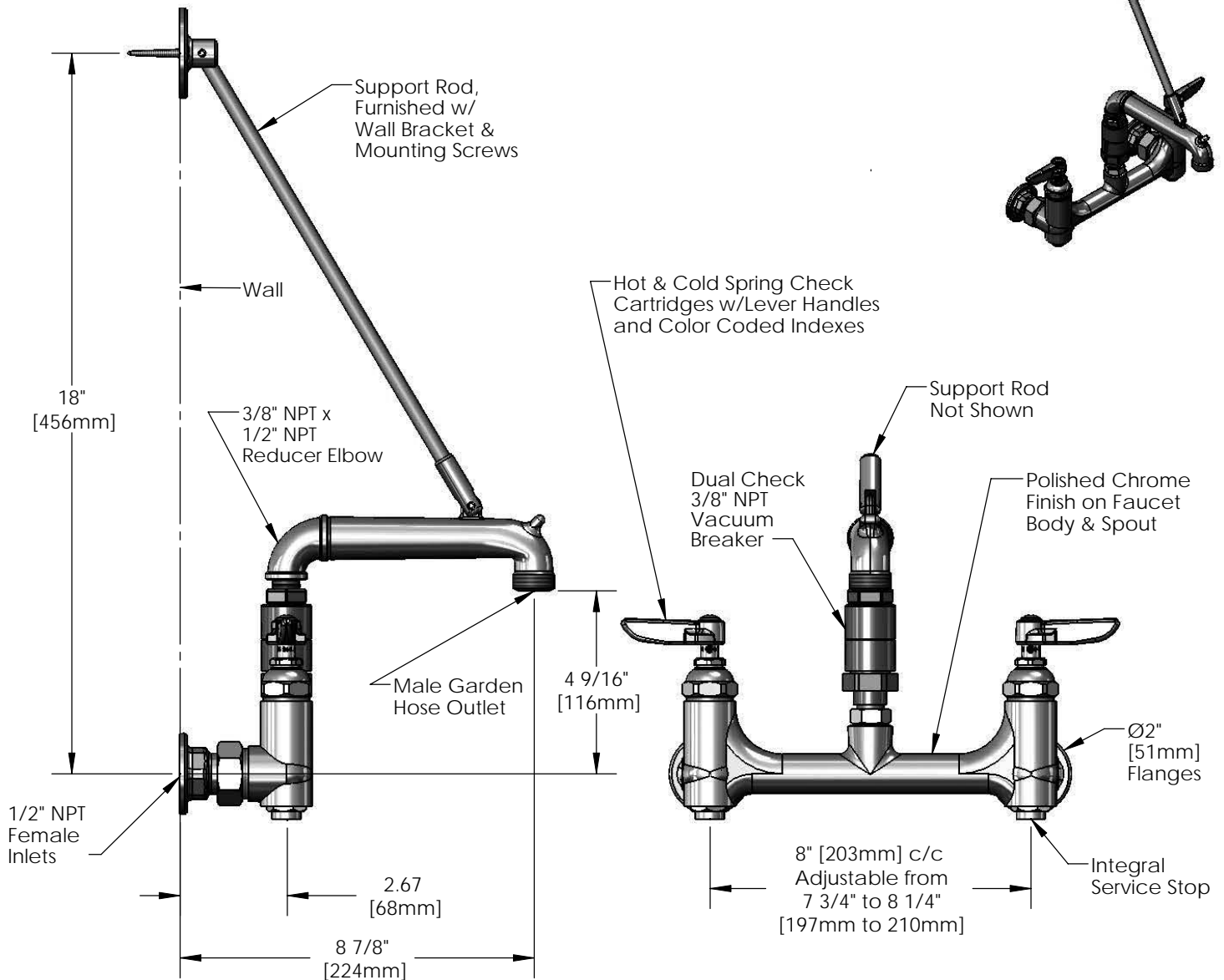
Customer/Wholesaler _____

Contractor _____

Architect/Engineer _____



ADA Compliant



Product Specifications:

Service Sink, Inlet Stops, Eterna Cartridges w/ Spring Checks, Dual Check 3/8" NPT Vacuum Breaker Lever Handles, Polished Chrome

Drawn DHL	Checked DMH	Approved JHB
Scale: 1:4		Date: 07/24/09



T&S BRASS AND BRONZE WORKS, INC.

2 Saddleback Cove / P.O. Box 1088
Travelers Rest, SC 29690



REG. #A2601
ISO #9001

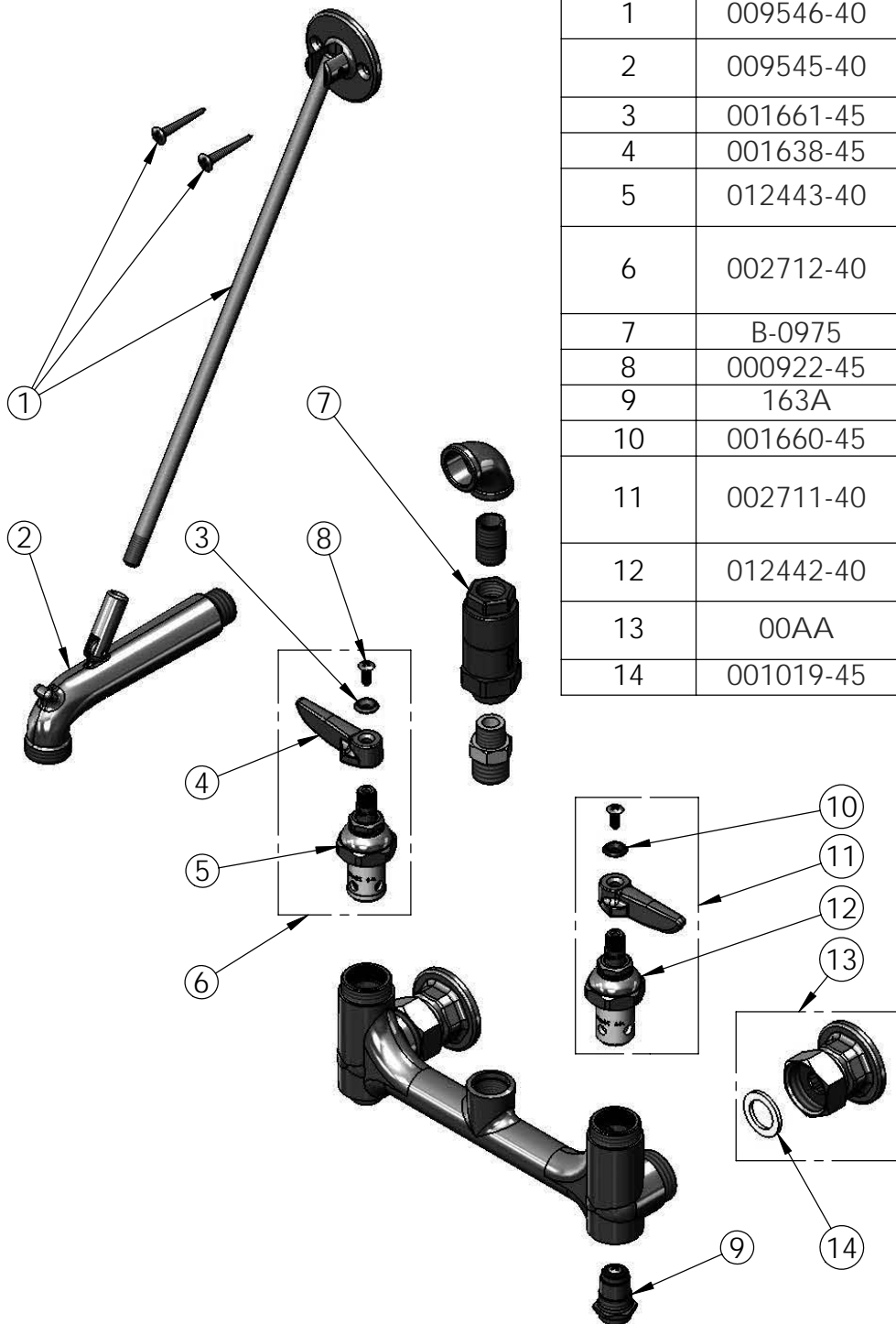
Model No.

B-0665-BSTP-CVB

Item No.

Travelers Rest, SC: 800-476-4103 Simi Valley, CA: 800-423-0150 Fax: 864-834-3518 www.tsbrass.com

ITEM NO.	SALES NO.	DESCRIPTION
1	009546-40	SUPRT ROD B-665 - POLISH CHROME
2	009545-40	Spout w/ Clevis - Polished Chrome
3	001661-45	Red Index-HW
4	001638-45	Lever Handle
5	012443-40	Hot Eterna Spindle Assembly w/ Spring Check
6	002712-40	Hot Eterna Spindle Assembly w/ Spring Check, Handle, Index & Screw
7	B-0975	Dual Check Valve VB
8	000922-45	Lever Handle Screw
9	163A	BST Assembly, 163A
10	001660-45	Blue Index-CW
11	002711-40	Hot Eterna Spindle Assembly w/ Spring Check, Handle, Index & Screw
12	012442-40	Cold Eterna Spindle Assembly w/ Spring Check
13	00AA	Coupling Flange Assembly w/ Washer
14	001019-45	Coupling Nut Washer



Product Specifications:

Service Sink, Inlet Stops, Eterna Cartridges w/ Spring Checks, Dual Check 3/8" NPT Vacuum Breaker Lever Handles, Polished Chrome

Drawn DHL	Checked DMH	Approved JHB
Scale: 1:4		Date: 07/24/09