



T&S BRASS AND BRONZE WORKS, INC.

2 Saddleback Cove / P.O. Box 1088
Travelers Rest, SC 29690



REG. #A2601
ISO #9001

Model No.

B-0665-BSTR-963

Item No.

Travelers Rest, SC: 800-476-4103 Simi Valley, CA: 800-423-0150 Fax: 864-834-3518 www.tsbrass.com

This Space for Architect/Engineer Approval

Job Name _____ Date _____

Model Specified _____ Quantity _____

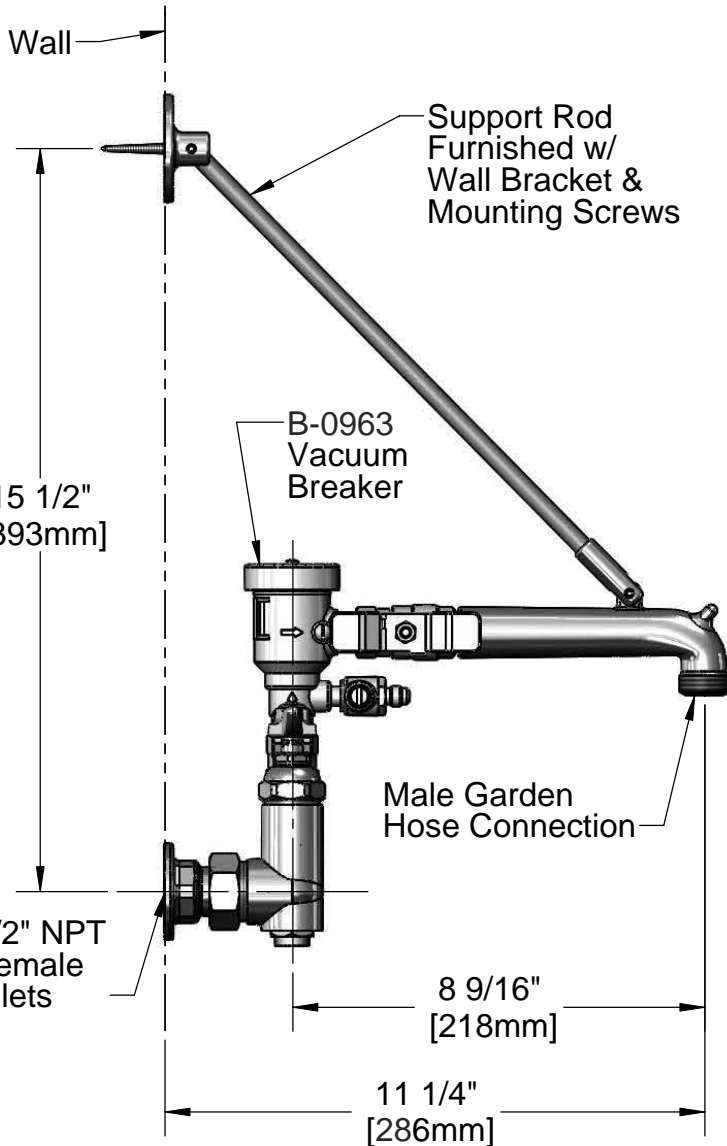
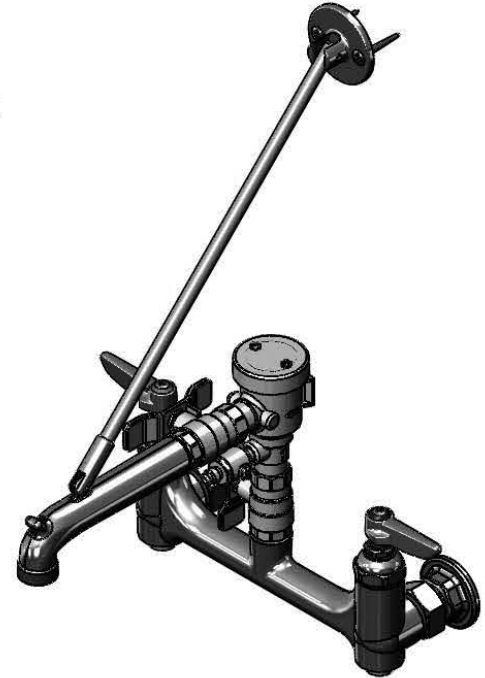
Customer/Wholesaler _____

Contractor _____

Architect/Engineer _____



ADA Compliant



Hot & Cold Spring
Check Cartridges w/
Lever Handles & Color
Coded Indexes

Support Rod
Not Shown
for Clarity

Ø2"
[51mm]
Flanges

Integral
Service
Stop

8"
[203mm]
Adjustable from
7 3/4" to 8 1/4"
[197mm to 210mm]

Product Specifications:

Service Sink, Rough Chrome with Integral Service Stops, Eterna Cartridges w/ Spring Checks, Lever Handles and B-0963 Continuous Pressure Vacuum Breaker w/ Quarter Turn Ball Valves

Drawn

DMH

Checked

KJG

Approved

JHB

Scale:

1:4

Date:

08/03/09



T&S BRASS AND BRONZE WORKS, INC.

2 Saddleback Cove / P.O. Box 1088
Travelers Rest, SC 29690



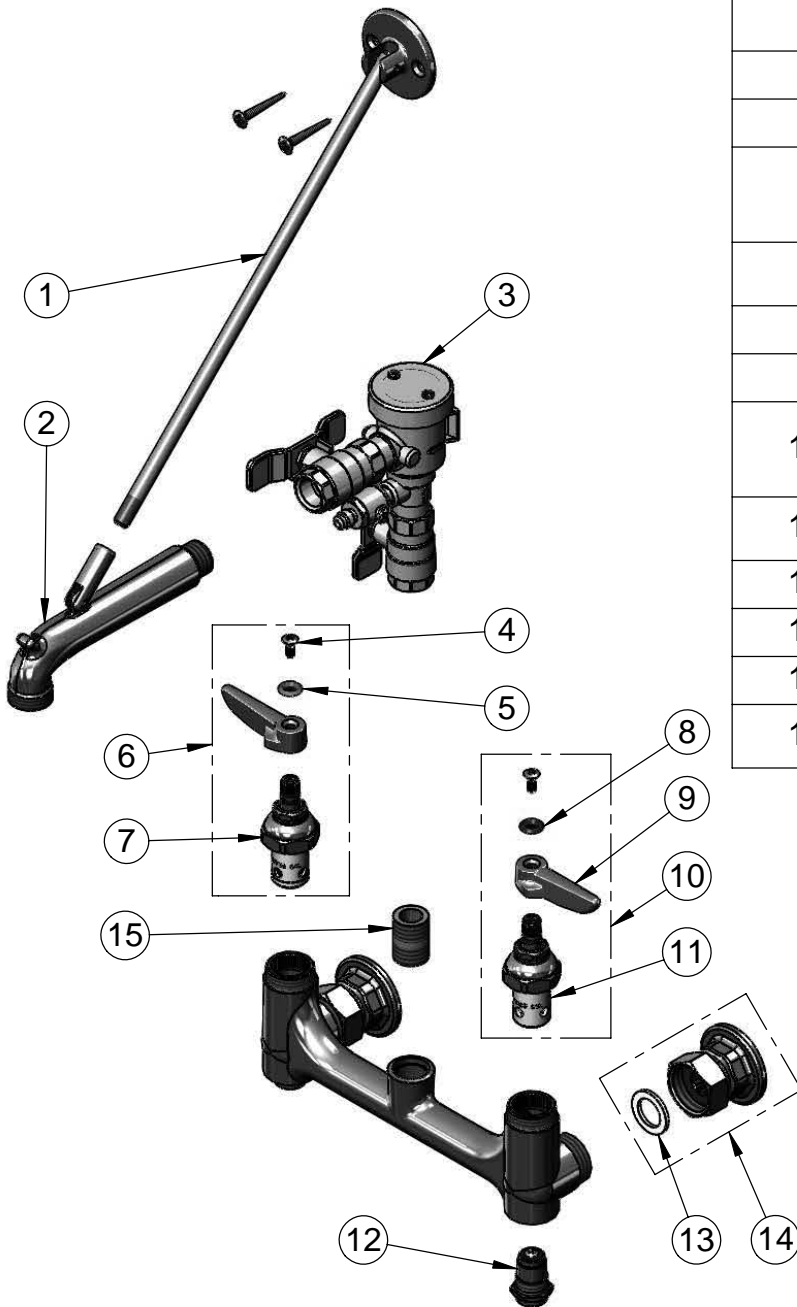
REG. #A2601
ISO #9001

Model No.
B-0665-BSTR-963

Item No.

Travelers Rest, SC: 800-476-4103 Simi Valley, CA: 800-423-0150 Fax: 864-834-3518 www.tsbrass.com

ITEM NO.	SALES NO.	DESCRIPTION
1	009546-40	Support Rod B-0665 - Polish Chrome w/ Screws
2	009545-25	Spout w/ Clevis - Rough Chrome
3	B-0963	Vacuum Breaker 1/2 NPT Female
4	000922-45	Lever Handle Screw
5	001661-45	Red Index-HW
6	002712-40	Hot Eterna Spindle Asm w/ Spring Check, Handle, Index & Screw
7	012443-40	Hot Eterna Spindle Assembly w/ Spring Check
8	001660-45	Blue Index-CW
9	001638-45	Lever Handle
10	002711-40	Cold Eterna Spindle Asm w/ Spring Check, Handle, Index & Screw
11	012442-40	Cold Eterna Spindle Assembly w/ Spring Check
12	163A	BST Assembly, 163A
13	001019-45	Coupling Nut Washer
14	00AA	Coupling Flange Asm
15	002534-25	Close Nipple, 1/2" x 1 5/32" Lg Rough Chrome



Product Specifications:

Service Sink, Rough Chrome with Integral Service Stops, Eterna Cartridges w/ Spring Checks, Lever Handles and B-0963 Continuous Pressure Vacuum Breaker w/ Quarter Turn Ball Valves

Drawn DMH	Checked KJG	Approved JHB
Scale: NTS		Date: 08/03/09