



T&S BRASS AND BRONZE WORKS, INC.

2 Saddleback Cove / P.O. Box 1088
Travelers Rest, SC 29690

Model No.

B-0665-CR-BSTR

Item No.

Travelers Rest, SC: 800-476-4103 • Simi Valley, CA: 800-423-0150 • Fax: 864-834-3518 • www.tsbrass.com



ADA Compliant

This Space for Architect/Engineer Approval

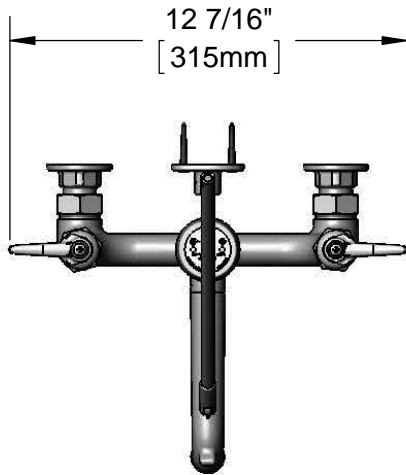
Job Name _____ Date _____

Model Specified _____ Quantity _____

Customer/Wholesaler _____

Contractor _____

Architect/Engineer _____



Support Rod w/
Wall Bracket &
Mounting Screws

Mounting
Surface

Items Not Shown
For Clarity

B-0969
1/2" NPT Vacuum
Breaker

Cerama Cartridges w/ Check
Valves & Lever Handles w/
Color Coded Indexes

Garden Hose
Male Outlet

Ø 2" [51mm]
Flanges w/
1/2" NPT
Female Inlets

Built-In Service
Stop

3 7/8"
[98mm]

8"
[203mm]
Adjustable From
7 3/4" to 8 1/4"
[197mm to 210mm]

14 5/16"
[364mm]

2 11/16"
[68mm]

9 1/8"
[232mm]

Product Specifications:

8" Wall Mount Service Sink Faucet, Cerama Cartridges w/ Check Valves, Lever Handles, Upper Support Rod, Garden Hose Male Outlet, Rough Chrome Finish, Built-In Stops, 1/2" NPT Vacuum Breaker & 1/2" NPT Female Inlets

Product Compliance:

ASME A112.18.1 / CSA B125.1
NSF 61 - Section 9
NSF 372 (Low Lead Content)
ANSI A117.1 (ADA)
ASSE 1001 (VB)



T&S BRASS AND BRONZE WORKS, INC.

2 Saddleback Cove / P.O. Box 1088
Travelers Rest, SC 29690

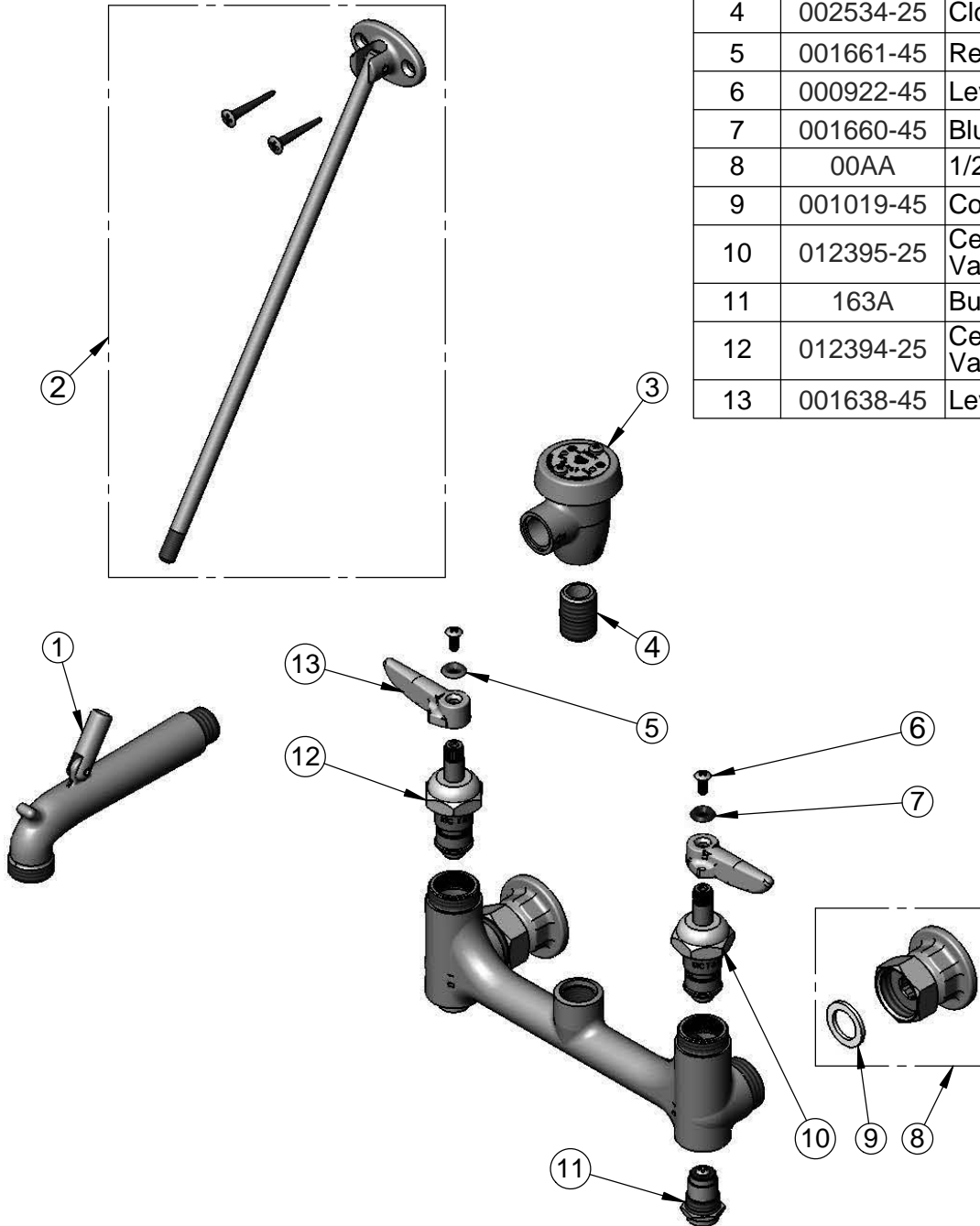
Model No.

B-0665-CR-BSTR

Item No.

Travelers Rest, SC: 800-476-4103 • Simi Valley, CA: 800-423-0150 • Fax: 864-834-3518 • www.tsbrass.com

ITEM NO.	SALES NO.	DESCRIPTION
1	009545-25	Spout w/ Male GH Outlet & Upper Clevis - Rough Chrome
2	009546-40	Upper Support Rod
3	B-0969	1/2" NPT Vacuum Breaker
4	002534-25	Close Nipple, 1/2" NPT
5	001661-45	Red Index-HW
6	000922-45	Lever Handle Screw
7	001660-45	Blue Index-CW
8	00AA	1/2" NPT Female Eccentric Flange
9	001019-45	Coupling Nut Washer
10	012395-25	Cerama Cartridge, LTC w/ Check Valve
11	163A	Built-in Service Stop
12	012394-25	Cerama Cartridge, RTC w/ Check Valve
13	001638-45	Lever Handle



Product Specifications:

8" Wall Mount Service Sink Faucet, Cerama Cartridges w/ Check Valves, Lever Handles, Upper Support Rod, Garden Hose Male Outlet, Rough Chrome Finish, Built-In Stops, 1/2" NPT Vacuum Breaker & 1/2" NPT Female Inlets

Product Compliance:

ASME A112.18.1 / CSA B125.1
NSF 61 - Section 9
NSF 372 (Low Lead Content)
ANSI A117.1 (ADA)
ASSE 1001 (VB)