



# T&S BRASS AND BRONZE WORKS, INC.

2 Saddleback Cove / P.O. Box 1088  
Travelers Rest, SC 29690

Model No.

**B-0665-CRBSTPVR**

Item No.

Travelers Rest, SC: 800-476-4103 • Simi Valley, CA: 800-423-0150 • Fax: 864-834-3518 • www.tsbrass.com



**ADA Compliant**

This Space for Architect/Engineer Approval

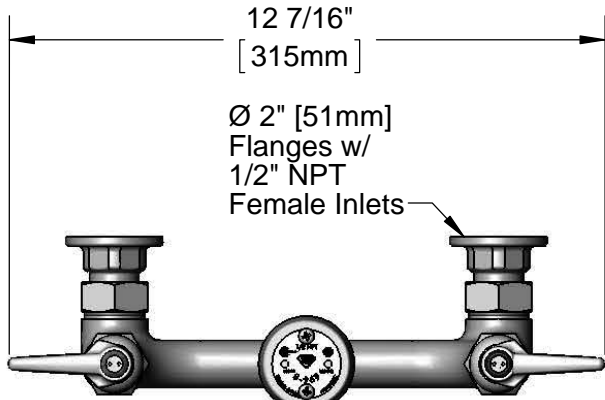
Job Name \_\_\_\_\_ Date \_\_\_\_\_

Model Specified \_\_\_\_\_ Quantity \_\_\_\_\_

Customer/Wholesaler \_\_\_\_\_

Contractor \_\_\_\_\_

Architect/Engineer \_\_\_\_\_



Support Rod w/  
Wall Bracket &  
Mounting Screws  
(Included)

Items Not  
Shown for  
Clarity

B-0969  
1/2" NPT  
Vacuum  
Breaker

Polished Chrome Finish  
On Faucet Body & Spout

Quarter-Turn Cerama  
Cartridges w/ Check  
Valves & Lever Handles  
w/ Color Coded Indexes  
& Vandal Resistant Screws

Mounting  
Surface

14 5/16"  
[364mm]

Garden Hose  
Male Outlet

3 3/4"  
[95mm]

8"  
[203mm]

Adjustable From  
7 3/4" to 8 1/4"  
[197mm to 210mm]

Built-In  
Service Stops

1 1/8"  
[28mm]

2 5/8"  
[67mm]

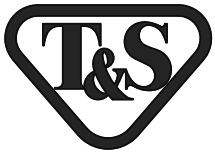
9 1/8"  
[231mm]

### Product Specifications:

8" Wall Mount Service Sink Faucet, Quarter-Turn Cerama Cartridges w/ Check Valves, Lever Handles w/ Vandal Resistant Screws, Upper Support Rod, Built-In Service Stops, Garden Hose Male Outlet, Polished Chrome Finish, 1/2" NPT Vacuum Breaker & 1/2" NPT Female Inlets

### Product Compliance:

ASME A112.18.1 / CSA B125.1  
NSF 61 Exempt (Non-Potable)  
ANSI A117.1 (ADA)



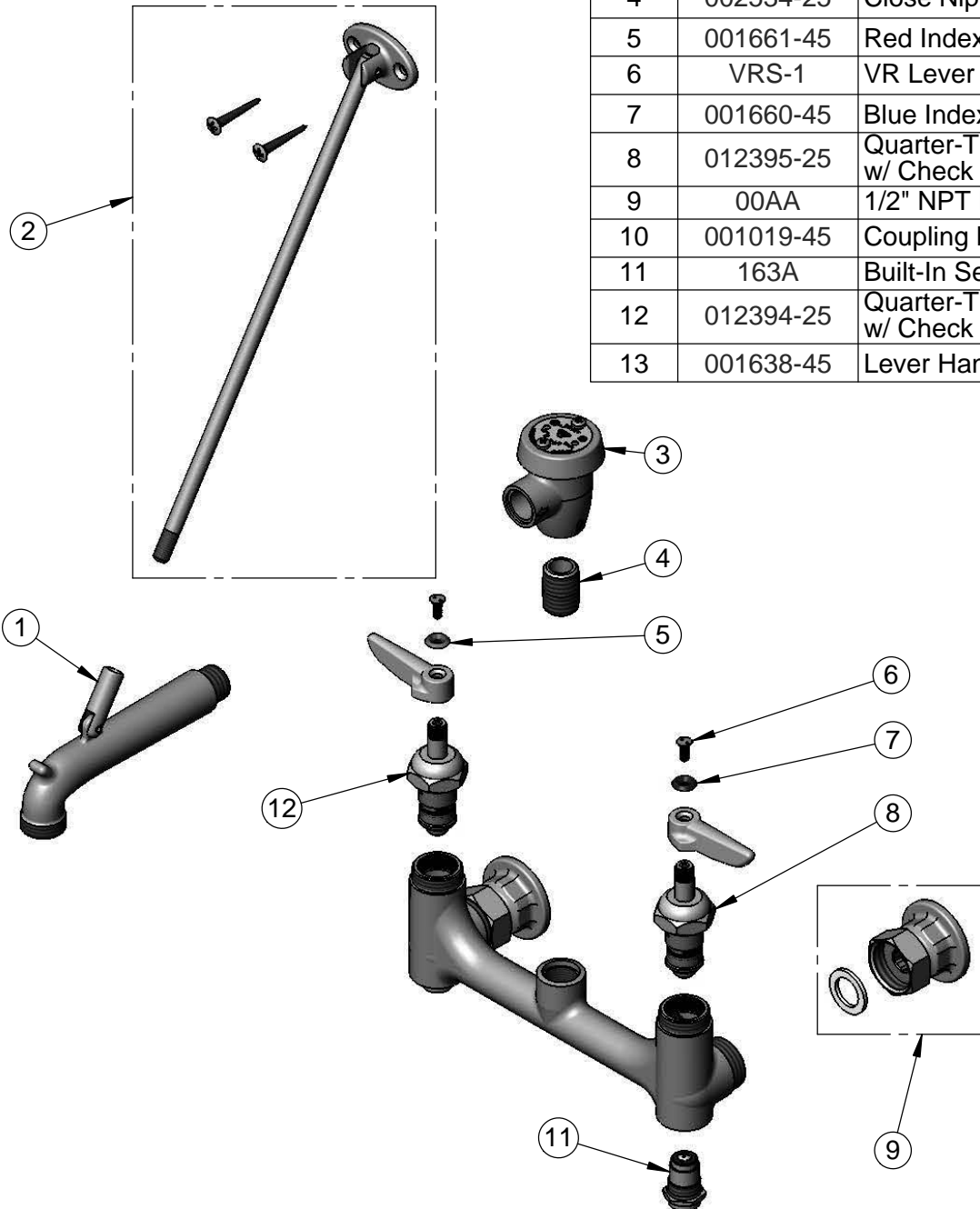
**T&S BRASS AND BRONZE WORKS, INC.**  
 2 Saddleback Cove / P.O. Box 1088  
 Travelers Rest, SC 29690


Model No.  
**B-0665-CRBSTPVR**

Item No.

Travelers Rest, SC: 800-476-4103 • Simi Valley, CA: 800-423-0150 • Fax: 864-834-3518 • www.tsbrass.com

ITEM NO.	SALES NO.	DESCRIPTION
1	009545-40	Spout w/ Male Garden Hose Outlet & Upper Clevis - Polished Chrome
2	009546-40	Upper Support Rod
3	B-0969	1/2" NPT Vacuum Breaker
4	002534-25	Close Nipple, 1/2" NPT
5	001661-45	Red Index-HW
6	VRS-1	VR Lever Handle Screw w/ Spanner Bit
7	001660-45	Blue Index-CW
8	012395-25	Quarter-Turn Cerama Cartridge, LTC w/ Check Valve
9	00AA	1/2" NPT Female Eccentric Flange
10	001019-45	Coupling Nut Washer
11	163A	Built-In Service Stop
12	012394-25	Quarter-Turn Cerama Cartridge, RTC w/ Check Valve
13	001638-45	Lever Handle



  
 014075-45  
 Vandal Resistant  
 #10 Spanner Bit

**Product Specifications:**

8" Wall Mount Service Sink Faucet, Quarter-Turn Cerama Cartridges w/ Check Valves, Lever Handles w/ Vandal Resistant Screws, Upper Support Rod, Built-In Service Stops, Garden Hose Male Outlet, Polished Chrome Finish, 1/2" NPT Vacuum Breaker & 1/2" NPT Female Inlets

**Product Compliance:**

ASME A112.18.1 / CSA B125.1  
 NSF 61 Exempt (Non-Potable)  
 ANSI A117.1 (ADA)