



# T&S BRASS AND BRONZE WORKS, INC.

2 Saddleback Cove / P.O. Box 1088  
Travelers Rest, SC 29690



REG. #A2601  
ISO #9001

Model No.  
**B-0666-POL**

Item No.

Travelers Rest, SC: 800-476-4103 Simi Valley, CA: 800-423-0150 Fax: 864-834-3518 www.tsbrass.com

This Space for Architect/Engineer Approval

Job Name \_\_\_\_\_ Date \_\_\_\_\_

Model Specified \_\_\_\_\_ Quantity \_\_\_\_\_

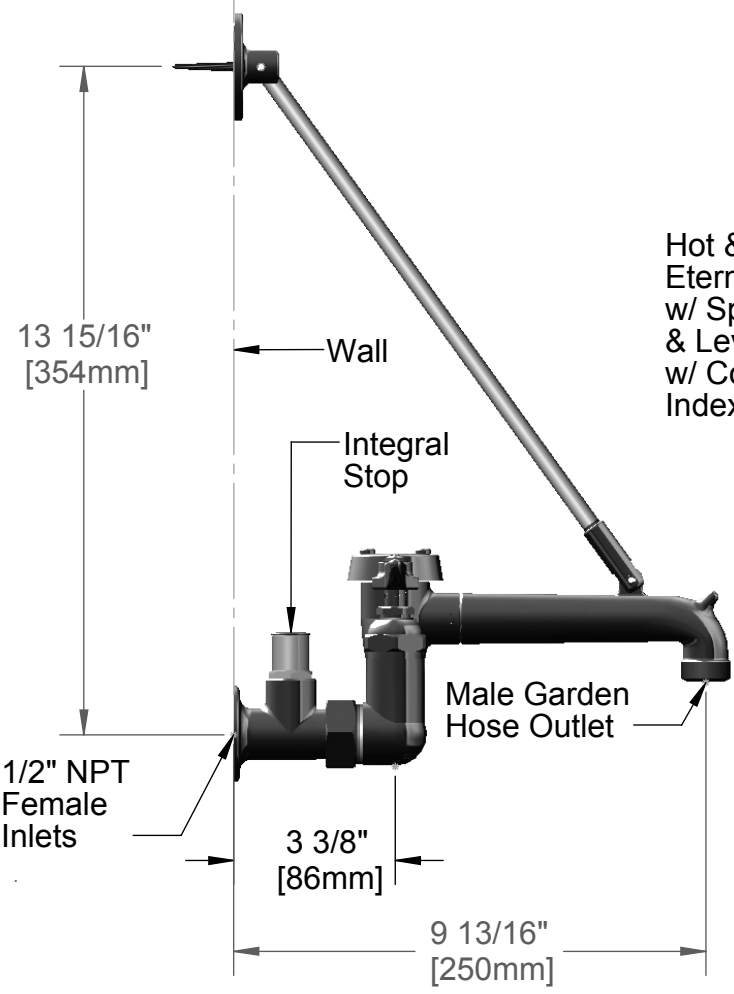
Customer/Wholesaler \_\_\_\_\_

Contractor \_\_\_\_\_

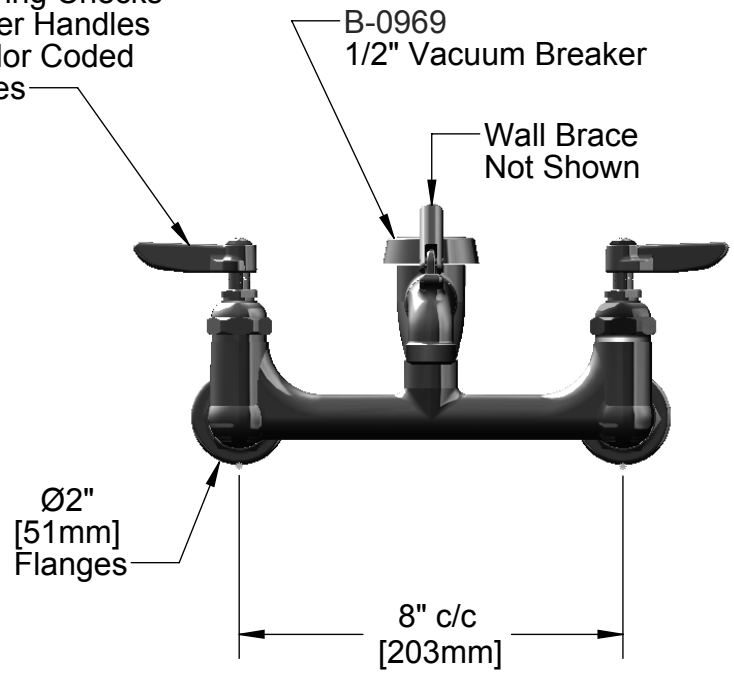
Architect/Engineer \_\_\_\_\_



**ADA Compliant**



Hot & Cold  
Eterna Cartridges  
w/ Spring Checks  
& Lever Handles  
w/ Color Coded  
Indexes



**Product Specifications:**

Service Sink Faucet, Polished Chrome Finish, Lever Handles, Integral Stops, Vacuum Breaker, Wall Brace Assembly, 1/2" NPT Female Inlets & Male Garden Hose Outlet

Drawn <b>DHL</b>	Checked <b>GEF</b>	Approved <b>JHB</b>
Scale: <b>1:4</b>		Date: <b>5/16/08</b>



**T&S BRASS AND BRONZE WORKS, INC.**

2 Saddleback Cove / P.O. Box 1088  
Travelers Rest, SC 29690



REG. #A2601  
ISO #9001

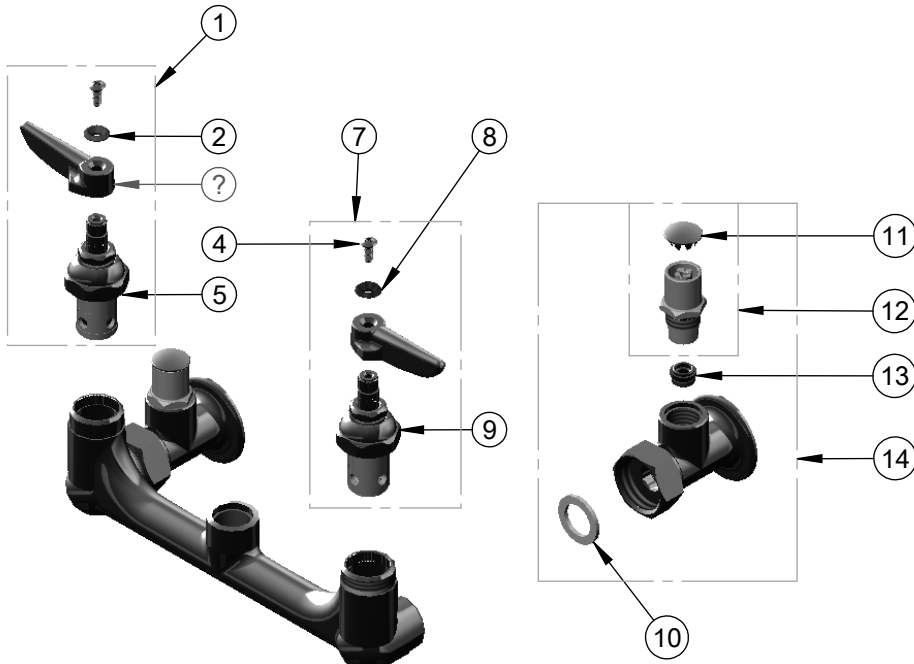
Model No.  
**B-0666-POL**

Item No.

Travelers Rest, SC: 800-476-4103 Simi Valley, CA: 800-423-0150 Fax: 864-834-3518 www.tsbrass.com



ITEM NO.	SALES NO.	DESCRIPTION
1	002712-40	Hot Eterna Spindle Assembly w/ Spring Check, Handle, Index & Screw
2	001661-45	Red Index-HW
3	001638-45	Lever Handle
4	000922-45	Lever Handle Screw
5	012443-40	Hot Eterna Spindle Assembly w/ Spring Check
6	B-0969	Vacuum Breaker, 1/2"
7	002711-40	Cold Eterna Spindle Assembly w/ Spring Check, Handle, Index & Screw
8	001660-45	Blue Index-CW
9	012442-40	Cold Eterna Spindle Assembly w/ Spring Check
10	001019-45	Coupling Nut Washer
11	001605-45	Cap
12	002892-40	Spindle Asm w/ Cap
13	000763-20	Seat
14	00JJ	Flange w/ Integral Stop Asm, 1/2" NPT Female Inlet



Product Specifications:

Service Sink Faucet, Polished Chrome Finish, Lever Handles, Integral Stops, Vacuum Breaker, Wall Brace Assembly, 1/2" NPT Female Inlets & Male Garden Hose Outlet

Drawn <b>DHL</b>	Checked <b>GEF</b>	Approved <b>JHB</b>
Scale: <b>1:4</b>		Date: <b>5/16/08</b>