



# T&S BRASS AND BRONZE WORKS, INC.

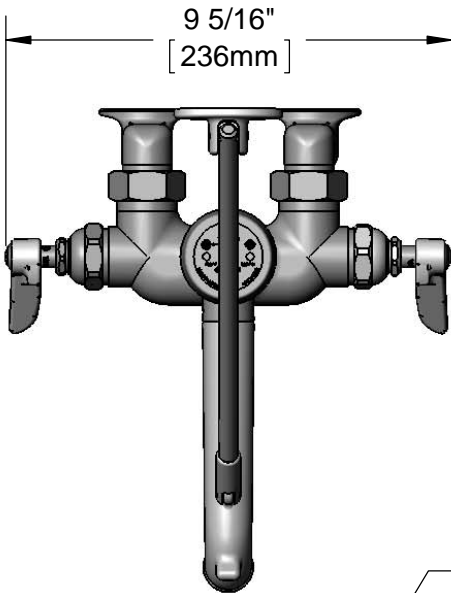
2 Saddleback Cove / P.O. Box 1088  
Travelers Rest, SC 29690

Model No.

**B-0667-RGH**

Item No.

Travelers Rest, SC: 800-476-4103 • Simi Valley, CA: 800-423-0150 • Fax: 864-834-3518 • www.tsbrass.com



**ADA Compliant**

This Space for Architect/Engineer Approval

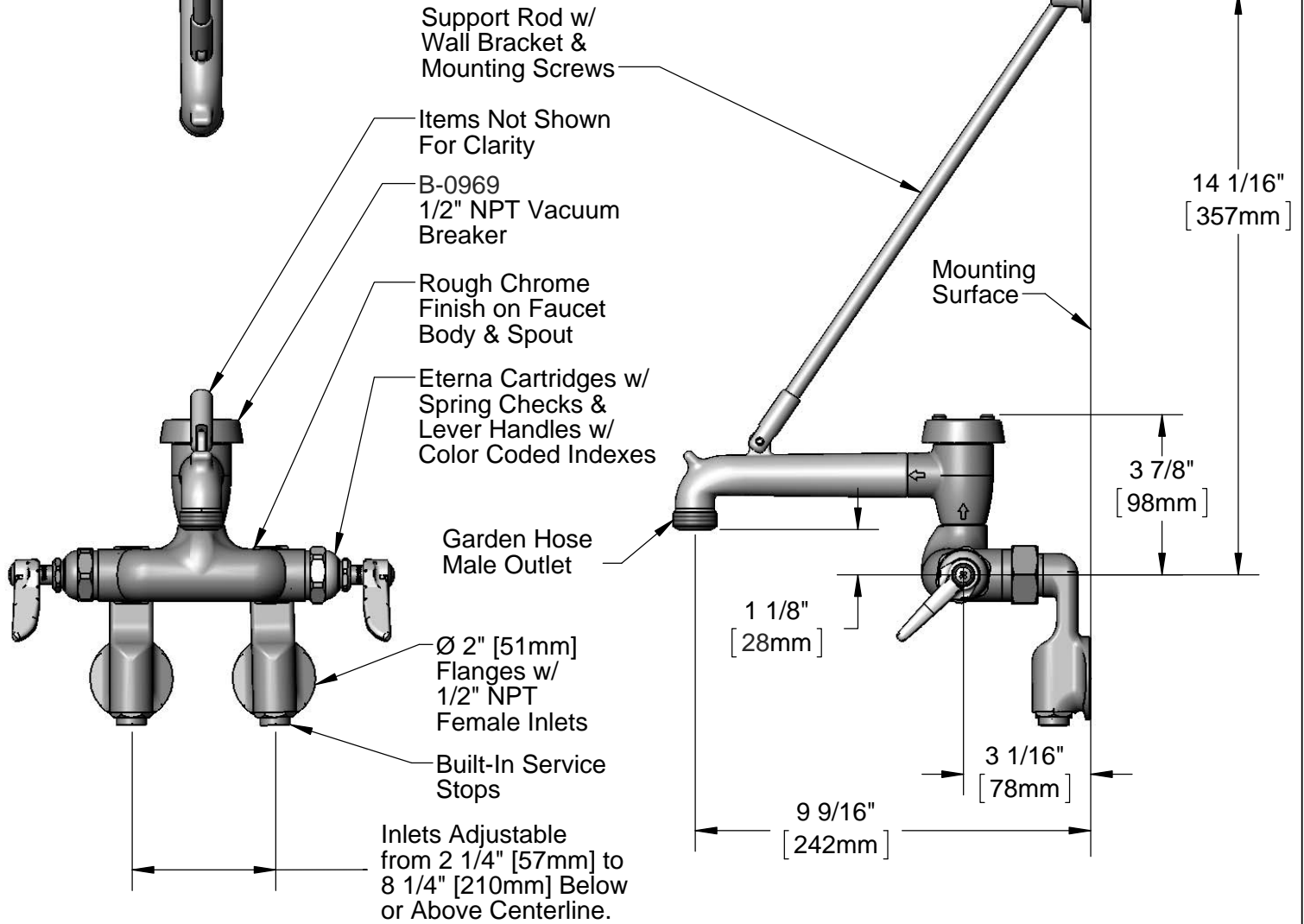
Job Name \_\_\_\_\_ Date \_\_\_\_\_

Model Specified \_\_\_\_\_ Quantity \_\_\_\_\_

Customer/Wholesaler \_\_\_\_\_

Contractor \_\_\_\_\_

Architect/Engineer \_\_\_\_\_



**Product Specifications:**

Wall Mount Service Sink, Eterna Cartridges w/ Spring Checks, Lever Handles, Upper Support Rod, Garden Hose Male Outlet, Rough Chrome Finish, 1/2" NPT Vacuum Breaker & 1/2" Female Inlet Adjustable Wall Flanges w/ Integral Service Stops

**Product Compliance:**

ASME A112.18.1 / CSA B125.1  
NSF 61 Exempt (Non-Potable)  
ANSI A117.1 (ADA)  
ASSE 1001 (VB)



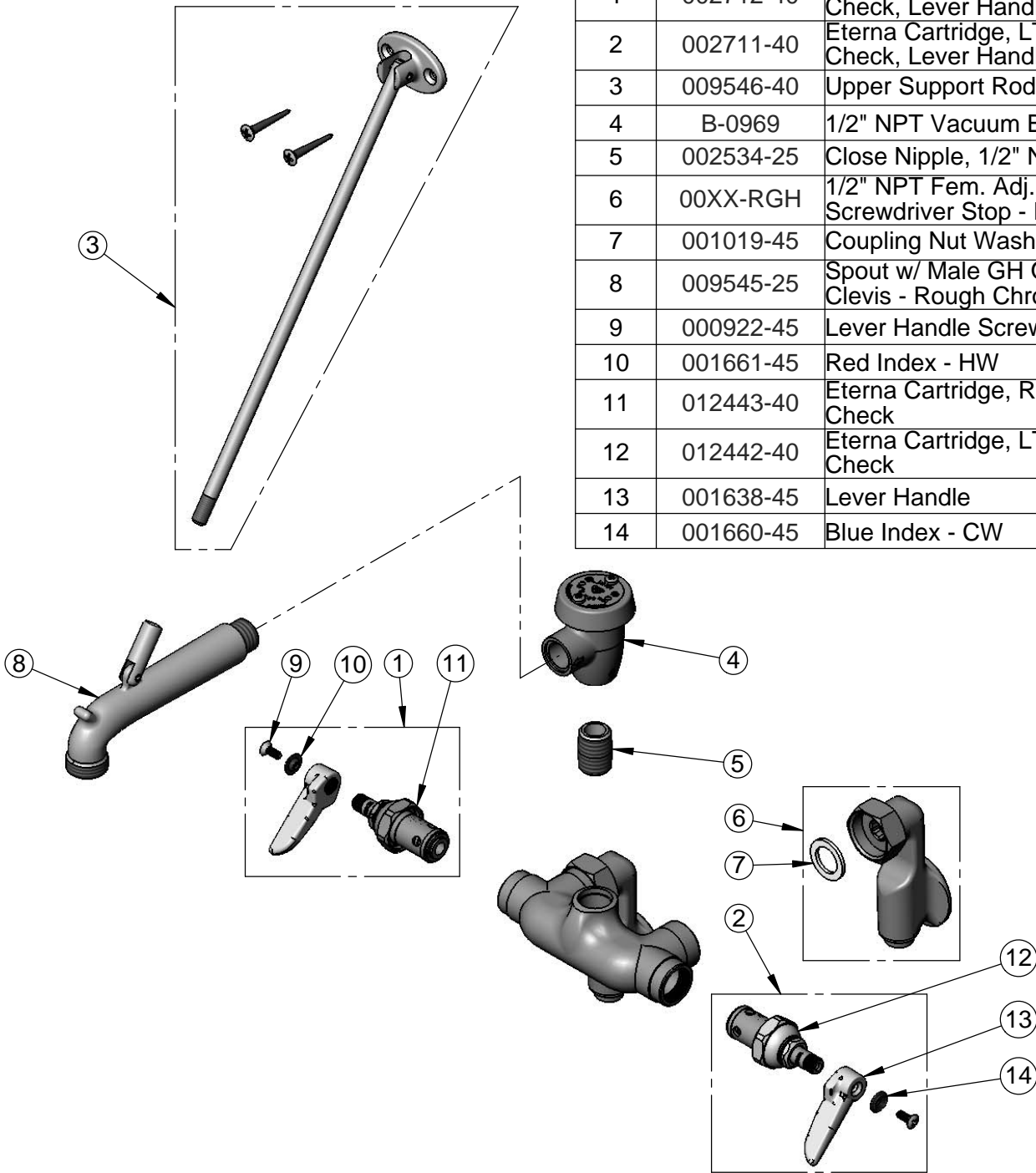
**T&S BRASS AND BRONZE WORKS, INC.**  
 2 Saddleback Cove / P.O. Box 1088  
 Travelers Rest, SC 29690

Model No.  
**B-0667-RGH**

Item No.

Travelers Rest, SC: 800-476-4103 • Simi Valley, CA: 800-423-0150 • Fax: 864-834-3518 • www.tsbrass.com

| ITEM | SALES NO. | DESCRIPTION  |
|------|-----------|--|
| 1    | 002712-40 | Eterna Cartridge, RTC w/ Spring Check, Lever Handle, Index & Screw |
| 2    | 002711-40 | Eterna Cartridge, LTC w/ Spring Check, Lever Handle, Index & Screw |
| 3    | 009546-40 | Upper Support Rod Asm.   |
| 4    | B-0969    | 1/2" NPT Vacuum Breaker  |
| 5    | 002534-25 | Close Nipple, 1/2" NPT   |
| 6    | 00XX-RGH  | 1/2" NPT Fem. Adj. Arm Inlet w/ Screwdriver Stop - Rough Chrome    |
| 7    | 001019-45 | Coupling Nut Washer  |
| 8    | 009545-25 | Spout w/ Male GH Outlet & Upper Clevis - Rough Chrome              |
| 9    | 000922-45 | Lever Handle Screw   |
| 10   | 001661-45 | Red Index - HW   |
| 11   | 012443-40 | Eterna Cartridge, RTC w/ Spring Check                              |
| 12   | 012442-40 | Eterna Cartridge, LTC w/ Spring Check                              |
| 13   | 001638-45 | Lever Handle   |
| 14   | 001660-45 | Blue Index - CW  |



**Product Specifications:**

Wall Mount Service Sink, Eterna Cartridges w/ Spring Checks, Lever Handles, Upper Support Rod, Garden Hose Male Outlet, Rough Chrome Finish, 1/2" NPT Vacuum Breaker & 1/2" Female Inlet Adjustable Wall Flanges w/ Integral Service Stops

**Product Compliance:**

ASME A112.18.1 / CSA B125.1  
 NSF 61 Exempt (Non-Potable)  
 ANSI A117.1 (ADA)  
 ASSE 1001 (VB)