



T&S BRASS AND BRONZE WORKS, INC.

2 Saddleback Cove / P.O. Box 1088
Travelers Rest, SC 29690



REG. #A2601
ISO #9001

Model No.

B-0668-RGH

Item No.

Travelers Rest, SC: 800-476-4103 Simi Valley, CA: 800-423-0150 Fax: 864-834-3518 www.tsbrass.com

This Space for Architect/Engineer Approval

Job Name _____ Date _____

Model Specified _____ Quantity _____

Customer/Wholesaler _____

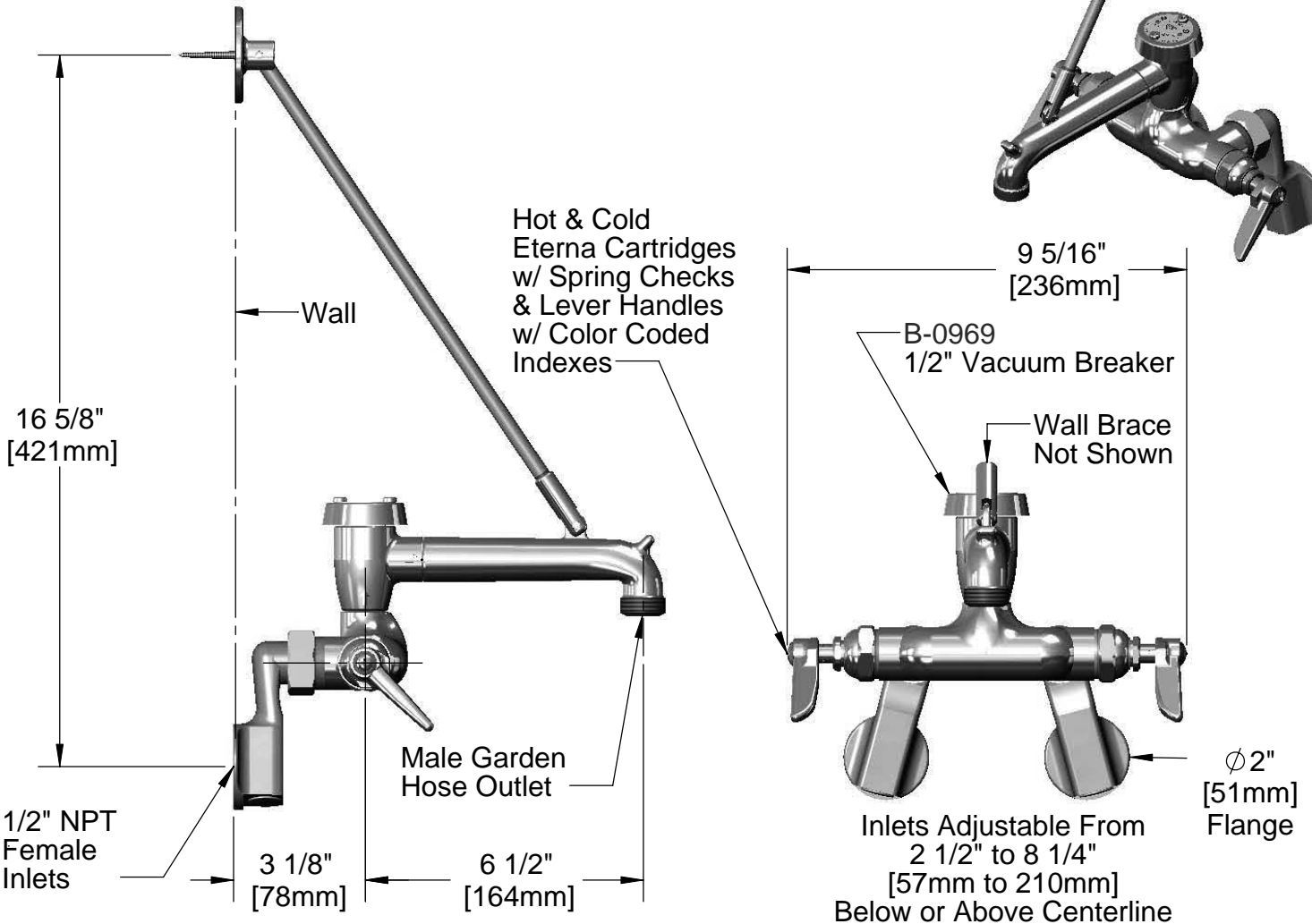
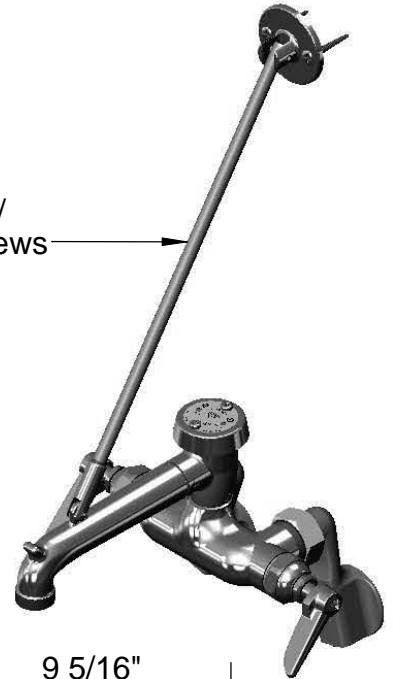
Contractor _____

Architect/Engineer _____



ADA Compliant

Support Rod Asm. Furnished w/
Wall Bracket and Mounting Screws



Product Specifications:

Service Sink Faucet, Rough Chrome Finish, Vacuum Breaker, Lever Handles, Wall Brace, 1/2" NPT Female Adjustable Inlets & Male Garden Hose Outlet

Drawn
DHL

Checked
ARH

Approved
JHB

Scale:

1:4

Date:

06/03/09



T&S BRASS AND BRONZE WORKS, INC.

2 Saddleback Cove / P.O. Box 1088
Travelers Rest, SC 29690



REG. #A2601
ISO #9001

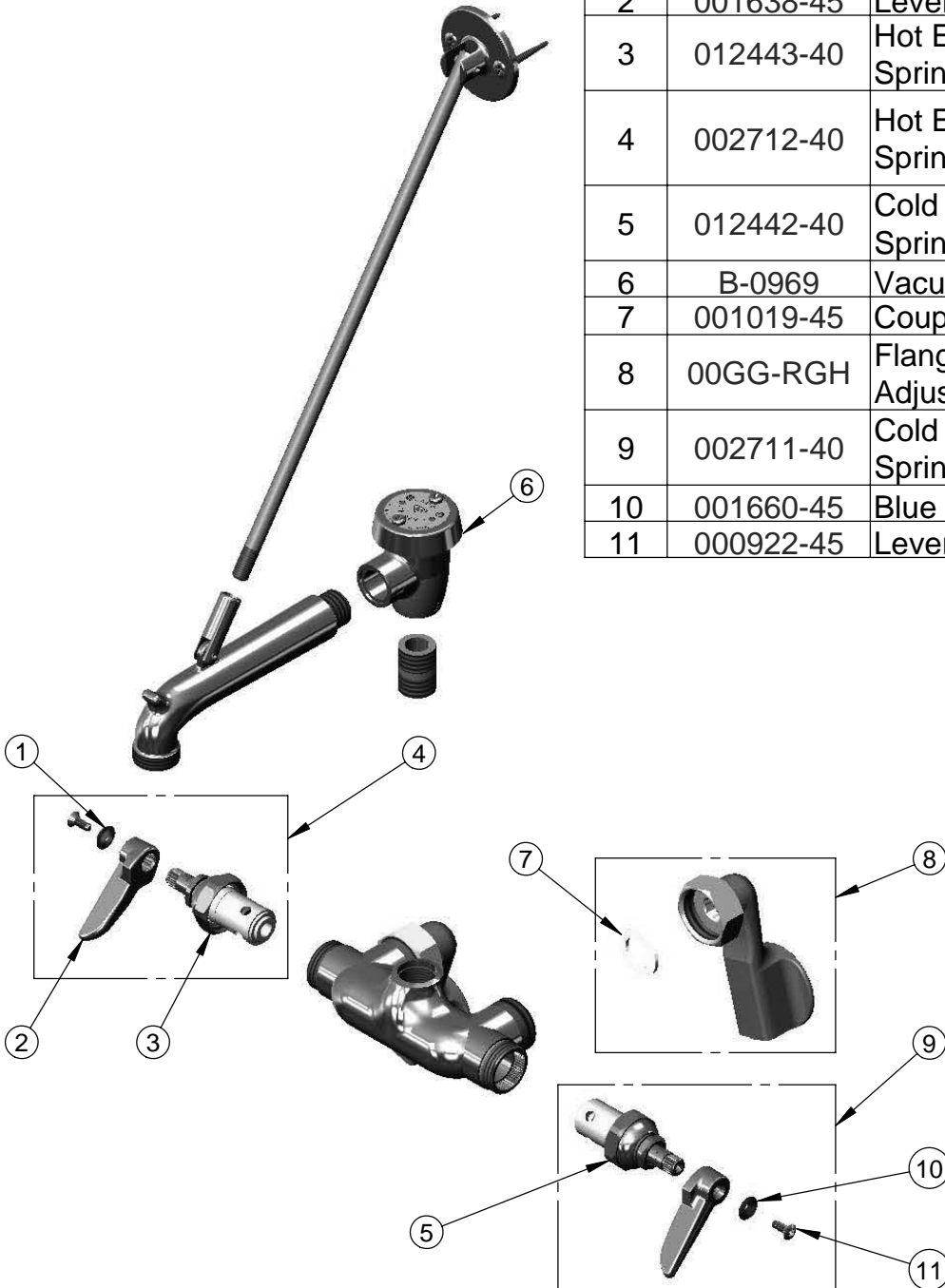
Model No.

B-0668-RGH

Item No.

Travelers Rest, SC: 800-476-4103 Simi Valley, CA: 800-423-0150 Fax: 864-834-3518 www.tsbrass.com

ITEM NO.	SALES NO.	DESCRIPTION
1	001661-45	Red Index-HW
2	001638-45	Lever Handle
3	012443-40	Hot Eterna Spindle Assembly w/ Spring Check
4	002712-40	Hot Eterna Spindle Assembly w/ Spring Check, Handle, Index & Screw
5	012442-40	Cold Eterna Spindle Assembly w/ Spring Check
6	B-0969	Vacuum Breaker, 1/2"
7	001019-45	Coupling Nut Washer
8	00GG-RGH	Flange Assembly, 1/2" NPT, Adjustable
9	002711-40	Cold Eterna Spindle Assembly w/ Spring Check, Handle, Index & Screw
10	001660-45	Blue Index-CW
11	000922-45	Lever Handle Screw



Product Specifications:

Service Sink Faucet, Rough Chrome Finish, Vacuum Breaker, Lever Handles, Wall Brace, 1/2" NPT Female Adjustable Inlets & Male Garden Hose Outlet

Drawn DHL	Checked ARH	Approved JHB
Scale: 1:4		Date: 06/03/09