



T&S BRASS AND BRONZE WORKS, INC.

2 Saddleback Cove / P.O. Box 1088
Travelers Rest, SC 29690

Model No.

B-0669-CR-RGH

Item No.

Travelers Rest, SC: 800-476-4103 • Simi Valley, CA: 800-423-0150 • Fax: 864-834-3518 • www.tsbrass.com



ADA Compliant

This Space for Architect/Engineer Approval

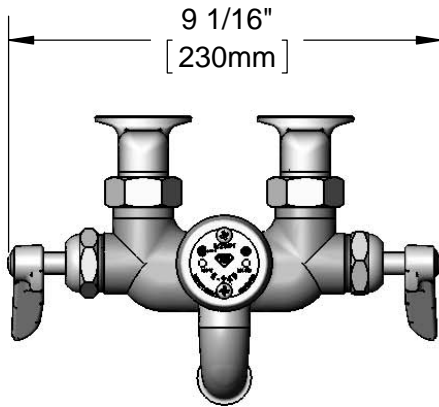
Job Name _____ Date _____

Model Specified _____ Quantity _____

Customer/Wholesaler _____

Contractor _____

Architect/Engineer _____



B-0969
1/2" NPT Atmospheric
Vacuum Breaker

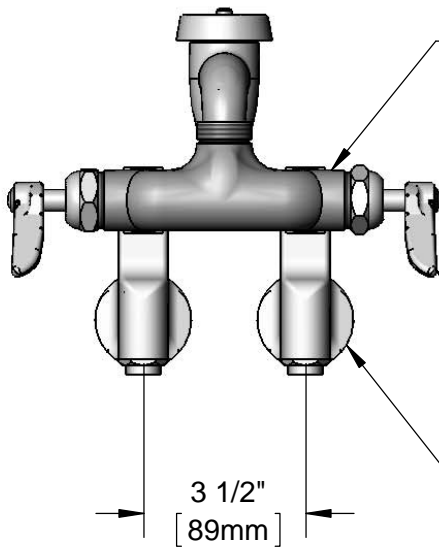
3/4" Garden
Hose Male
Outlet

Rough Chrome
Finish on Faucet
Body & Spout

Cerama Cartridges w/
Check Valves &
Lever Handles w/
Color Coded Indexes

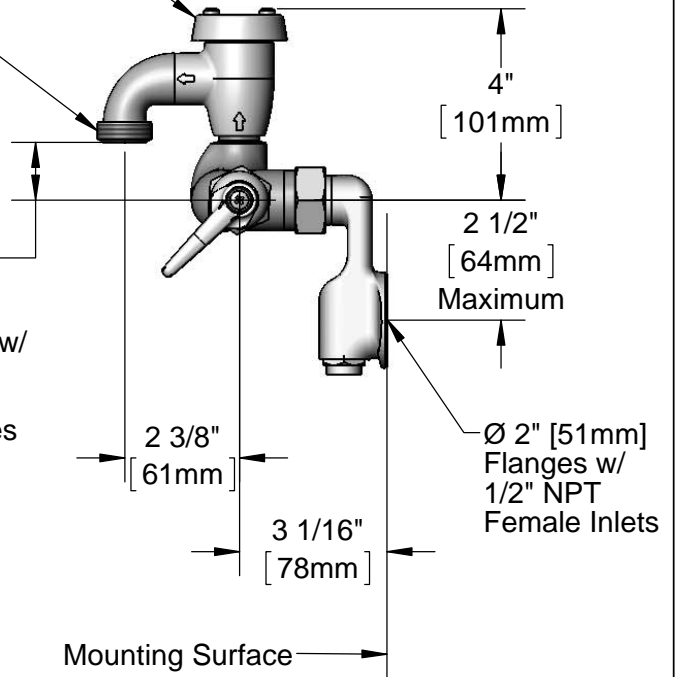
Integral
Service Stop

Inlets Adjustable from
2 1/4" to 8 1/4" [57mm to 210mm]
Below or Above Centerline.



3 1/2"
[89mm]

1 3/16"
[30mm]



4"
[101mm]

2 1/2"
[64mm]
Maximum

Ø 2" [51mm]
Flanges w/
1/2" NPT
Female Inlets

2 3/8"
[61mm]

3 1/16"
[78mm]

Mounting Surface

Product Specifications:

Wall Mount Rough Chrome Service Sink, Cerama Cartridges w/ Check Valves, Short Spout w/ 3/4" Garden Hose Outlet, Lever Handles & 1/2" Female Inlet Adjustable Wall Flanges w/ Integral Servicet Stops

Product Compliance:

ASME A112.18.1 / CSA B125.1
NSF 61 Exempt (Non-Potable)
ANSI A117.1 (ADA)
ASSE 1001



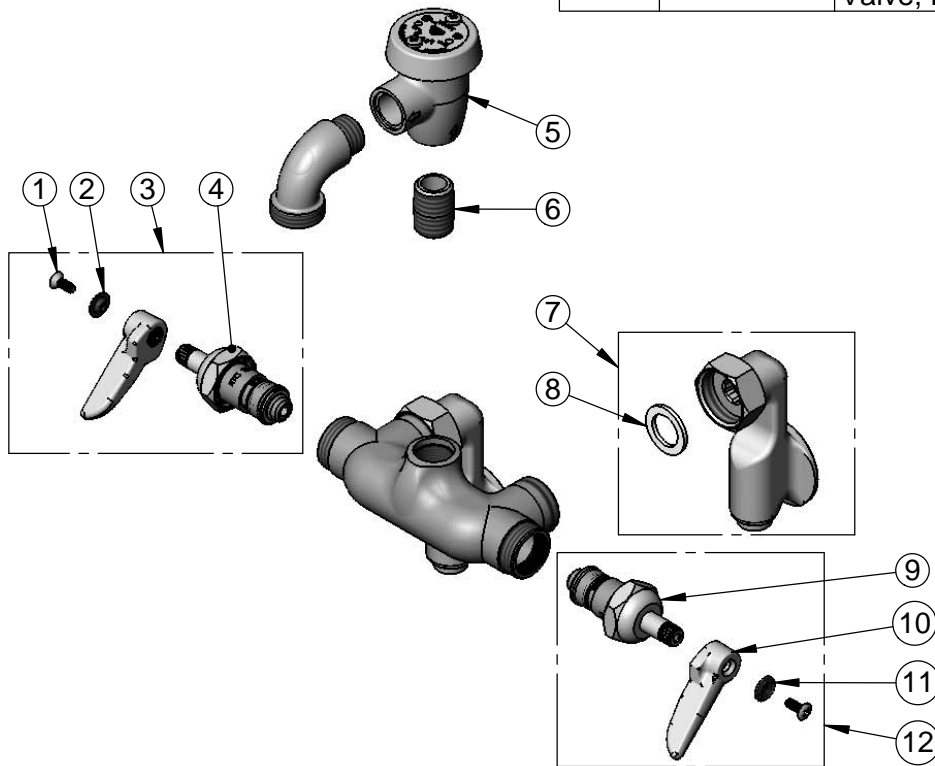
T&S BRASS AND BRONZE WORKS, INC.
 2 Saddleback Cove / P.O. Box 1088
 Travelers Rest, SC 29690

Model No.
B-0669-CR-RGH

Item No.

Travelers Rest, SC: 800-476-4103 • Simi Valley, CA: 800-423-0150 • Fax: 864-834-3518 • www.tsbrass.com

ITEM NO.	SALES NO.	DESCRIPTION
1	000922-45	Lever Handle Screw
2	001661-45	Red Index-HW
3	012446-25	Cerama Cartridge, RTC w/ Check Valve, Handle, Index & Screw
4	012394-25	Cerama Cartridge, RTC w/ Check Valve
5	B-0969	1/2" NPT Vacuum Breaker
6	002534-25	Close Nipple, 1/2" NPT
7	00XX-RGH	Adjustable Wall Flange w/ Inlet Stops, Rough Chrome
8	001019-45	Coupling Nut Washer
9	012395-25	Cerama Cartridge, LTC w/ Check Valve
10	001638-45	Lever Handle
11	001660-45	Blue Index-CW
12	012447-25	Cerama Cartridge, LTC w/ Check Valve, Handle, Index & Screw



Product Specifications:

Wall Mount Rough Chrome Service Sink, Cerama Cartridges w/ Check Valves, Short Spout w/ 3/4" Garden Hose Outlet, Lever Handles & 1/2" Female Inlet Adjustable Wall Flanges w/ Integral Servicet Stops

Product Compliance:

ASME A112.18.1 / CSA B125.1
 NSF 61 Exempt (Non-Potable)
 ANSI A117.1 (ADA)
 ASSE 1001