



T&S BRASS AND BRONZE WORKS, INC.

2 Saddleback Cove / P.O. Box 1088
Travelers Rest, SC 29690



REG. #A2601
ISO #9001

Model No.
B-0670-01

Item No.

Travelers Rest, SC: 800-476-4103 Simi Valley, CA: 800-423-0150 Fax: 864-834-3518 www.tsbrass.com

This Space for Architect/Engineer Approval

Job Name _____ Date _____

Model Specified _____ Quantity _____

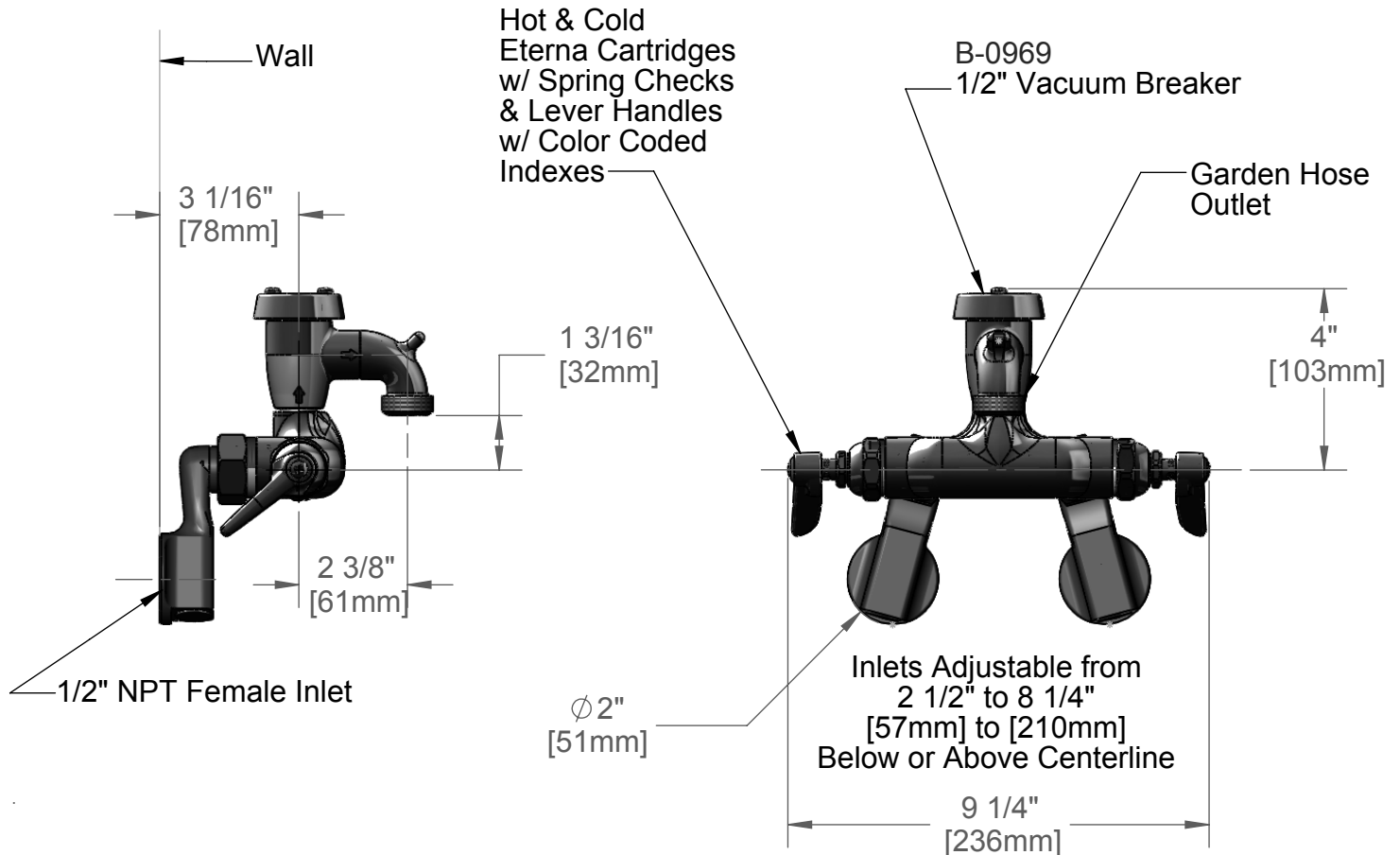
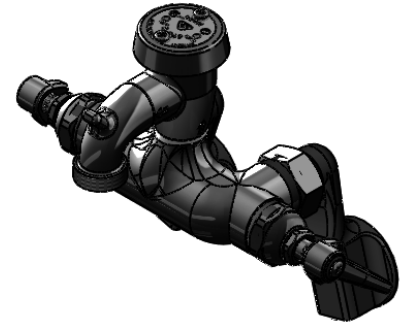
Customer/Wholesaler _____

Contractor _____

Architect/Engineer _____



ADA Compliant



Product Specifications:

Wall Mount Polish Chrome Mixing Faucet, 1/2" NPT Adjustable Inlets, Pail Hook Spout & GG Flanges

Drawn DHL	Checked GEF	Approved JHB
Scale: 1:4		Date: 5/16/08



T&S BRASS AND BRONZE WORKS, INC.

2 Saddleback Cove / P.O. Box 1088
Travelers Rest, SC 29690



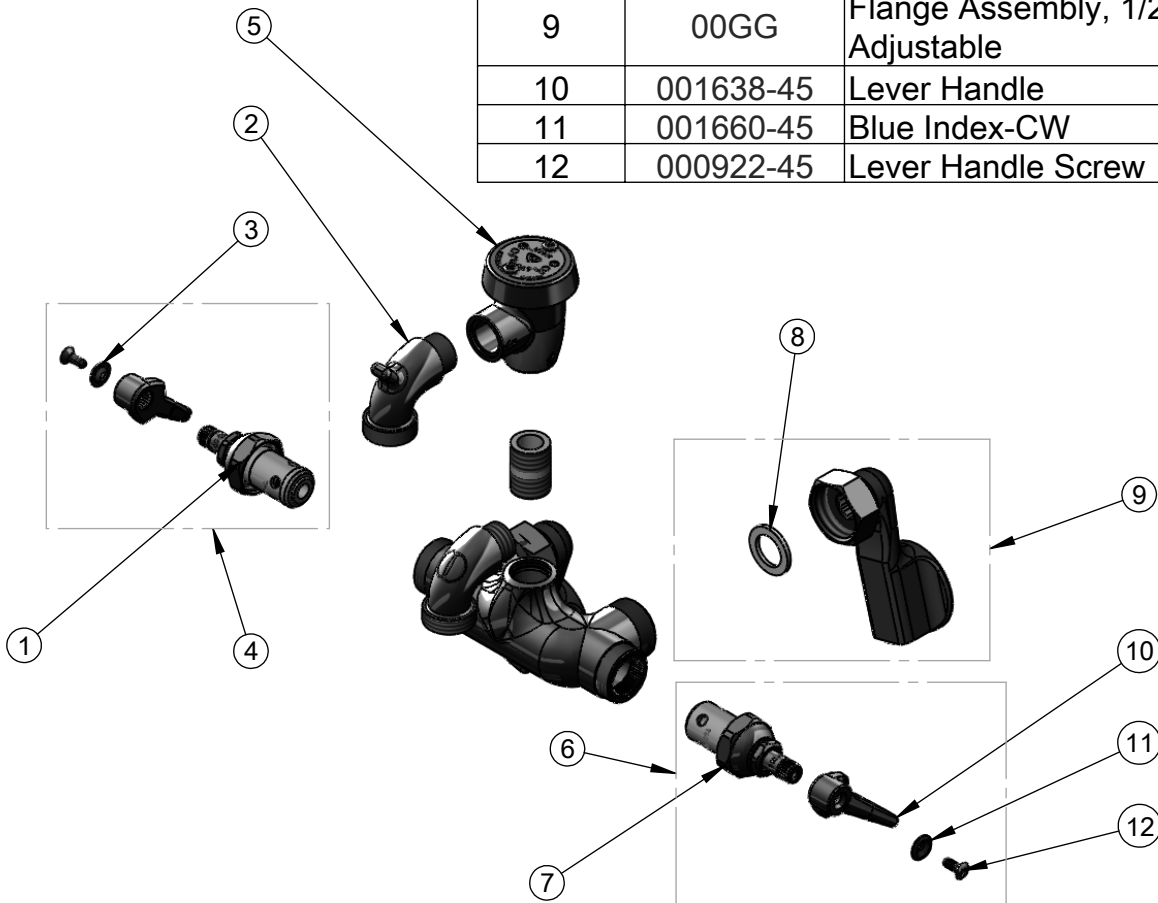
REG. #A2601
ISO #9001

Model No.
B-0670-01

Item No.

Travelers Rest, SC: 800-476-4103 Simi Valley, CA: 800-423-0150 Fax: 864-834-3518 www.tsbrass.com

ITEM NO.	SALES NO.	DESCRIPTION
1	012443-40	Hot Eterna Spindle Assembly w/ Spring Check
2	000270-40	Spout, Garden Hose Outlet
3	001661-45	Red Index-HW
4	002712-40	Hot Eterna Spindle Assembly w/ Spring Check, Handle, Index & Screw
5	B-0969	Vacuum Breaker, 1/2"
6	002711-40	Cold Eterna Spindle Assembly w/ Spring Check, Handle, Index & Screw
7	012442-40	Cold Eterna Spindle Assembly w/ Spring Check
8	001019-45	Coupling Nut Washer
9	00GG	Flange Assembly, 1/2" NPT, Adjustable
10	001638-45	Lever Handle
11	001660-45	Blue Index-CW
12	000922-45	Lever Handle Screw



Product Specifications:

Wall Mount Polish Chrome Mixing Faucet, 1/2" NPT
Adjustable Inlets, Pail Hook Spout & GG Flanges

Drawn DHL	Checked GEF	Approved JHB
Scale: 1:4		Date: 5/16/08