



T&S BRASS AND BRONZE WORKS, INC.

2 Saddleback Cove / P.O. Box 1088
Travelers Rest, SC 29690



REG. #A2601
ISO #9001

Model No.
B-0670-RGH

Item No.

Travelers Rest, SC: 800-476-4103 Simi Valley, CA: 800-423-0150 Fax: 864-834-3518 www.tsbrass.com

This Space for Architect/Engineer Approval

Job Name _____ Date _____

Model Specified _____ Quantity _____

Customer/Wholesaler _____

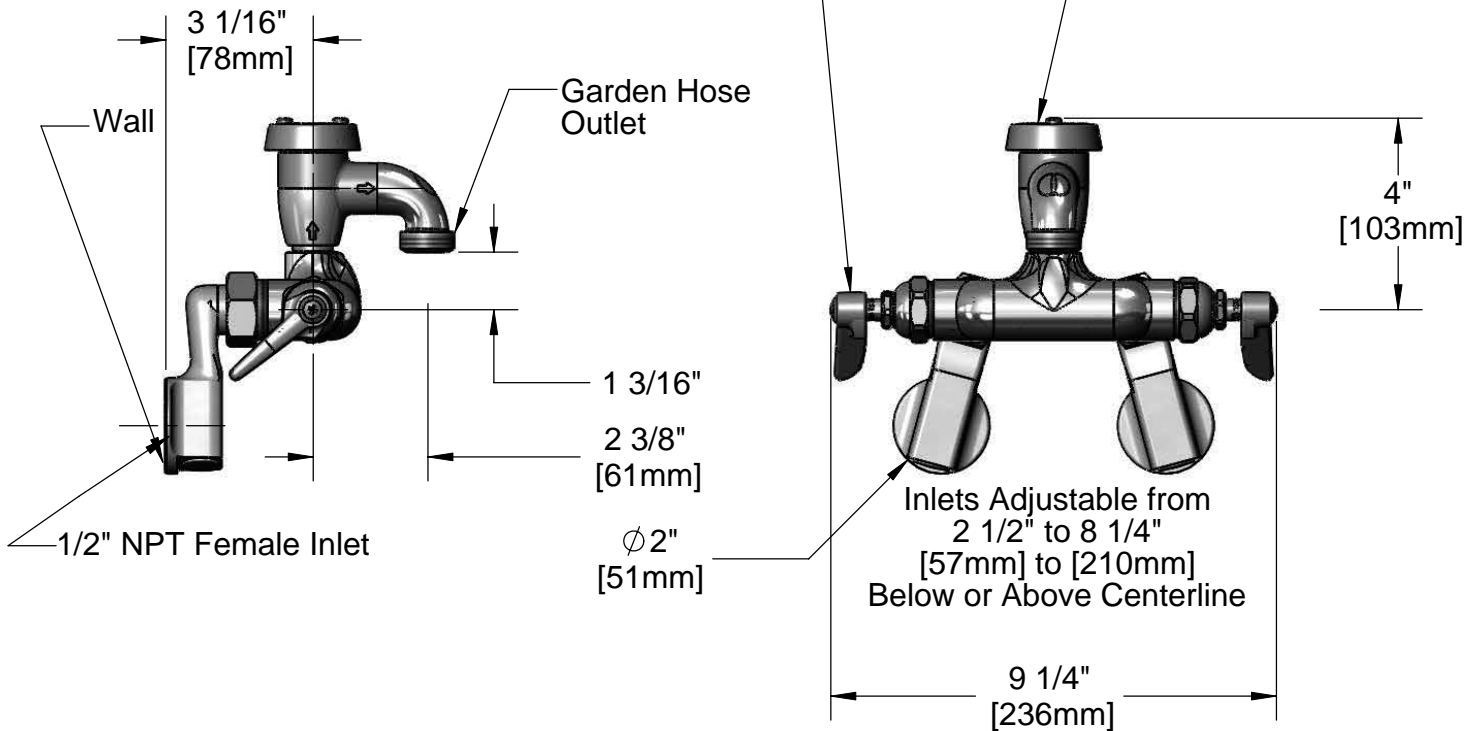
Contractor _____

Architect/Engineer _____



Hot & Cold
Eterna Cartridges
w/ Spring Checks
& Lever Handles
w/ Color Coded Indexes

B-0969
1/2" Vacuum Breaker



Product Specifications:

Wall Mount W/ Rough Chrome Mixing Faucet,
Vacuum Breaker, Adjustable Inlets, &
3/4" Garden Hose Thread Outlet

Drawn DHL	Checked ARH	Approved JHB
Scale: 1:4		Date: 06/03/09



T&S BRASS AND BRONZE WORKS, INC.

2 Saddleback Cove / P.O. Box 1088
Travelers Rest, SC 29690



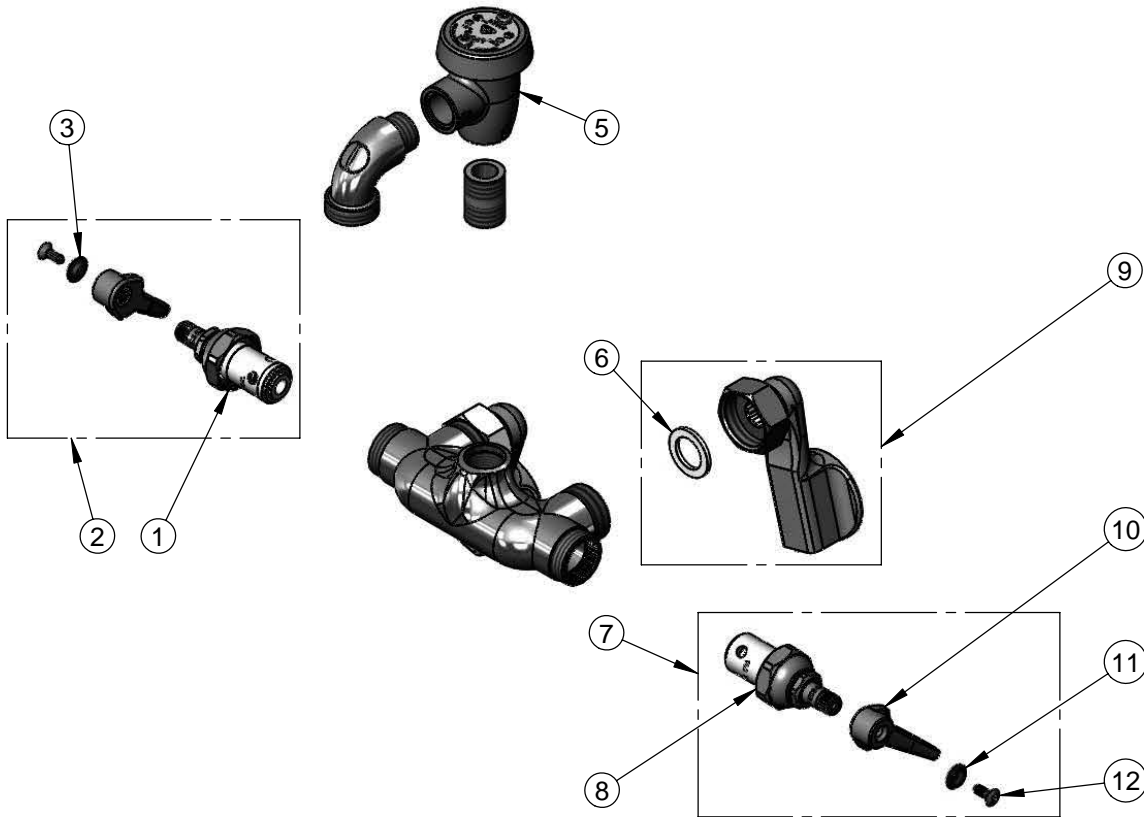
REG. #A2601
ISO #9001

Model No.
B-0670-RGH

Item No.

Travelers Rest, SC: 800-476-4103 Simi Valley, CA: 800-423-0150 Fax: 864-834-3518 www.tsbrass.com

ITEM NO.	SALES NO.	DESCRIPTION
1	012443-40	Hot Eterna Spindle Assembly w/ Spring Check
2	002712-40	Hot Eterna Spindle Assembly w/ Spring Check, Handle, Index & Screw
3	001661-45	Red Index-HW
4	001618-25	Spout, Short
5	B-0969	Vacuum Breaker, 1/2"
6	001019-45	Coupling Nut Washer
7	002711-40	Cold Eterna Spindle Assembly w/ Spring Check, Handle, Index & Screw
8	012442-40	Cold Eterna Spindle Assembly w/ Spring Check
9	00GG-RGH	Flange Assembly, 1/2" NPT, Adjustable
10	001638-45	Lever Handle
11	001660-45	Blue Index-CW
12	000922-45	Lever Handle Screw



Product Specifications:

Wall Mount W/ Rough Chrome Mixing Faucet,
Vacuum Breaker, Adjustable Inlets, &
3/4" Garden Hose Thread Outlet

Drawn DHL	Checked ARH	Approved JHB
Scale: 1:4		Date: 06/03/09