



# T&S BRASS AND BRONZE WORKS, INC.

2 Saddleback Cove / P.O. Box 1088  
Travelers Rest, SC 29690

Model No.

**B-0674-BSTP**

Item No.

Travelers Rest, SC: 800-476-4103 • Simi Valley, CA: 800-423-0150 • Fax: 864-834-3518 • www.tsbrass.com



**ADA Compliant**

This Space for Architect/Engineer Approval

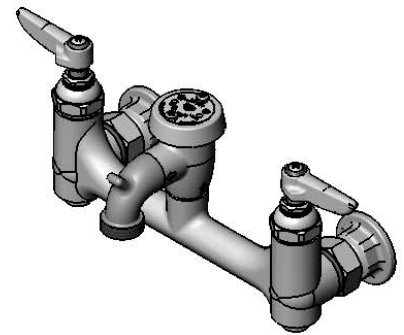
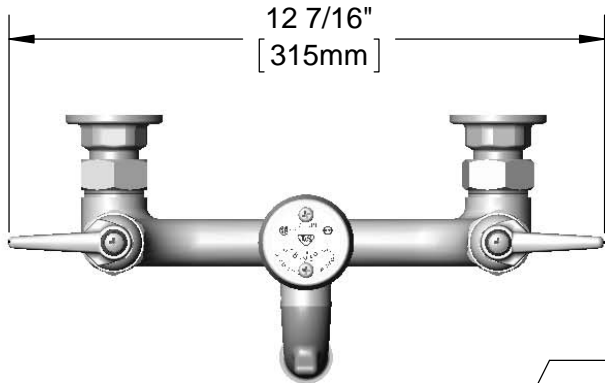
Job Name \_\_\_\_\_ Date \_\_\_\_\_

Model Specified \_\_\_\_\_ Quantity \_\_\_\_\_

Customer/Wholesaler \_\_\_\_\_

Contractor \_\_\_\_\_

Architect/Engineer \_\_\_\_\_

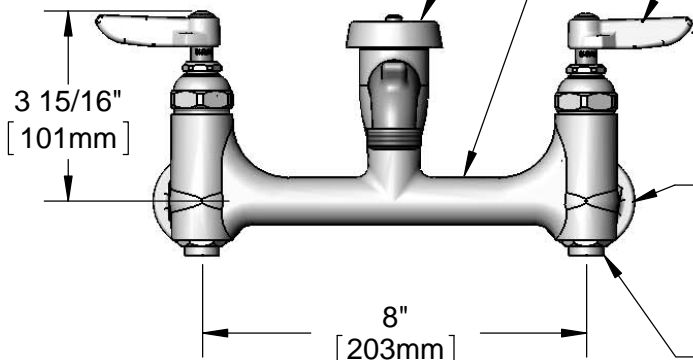


B-0969  
1/2" NPT Vacuum  
Breaker

Polished Chrome  
Finish on Faucet  
Body & Spout

Pail Hook Spout  
w/ Garden Hose  
Male Outlet

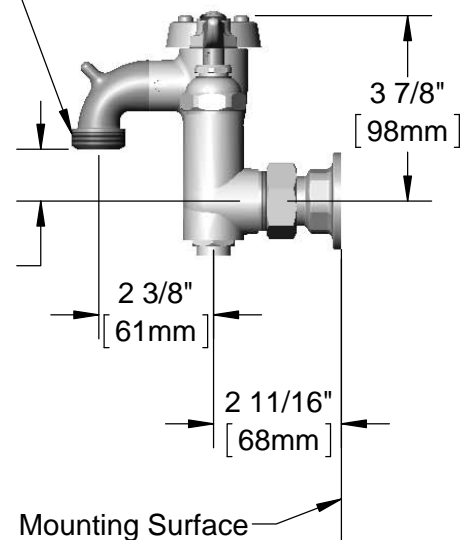
Eterna Cartridges w/  
Spring Checks &  
Lever Handles w/  
Color Coded Indexes



Ø 2" [51mm]  
Flanges w/  
1/2" NPT  
Female Inlets

Built-In Service  
Stops

Adjustable From  
7 3/4" to 8 1/4"  
[197mm to 210mm]



Mounting Surface

**Product Specifications:**

Wall Mount Service Sink Faucet, Eterna Cartridges w/ Spring Checks, Lever Handles, Pail Hook Spout w/ Garden Hose Male Outlet, Polish Chrome Finish, Built-In Service Stops & 1/2" NPT Female Adjustable Inlets

**Product Compliance:**

ASME A112.18.1 / CSA B125.1  
NSF 61 Exempt (Non-Potable)  
ANSI A117.1 (ADA)  
ASSE 1001 (VB)



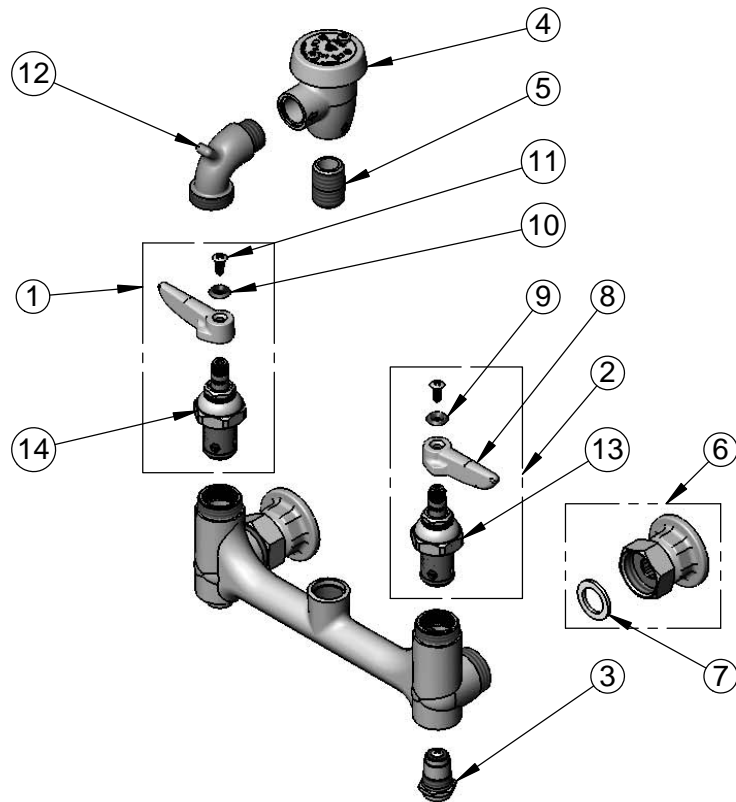
**T&S BRASS AND BRONZE WORKS, INC.**  
 2 Saddleback Cove / P.O. Box 1088  
 Travelers Rest, SC 29690

Model No.  
**B-0674-BSTP**

Item No.

Travelers Rest, SC: 800-476-4103 • Simi Valley, CA: 800-423-0150 • Fax: 864-834-3518 • www.tsbrass.com

ITEM NO.	SALES NO.	DESCRIPTION
1	002712-40	Eterna Cartridge - RTC w/ Spring Check, Handle, Index & Screw
2	002711-40	Eterna Cartridge - LTC w/ Spring Check, Handle, Index & Screw
3	163A	Built-in Service Stop
4	B-0969	1/2" NPT Vacuum Breaker
5	002534-25	Close Nipple, 1/2" NPT
6	00AA	1/2" NPT Female Eccentric Flange
7	001019-45	Coupling Nut Washer
8	001638-45	Lever Handle
9	001660-45	Blue Index-CW
10	001661-45	Red Index-HW
11	000922-45	Lever Handle Screw
12	000270-40	Spout, Garden Hose Male Outlet
13	012442-40	Eterna Cartridge - LTC w/ Spring Check
14	012443-40	Eterna Cartridge - RTC w/ Spring Check



**Product Specifications:**  
 Wall Mount Service Sink Faucet, Eterna Cartridges w/ Spring Checks, Lever Handles, Pail Hook Spout w/ Garden Hose Male Outlet, Polish Chrome Finish, Built-In Service Stops & 1/2" NPT Female Adjustable Inlets

**Product Compliance:**  
 ASME A112.18.1 / CSA B125.1  
 NSF 61 Exempt (Non-Potable)  
 ANSI A117.1 (ADA)  
 ASSE 1001 (VB)