



T&S BRASS AND BRONZE WORKS, INC.

2 Saddleback Cove / P.O. Box 1088
Travelers Rest, SC 29690

Model No.

B-0674-CR-BSTP

Item No.

Travelers Rest, SC: 800-476-4103 • Simi Valley, CA: 800-423-0150 • Fax: 864-834-3518 • www.tsbrass.com

This Space for Architect/Engineer Approval

Job Name _____ Date _____

Model Specified _____ Quantity _____

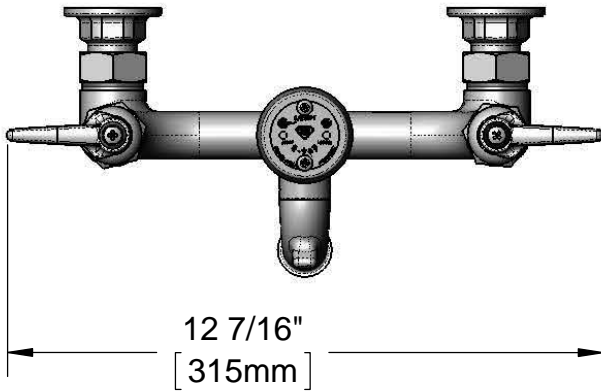
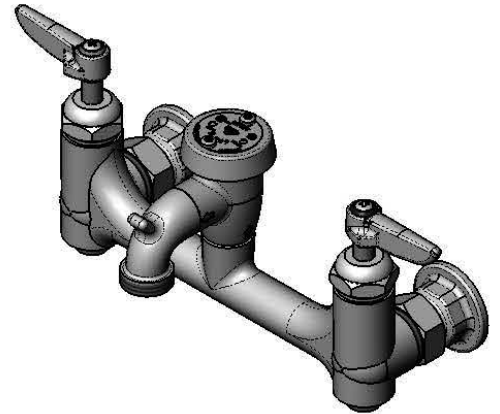
Customer/Wholesaler _____

Contractor _____

Architect/Engineer _____



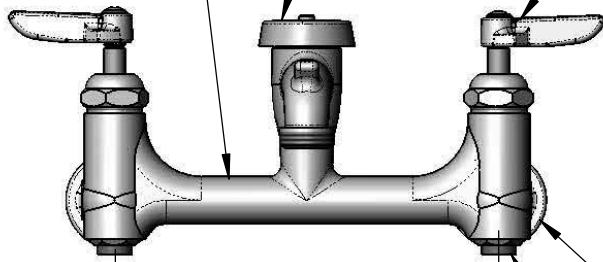
ADA Compliant



Polished Chrome Finish on Faucet Body & Spout

B-0969 1/2" NPT Atmospheric Vacuum Breaker

Cerama Cartridges w/ Check Valves & Lever Handles w/ Color Coded Indexes

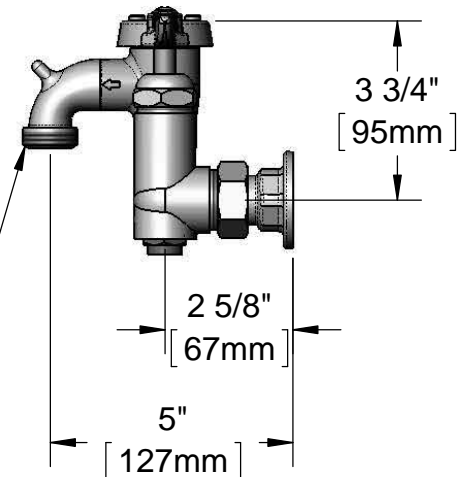


Male Garden Hose Connection

Ø 2" [51mm] Flanges w/ 1/2" NPT Female Inlets

Adjustable From 7 3/4" to 8 1/4" [197mm to 210mm]

163A Integral Service Stop



Product Specifications:

Polished Chrome Service Sink w/ Inlet Stops, Cerama Cartridges w/ Check Valves, Lever Handles, 1/2" NPT Vacuum Breaker & 1/2" NPT Female Inlets

Drawn

KJG

Checked

DHL

Approved

JHB

Scale:

1:4

Date:

04/27/12



T&S BRASS AND BRONZE WORKS, INC.

2 Saddleback Cove / P.O. Box 1088
Travelers Rest, SC 29690

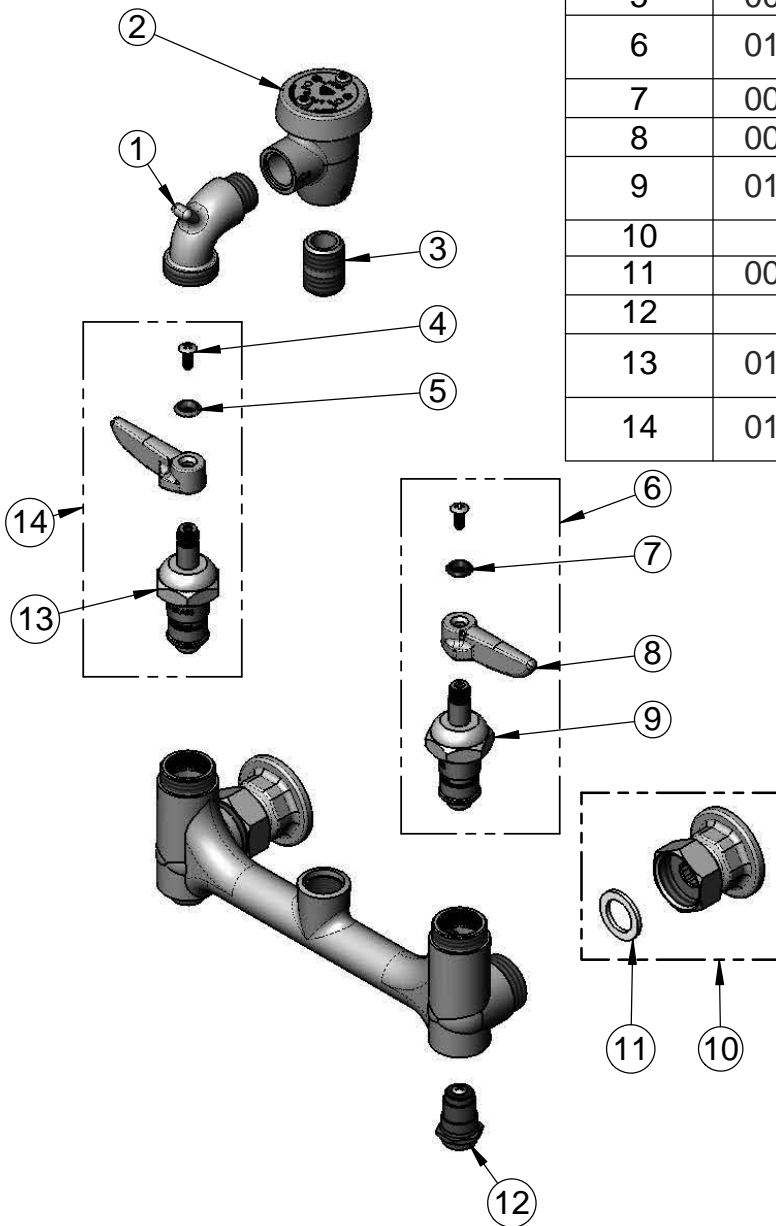
Model No.

B-0674-CR-BSTP

Item No.

Travelers Rest, SC: 800-476-4103 • Simi Valley, CA: 800-423-0150 • Fax: 864-834-3518 • www.tsbrass.com

ITEM NO.	SALES NO.	DESCRIPTION
1	000270-40	Spout, Garden Hose Outlet
2	B-0969	1/2" NPT Vacuum Breaker
3	002534-25	Close Nipple, 1/2" x 1 5/32" Lg Rough Chrome
4	000922-45	Lever Handle Screw
5	001661-45	Red Index-HW
6	012447-25	Cerama Cartridge, LTC w/ Check Valve, Handle, Index & Screw
7	001660-45	Blue Index-CW
8	001638-45	Lever Handle
9	012395-25	Cerama Cartridge, LTC w/ Bonnet & Check Valve
10	00AA	1/2" NPT Female Flange Assembly
11	001019-45	Coupling Nut Washer
12	163A	Built-in Service Stop Assembly
13	012394-25	Cerama Cartridge, RTC w/ Bonnet & Check Valve
14	012446-25	Cerama Cartridge, RTC w/ Check Valve, Handle, Index & Screw



Product Specifications:
Polished Chrome Service Sink w/ Inlet Stops, Cerama Cartridges w/ Check Valves, Lever Handles, 1/2" NPT Vacuum Breaker & 1/2" NPT Female Inlets

Drawn KJG	Checked DHL	Approved JHB
Scale: NTS		Date: 04/27/12