



T&S BRASS AND BRONZE WORKS, INC.

2 Saddleback Cove / P.O. Box 1088
Travelers Rest, SC 29690



REG. #A2601
ISO #9001

Model No.

B-0674-CR-POL

Item No.

Travelers Rest, SC: 800-476-4103 • Simi Valley, CA: 800-423-0150 • Fax: 864-834-3518 • www.tsbrass.com

This Space for Architect/Engineer Approval

Job Name _____ Date _____

Model Specified _____ Quantity _____

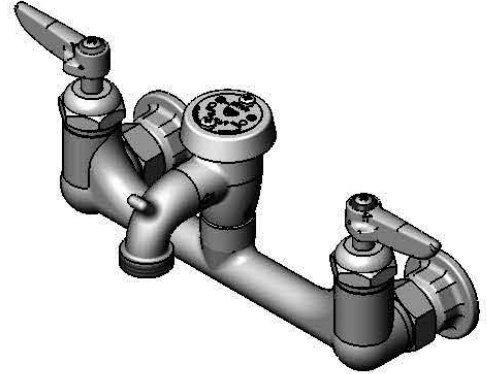
Customer/Wholesaler _____

Contractor _____

Architect/Engineer _____



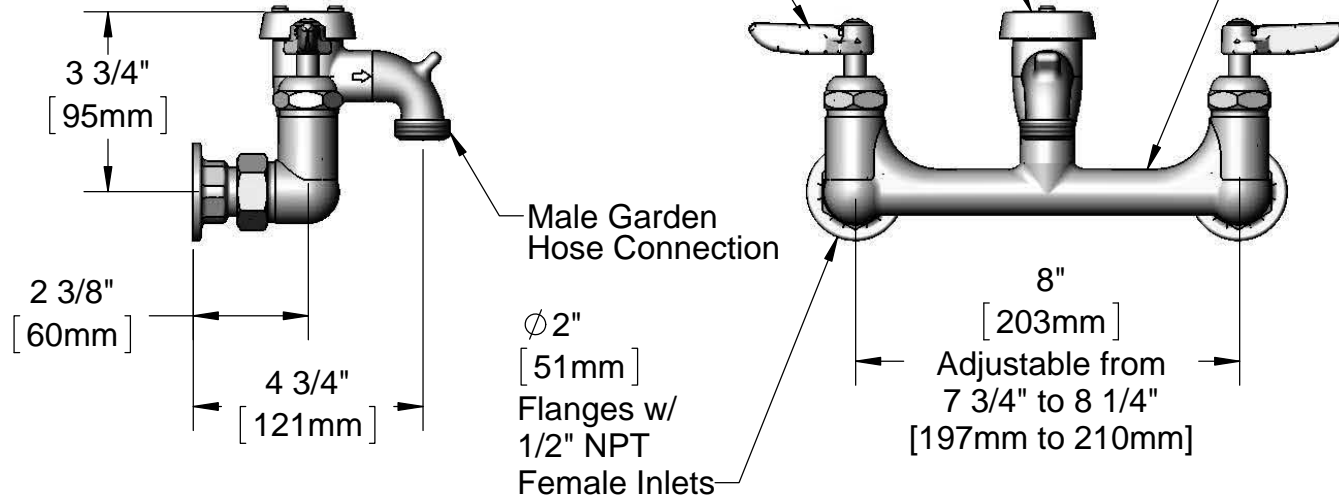
ADA Compliant



Cerama Cartridges
w/ Check Valves &
Lever Handles w/
Color Coded Indexes

B-0969
1/2" NPT
Vacuum
Breaker

Polished Chrome
Finish on Faucet
Body & Spout



Product Specifications:

Service Sink Faucet w/ Cerama Cartridges w/ Check Valves, Lever
Handles, 1/2 " NPT Female Inlets, & Polished Chrome

Drawn

KJG

Checked

DMH

Approved

JHB

Scale:

1:4

Date:

08/29/11



T&S BRASS AND BRONZE WORKS, INC.

2 Saddleback Cove / P.O. Box 1088
 Travelers Rest, SC 29690



REG. #A2601
 ISO #9001

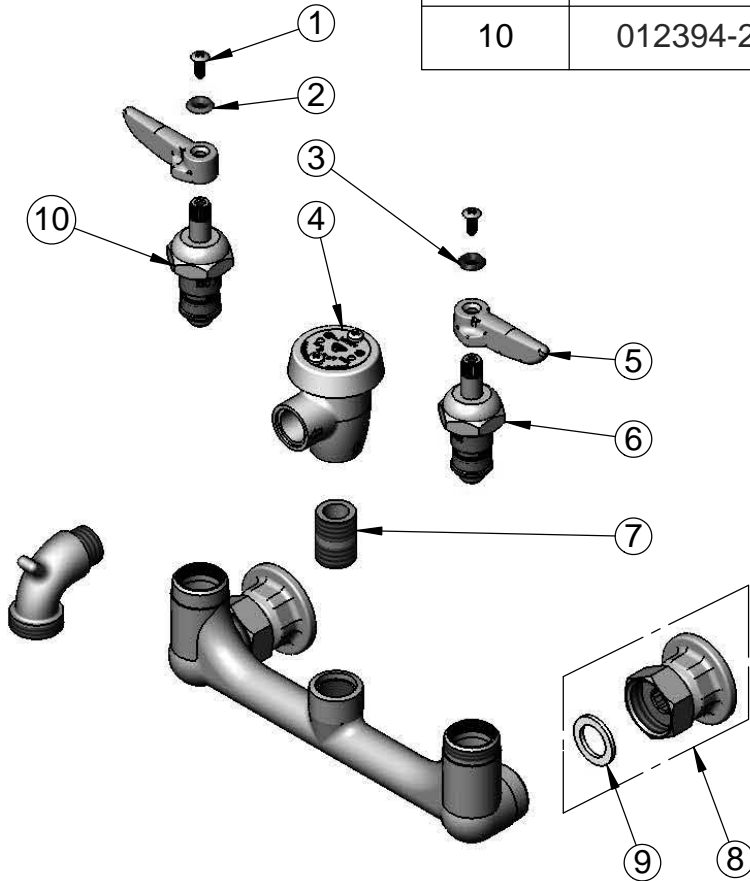
Model No.

B-0674-CR-POL

Item No.

Travelers Rest, SC: 800-476-4103 • Simi Valley, CA: 800-423-0150 • Fax: 864-834-3518 • www.tsbrass.com

ITEM NO.	SALES NO.	DESCRIPTION
1	000922-45	Lever Handle Screw
2	001661-45	Red Index-HW
3	001660-45	Blue Index-CW
4	B-0969	1/2" NPT Vacuum Breaker
5	001638-45	Lever Handle
6	012395-25	Cerama Cartridge, LTC w/ Check Valve
7	002534-25	Close Nipple, 1/2" x 1 5/32" Lg Rough Chrome
8	00AA	Flange Assembly
9	001019-45	Coupling Nut Washer
10	012394-25	Cerama Cartridge, RTC w/ Check Valve



Product Specifications:

Service Sink Faucet w/ Cerama Cartridges w/ Check Valves, Lever Handles, 1/2 " NPT Female Inlets, & Polished Chrome

Drawn

KJG

Checked

DMH

Approved

JHB

Scale:

NTS

Date:

08/29/11