



T&S BRASS AND BRONZE WORKS, INC.
 2 Saddleback Cove / P.O. Box 1088
 Travelers Rest, SC 29690

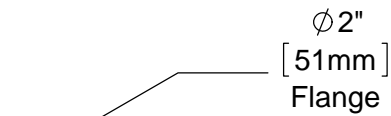
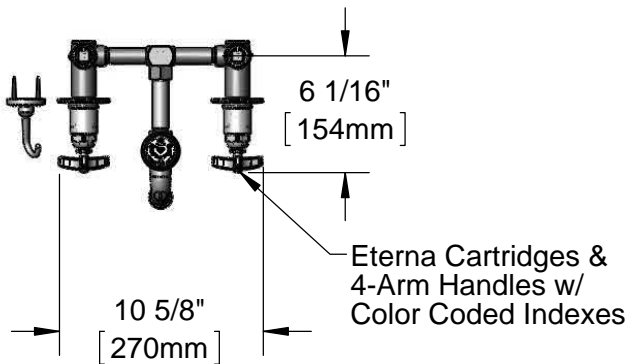
Model No.
B-0682-ST

Item No.

Travelers Rest, SC: 800-476-4103 • Simi Valley, CA: 800-423-0150 • Fax: 864-834-3518 • www.tsbrass.com

This Space for Architect/Engineer Approval

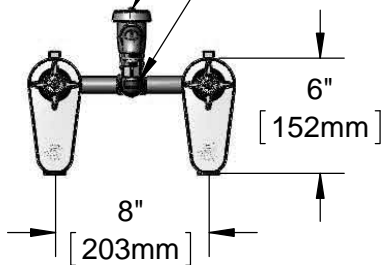
Job Name _____ Date _____
 Model Specified _____ Quantity _____
 Customer/Wholesaler _____
 Contractor _____
 Architect/Engineer _____



B-0068-R
68" Reinforced PVC
Hose & Spray Valve
w/ Extended Nozzle

B-0969
Vacuum Breaker

Items Not Shown
for Clarity



B-0104-D
Dummy Wall
Hook

Mounting
Surface

4 15/16"
[126mm]

2 3/8"
[61mm]

4"
[101mm]

Concealed
Mixing Valve

Loose Key
Valve Behind
Wall Flanges

1/2" NPT
Female Inlets

2 1/4"
[57mm]
Minimum

3 1/2"
[89mm]
Maximum

Rough-In Requirement:
 (2) ∅1 1/2" [38mm] Mounting Holes

Product Specifications:

Bedpan Washer, 8" Concealed Bypass Mixing Valve, Eterna Cartridges, 4-Arm Handles, Vacuum Breaker, 68" Reinforced PVC Hose, Spray Valve w/ Extended Nozzle, Dummy Wall Hook, Loose Key Stops & 1/2" NPT Female Inlets

Product Compliance:

ASME A112.18.1 / CSA B125.1
 NSF 61 - Section 9
 NSF 372 (Low Lead Content)
 ASSE 1001 (VB)



T&S BRASS AND BRONZE WORKS, INC.

2 Saddleback Cove / P.O. Box 1088
Travelers Rest, SC 29690

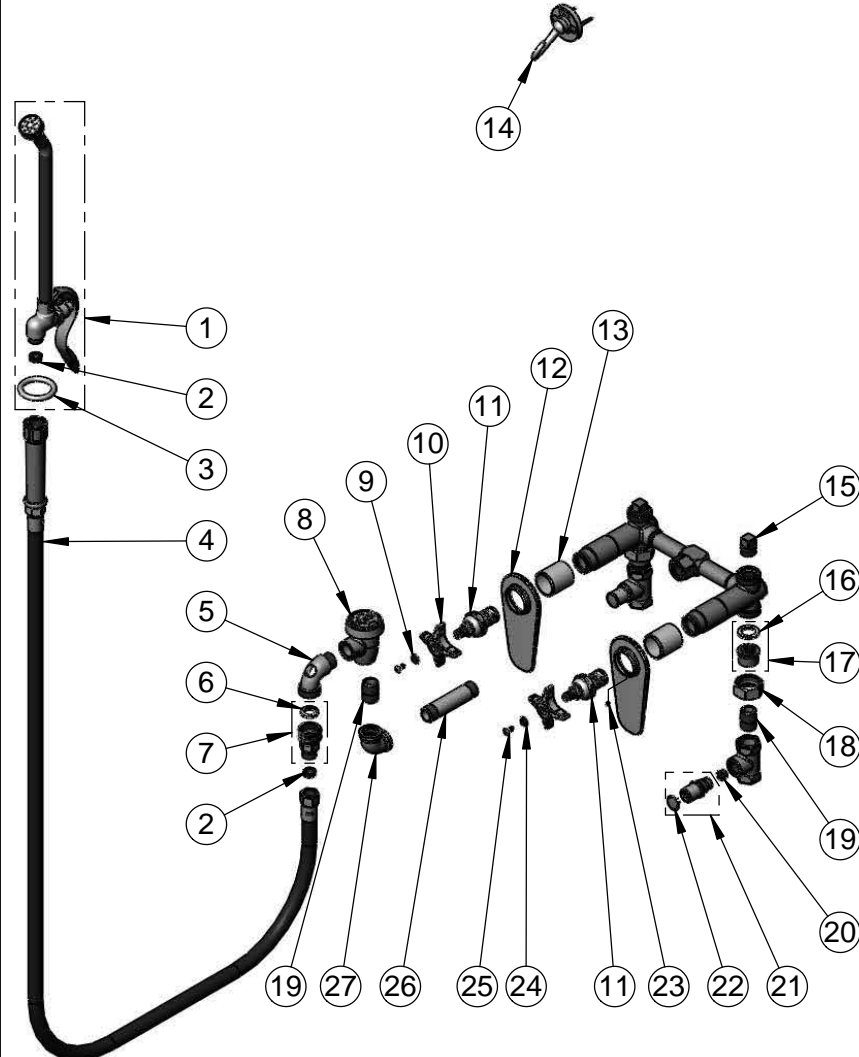
Model No.

B-0682-ST

Item No.

Travelers Rest, SC: 800-476-4103 • Simi Valley, CA: 800-423-0150 • Fax: 864-834-3518 • www.tsbrass.com

ITEM NO.	SALES NO.	DESCRIPTION
2	010476-45	#27 Washer
3	000907-45	Spray Valve Hold Down Ring
4	B-0068-R	68" Reinforced PVC Hose
5	001618-40	Spout, Short
6	001019-45	Coupling Nut Washer
7	059A	Adapter, Garden Hose
8	B-0969	1/2" NPT Vacuum Breaker
9	001661-45	Red Index-HW
10	002521-45	4-Arm Handle
11	005960-40	Eterna Cartridge, RTC
12	002820-40	Escutcheon, Tear Drop
13	151F	Escutcheon Tube
14	B-0104	Dummy Wall Hook
15	001347-20	1/2" NPT Square Head Plug
16	001019-45	Coupling Nut Washer
17	153F	Union Half, 1/2 NPT w/ Washer
18	000721-25	Flange Coupling Nut
19	002534-25	Close Nipple, 1/2" NPT
20	000763-20	Seat
21	002892-40	Service Stop Spindle w/ Cap
22	001605-45	Cap
23	000939-45	Escutcheon, Set Screw
24	001660-45	Blue Index-CW
25	000922-45	Lever Handle Screw
26	002556-40	Nipple, 1/2" NPT x 3 1/2"
27	001357-40	Cast Elbow, 1/2"



Product Specifications:

Bedpan Washer, 8" Concealed Bypass Mixing Valve, Eterna Cartridges, 4-Arm Handles, Vacuum Breaker, 68" Reinforced PVC Hose, Spray Valve w/ Extended Nozzle, Dummy Wall Hook, Loose Key Stops & 1/2" NPT Female Inlets

Product Compliance:

ASME A112.18.1 / CSA B125.1
NSF 61 - Section 9
NSF 372 (Low Lead Content)
ASSE 1001 (VB)