



T&S BRASS AND BRONZE WORKS, INC.

2 SADDLEBACK COVE / P.O. BOX 1088 / TRAVELERS REST, SC 29690

PHONE 800-476-4103

FAX 803- 834-3518

Model No.

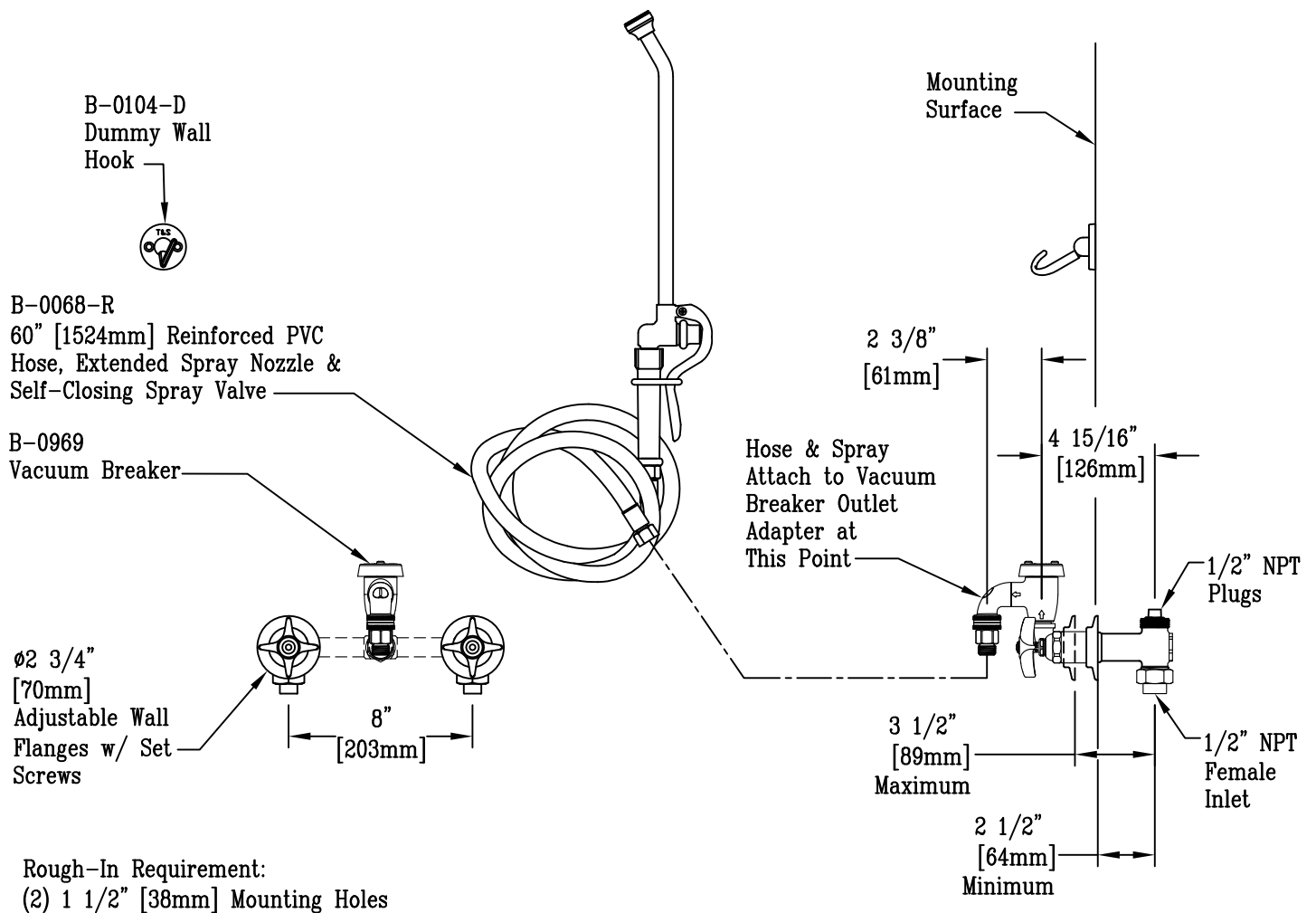
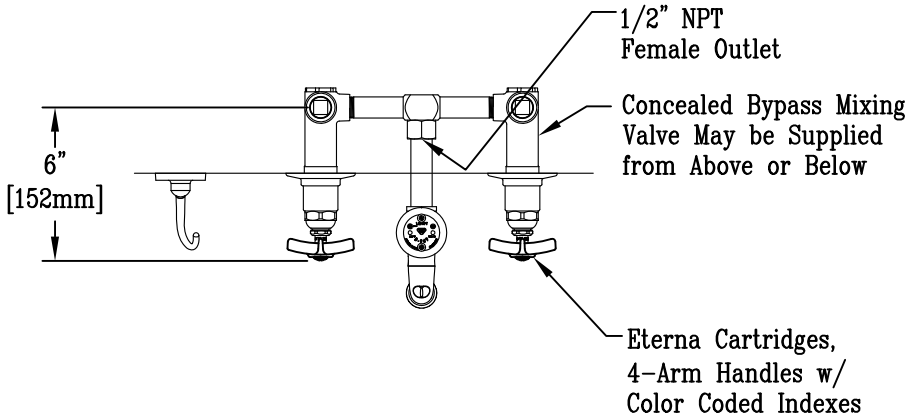
B-0682

Item No.:

Job Name:

Architect/Engineer Approval:

Notes:



Product Description:
8" Bedpan Washer, Eterna Cartridges, 4-Arm Handles, Concealed Mixing Valve, Vacuum Breaker, Self-Closing Valve w/ Extended Spray Outlet & 1/2" NPT Female Inlets

Drawn: KJG	Checked DMH	Scale: 1 : 8
Approved JHB	Date: 03/17/14	