



T&S BRASS AND BRONZE WORKS, INC.

2 Saddleback Cove / P.O. Box 1088
Travelers Rest, SC 29690



REG. #A2601
ISO #9001

Model No.

B-0689

Item No.

Travelers Rest, SC: 800-476-4103 Simi Valley, CA: 800-423-0150 Fax: 864-834-3518 www.tsbrass.com

This Space for Architect/Engineer Approval

Job Name _____ Date _____

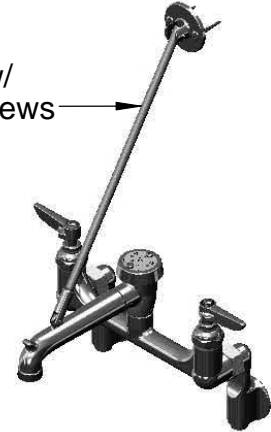
Model Specified _____ Quantity _____

Customer/Wholesaler _____

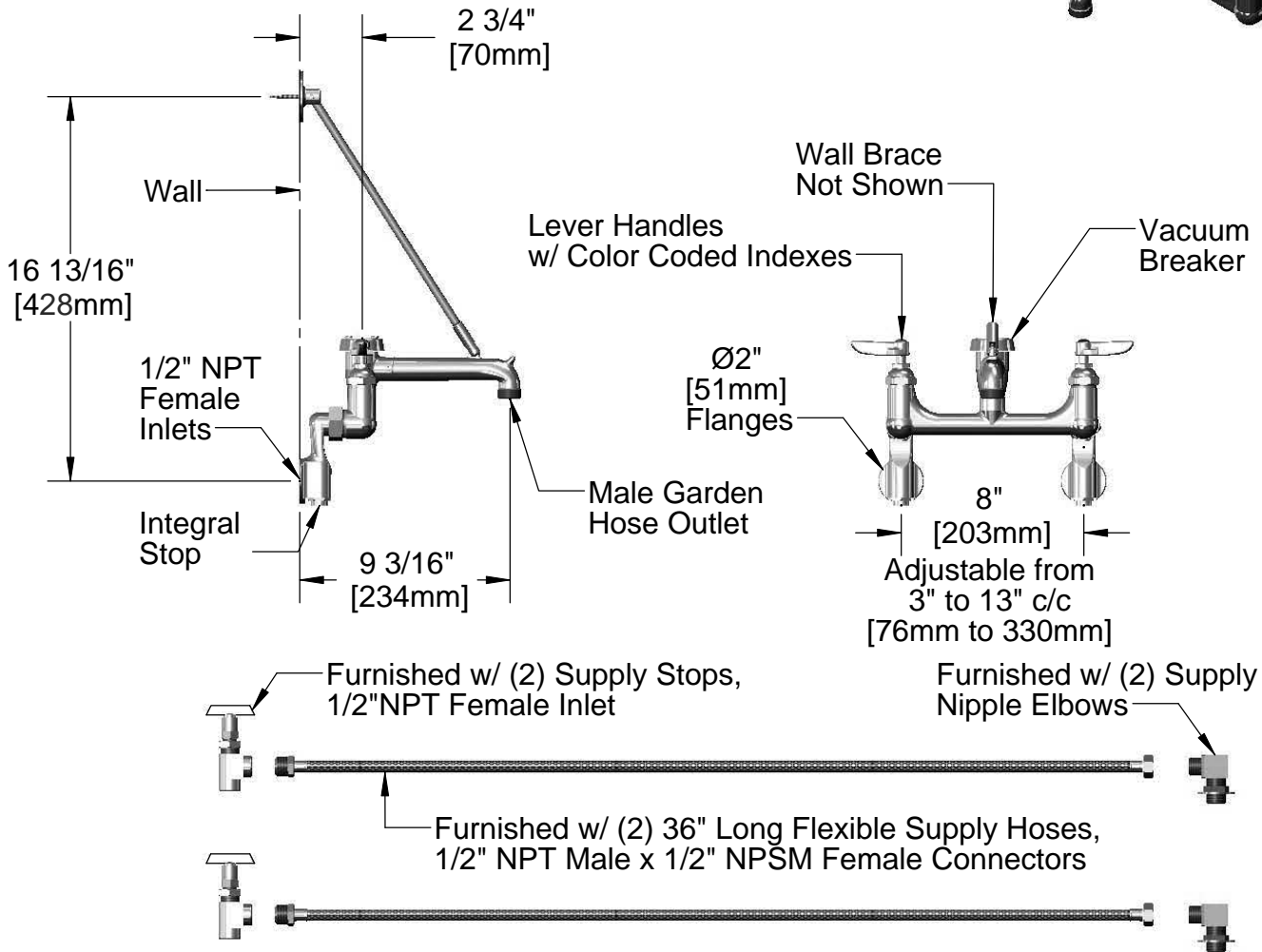
Contractor _____

Architect/Engineer _____

Support Rod Asm. Furnished w/
Wall Bracket and Mounting Screws



ADA Compliant



Product Specifications:

Service Sink Faucet, Polished Chrome Finish, Lever Handles, Integral Stops, Vacuum Breaker, Wall Brace Assembly, 1/2" NPT Inlets & Male Garden Hose Outlet. (Also Furnished w/ (2) 013121-45 36" Long Flexible Supply Hoses, B-0230-K Supply Nipple Elbow Kit & (2) B-0418 Supply Stops)

Drawn DHL	Checked GEF	Approved JHB
Scale: 1:8		Date: 9/11/2009



T&S BRASS AND BRONZE WORKS, INC.

2 Saddleback Cove / P.O. Box 1088
Travelers Rest, SC 29690



REG. #A2601
ISO #9001

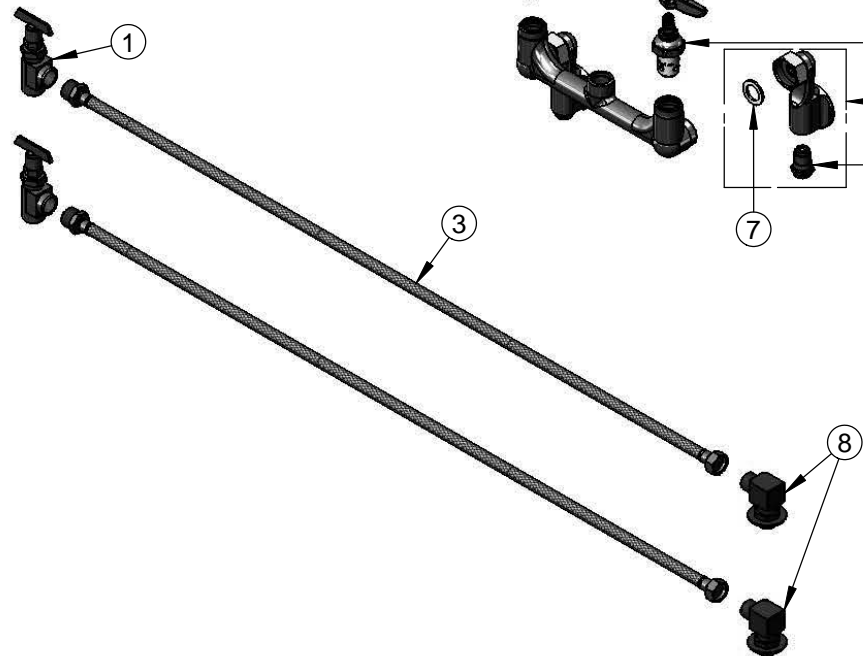
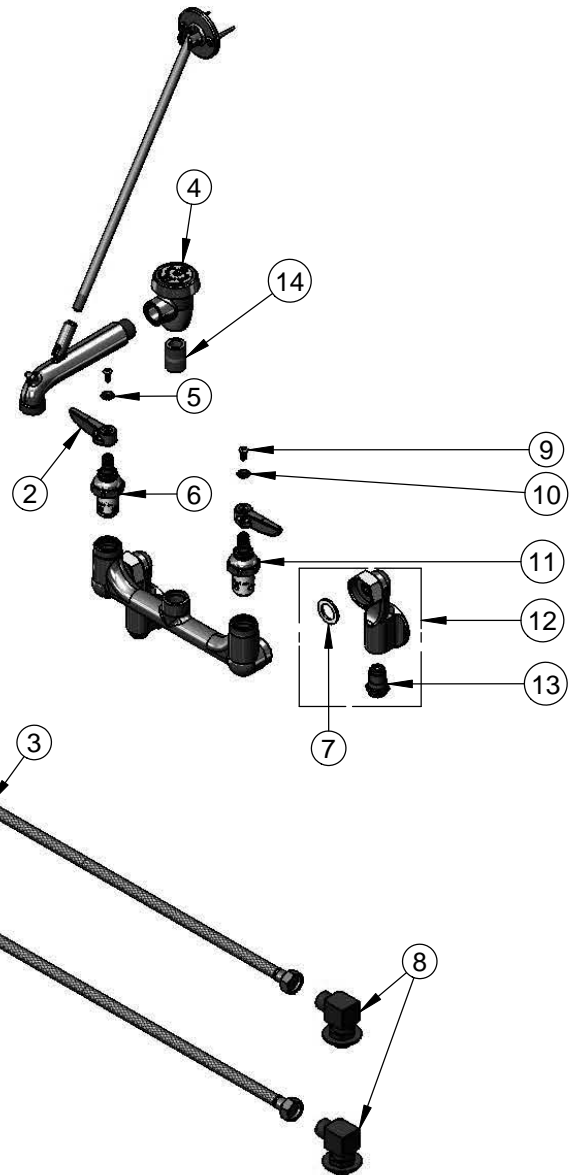
Model No.

B-0689

Item No.

Travelers Rest, SC: 800-476-4103 Simi Valley, CA: 800-423-0150 Fax: 864-834-3518 www.tsbrass.com

ITEM NO.	SALES NO.	DESCRIPTION
1	B-0418	Supply Stop w/ 1/2" NPT Inlet
2	001638-45	Lever Handle
3	013121-45	Flexible Supply Hose, 36" Long w/ 1/2" NPT Male & 1/2" NPSM Female
4	B-0969	Vacuum Breaker, 1/2"
5	001661-45	Red Index-HW
6	012443-40	Hot Eterna Spindle Assembly w/ Spring Check
7	001019-45	Coupling Nut Washer
8	B-0230-K	Elbow Kit, Supply Nipple (2 per kit)
9	000922-45	Lever Handle Screw
10	001660-45	Blue Index-CW
11	012442-40	Cold Eterna Spindle Assembly w/ Spring Check
12	00XX	Flange Inlet, 1/2" NPT Female Adjustable w/ Screwdriver Stop
13	163A	BST Assembly, 163A
14	002534-25	Close Nipple, 1/2" x 1 5/32" Lg Rough Chrome



Product Specifications:

Service Sink Faucet, Polished Chrome Finish, Lever Handles, Integral Stops, Vacuum Breaker, Wall Brace Assembly, 1/2" NPT Inlets & Male Garden Hose Outlet. (Also Furnished w/ (2) 013121-45 36" Long Flexible Supply Hoses, B-0230-K Supply Nipple Elbow Kit & (2) B-0418 Supply Stops)

Drawn DHL	Checked GEF	Approved JHB
Scale: 1:8		Date: 9/11/2009