



T&S BRASS AND BRONZE WORKS, INC.

2 Saddleback Cove / P.O. Box 1088
Travelers Rest, SC 29690



REG. #A2601
ISO #9001

Model No.

B-0693-POL

Item No.

Travelers Rest, SC: 800-476-4103 Simi Valley, CA: 800-423-0150 Fax: 864-834-3518 www.tsbrass.com

This Space for Architect/Engineer Approval

Job Name _____ Date _____

Model Specified _____ Quantity _____

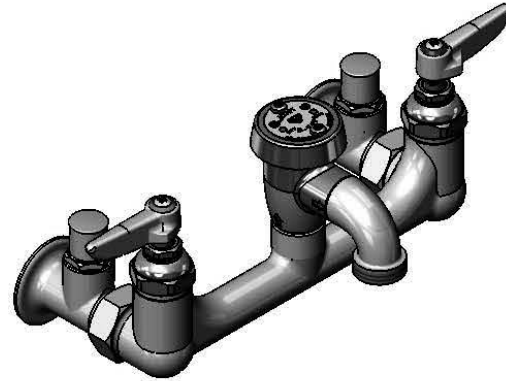
Customer/Wholesaler _____

Contractor _____

Architect/Engineer _____



ADA Compliant

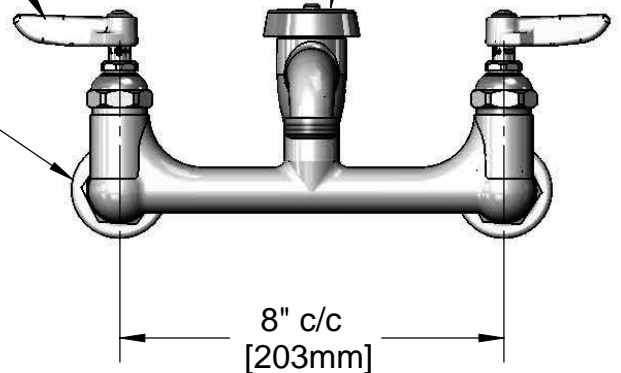
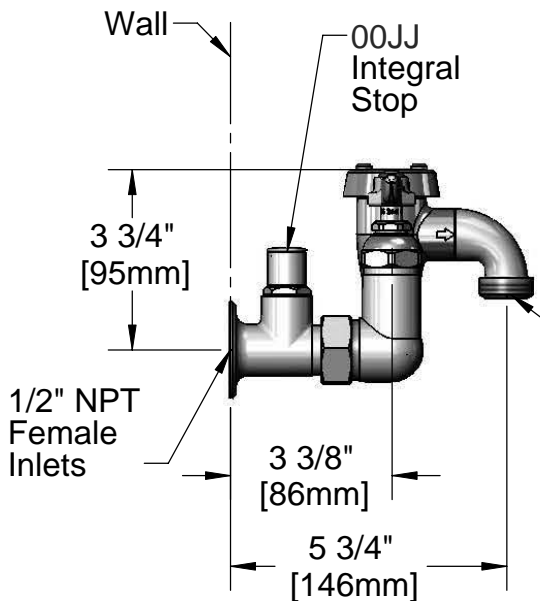


Hot & Cold
Eterna Cartridges
w/ Spring Checks
& Lever Handles
w/ Color Coded
Indexes

B-0969
1/2" Vacuum
Breaker

Ø 2"
[51mm]
Flanges

Male Garden
Hose Outlet



Product Specifications:

**Service Sink Faucet, Polished Chrome Finish, Lever
Handles, 00JJ Integral Stops, Vacuum Breaker,
1/2" NPT Female Inlets & Male Garden Hose Outlet**

Drawn
KJG

Checked
DMH

Approved
JHB

Scale:

1:4

Date:

04/26/10



T&S BRASS AND BRONZE WORKS, INC.

2 Saddleback Cove / P.O. Box 1088
Travelers Rest, SC 29690



REG. #A2601
ISO #9001

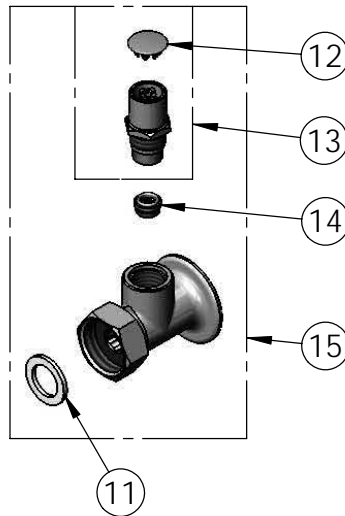
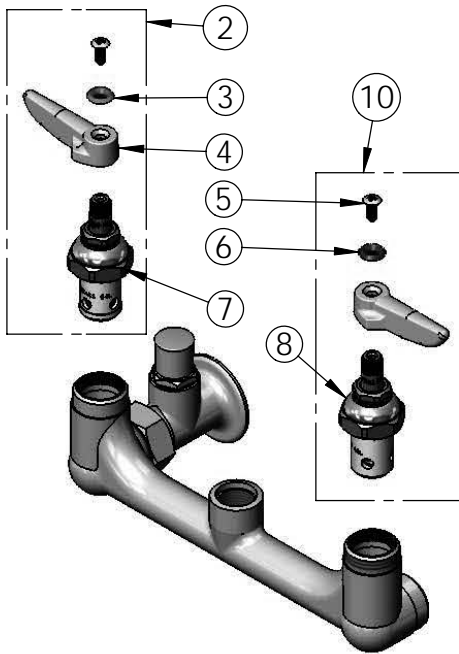
Model No.

B-0693-POL

Item No.

Travelers Rest, SC: 800-476-4103 Simi Valley, CA: 800-423-0150 Fax: 864-834-3518 www.tsbrass.com

ITEM NO.	SALES NO.	DESCRIPTION
1	001618-40	Spout, Short
2	002712-40	Hot Eterna Spindle Assembly w/ Spring Check, Handle, Index & Screw
3	001661-45	Red Index-HW
4	001638-45	Lever Handle
5	000922-45	Lever Handle Screw
6	001660-45	Blue Index-CW
7	012443-40	Hot Eterna Spindle Assembly w/ Spring Check
8	012442-40	Cold Eterna Spindle Assembly w/ Spring Check
9	B-0969	Vacuum Breaker, 1/2"
10	002711-40	Cold Eterna Spindle Assembly w/ Spring Check, Handle, Index & Screw
11	001019-45	Coupling Nut Washer
12	001605-45	Cap
13	002892-40	Spindle Asm w/ Cap
14	000763-20	Seat
15	00JJ	Flange w/ Integral Stop Asm, 1/2" NPT Female Inlet



Product Specifications:

Service Sink Faucet, Polished Chrome Finish, Lever
Handles, 00JJ Integral Stops, Vacuum Breaker,
1/2" NPT Female Inlets & Male Garden Hose Outlet

Drawn KJG	Checked DMH	Approved JHB
Scale: 1:4		Date: 04/26/10