



T&S BRASS AND BRONZE WORKS, INC.

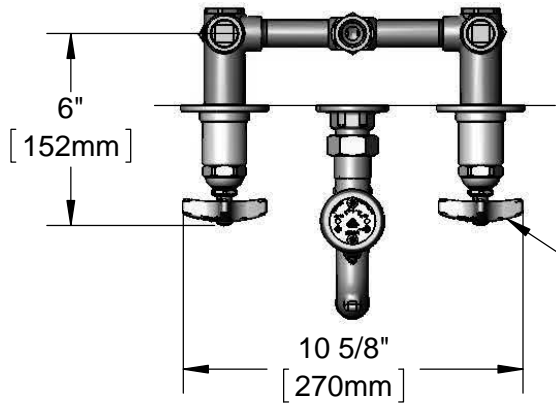
2 Saddleback Cove / P.O. Box 1088
Travelers Rest, SC 29690

Model No.

B-0695-ST

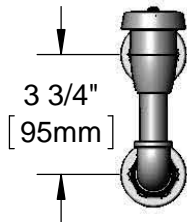
Item No.

Travelers Rest, SC: 800-476-4103 • Simi Valley, CA: 800-423-0150 • Fax: 864-834-3518 • www.tsbrass.com



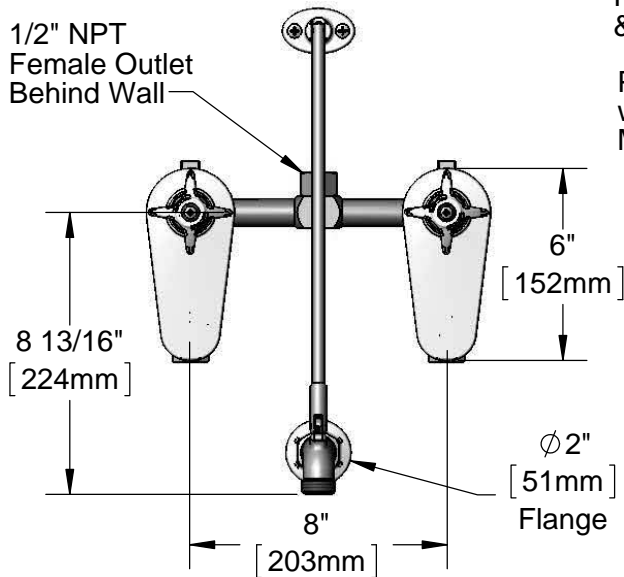
ADA Compliant

Eterna Cartridges &
4-Arm Handles w/
Color Coded Indexes



B-0969
1/2" NPT Vacuum
Breaker

1/2" NPT
Female Outlet
Behind Wall



Upper Wall Support
Rod w/ Wall Bracket
& Mounting Screws

Pail Hook Spout
w/ Garden Hose
Male Outlet

Mounting Surface

Ø 2" [51mm]
Flanges w/
1/2" NPT
Female
Inlet/Outlet

Concealed
Mixing Valve

Loose Key Stops
Behind Flanges

1/2" NPT
Female Inlets

2 1/4"
[57mm]

Minimum

3 1/2"
[89mm]

Maximum

Rough-In Requirement:
(2) Ø 1 1/2" [38mm] Mounting Holes
for Concealed Mixing Valve

Product Specifications:

8" Wall Mount Concealed Mixing Valve, Eterna Cartridges, 4-Arm Handles, Loose Key Stops, Elevated Vacuum Breaker, Spout w/ Garden Hose Male Outlet & Upper Support Rod & 1/2" Female Inlets/Outlets

Product Compliance:

ASME A112.18.1 / CSA B125.1
NSF 61 - Section 9
NSF 372 (Low Lead Content)
ANSI A117.1 (ADA)
ASSE 1001 (VB)



T&S BRASS AND BRONZE WORKS, INC.

2 Saddleback Cove / P.O. Box 1088
Travelers Rest, SC 29690

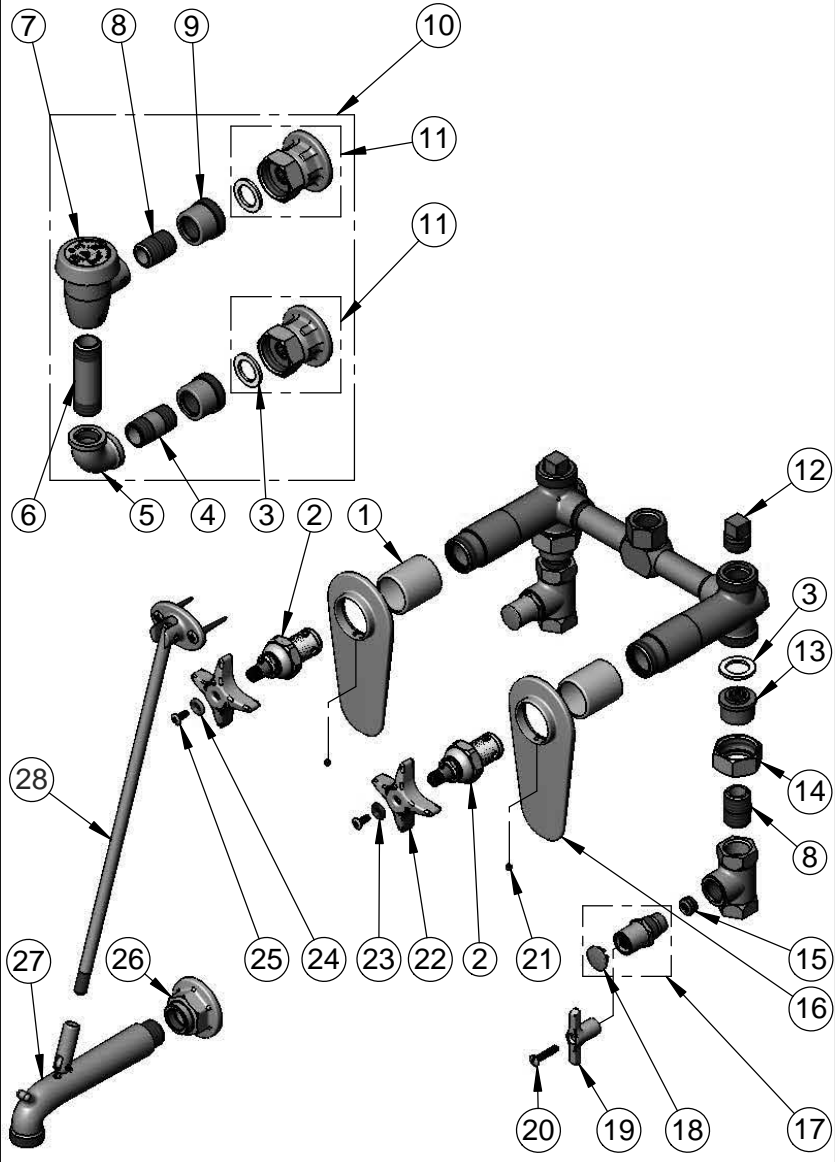
Model No.

B-0695-ST

Item No.

Travelers Rest, SC: 800-476-4103 • Simi Valley, CA: 800-423-0150 • Fax: 864-834-3518 • www.tsbrass.com

ITEM NO.	SALES NO.	DESCRIPTION
2	005960-40	Eterna Cartridge, RTC
3	001019-45	Coupling Nut Washer
4	001509-40	Nipple, 1/2" NPT x 1 1/2"
5	001357-40	1/2" NPT Elbow
6	001510-40	Nipple, 1/2" NPT x 2 5/8"
7	B-0969	1/2" NPT Vacuum Breaker
8	002534-25	Close Nipple, 1/2" NPT
9	000870-40	Union, Male Half
10	B-0929-A	1/2" NPT Atmospheric Vacuum Breaker
11	00AA	1/2" NPT Eccentric Female Flange
12	001347-20	1/2" NPT Plug
13	153F	Union Half, 1/2 NPT w/ Washer
14	000721-25	Flange Coupling Nut
15	000763-20	Seat
16	002820-40	Tear-Drop Escutcheon
17	002892-40	Stop Spindle w/ Cap
18	001605-45	Cap
19	001802-45	Handle, Supply Stop Tee
20	002432-45	Screw, Tee Handle
21	000939-45	Escutcheon, Set Screw
22	002521-45	4-Arm Handle
23	001660-45	Blue Index-CW
24	001661-45	Red Index-HW
25	000922-45	Lever Handle Screw
26	000013-40	Flange, 1/2" NPT Wall Mount
27	009545-40	Spout w/ Male GH Outlet & Upper Clevis - Polished Chrome
28	009546-40	Upper Support Rod



Product Specifications:
8" Wall Mount Concealed Mixing Valve, Eterna Cartridges, 4-Arm Handles, Loose Key Stops, Elevated Vacuum Breaker, Spout w/ Garden Hose Male Outlet & Upper Support Rod & 1/2" Female Inlets/Outlets

Product Compliance:
ASME A112.18.1 / CSA B125.1
NSF 61 - Section 9
NSF 372 (Low Lead Content)
ANSI A117.1 (ADA)
ASSE 1001 (VB)