



T&S BRASS AND BRONZE WORKS, INC.

2 Saddleback Cove / P.O. Box 1088
Travelers Rest, SC 29690



REG. #A2601
ISO #9001

Model No.

B-0700-LT-CR-K

Item No.

Travelers Rest, SC: 800-476-4103 • Simi Valley, CA: 800-423-0150 • Fax: 864-834-3518 • www.tsbrass.com

This Space for Architect/Engineer Approval

Job Name _____ Date _____

Model Specified _____ Quantity _____

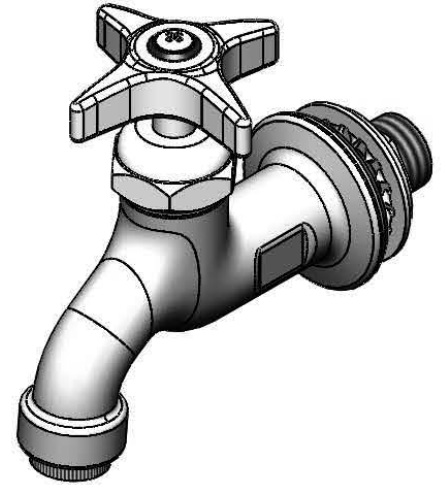
Customer/Wholesaler _____

Contractor _____

Architect/Engineer _____

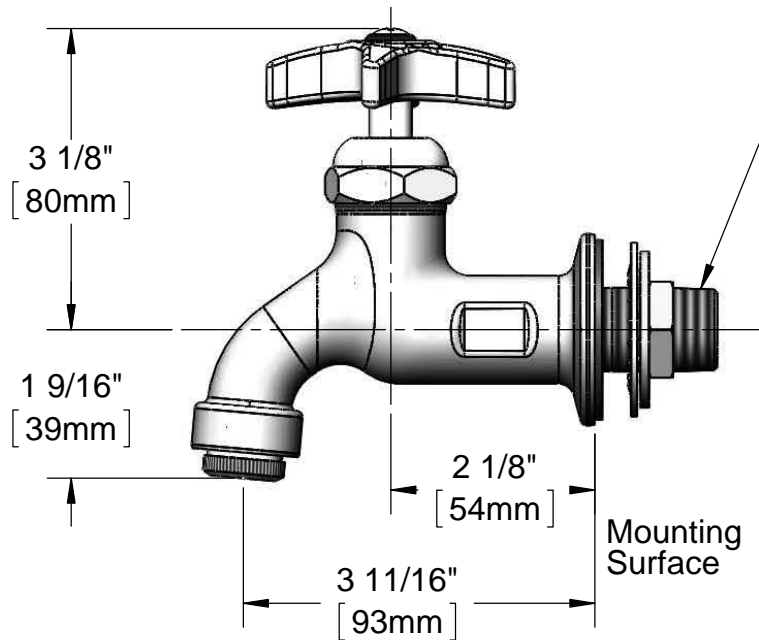
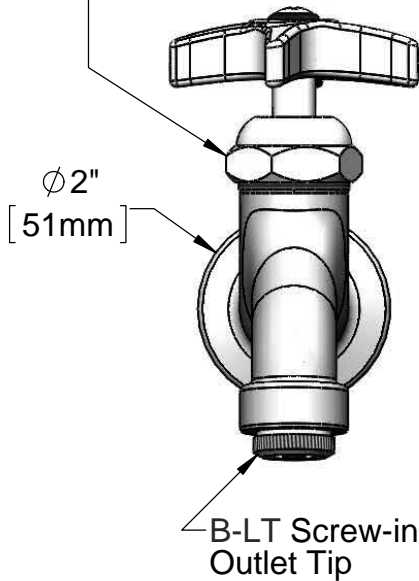


ADA Compliant



Cerama Cartridge
w/ 4-Arm Handle
and Blue Color
Coded Index

Inlet Installation Kit Includes 1/2 NPT Nipple, Rubber Deck Seal, Toothed Lock Washer, Flat Washer and Hex Nut. Faucet Body is 1/2 NPT Female Without Installation Kit.



Rough-in: ϕ 1" [28mm] Hole

Product Specifications:
Single Temp Sill Faucet with 1/2 NPT Male Installation Kit,
Cerama Cartridge, 4-Arm Handle with Blue Index and B-LT
Outlet Tip.

Drawn

GEF

Checked

JRM

Approved

JHB

Scale:

1:2

Date:

07/14/11



T&S BRASS AND BRONZE WORKS, INC.

2 Saddleback Cove / P.O. Box 1088
Travelers Rest, SC 29690



REG. #A2601
ISO #9001

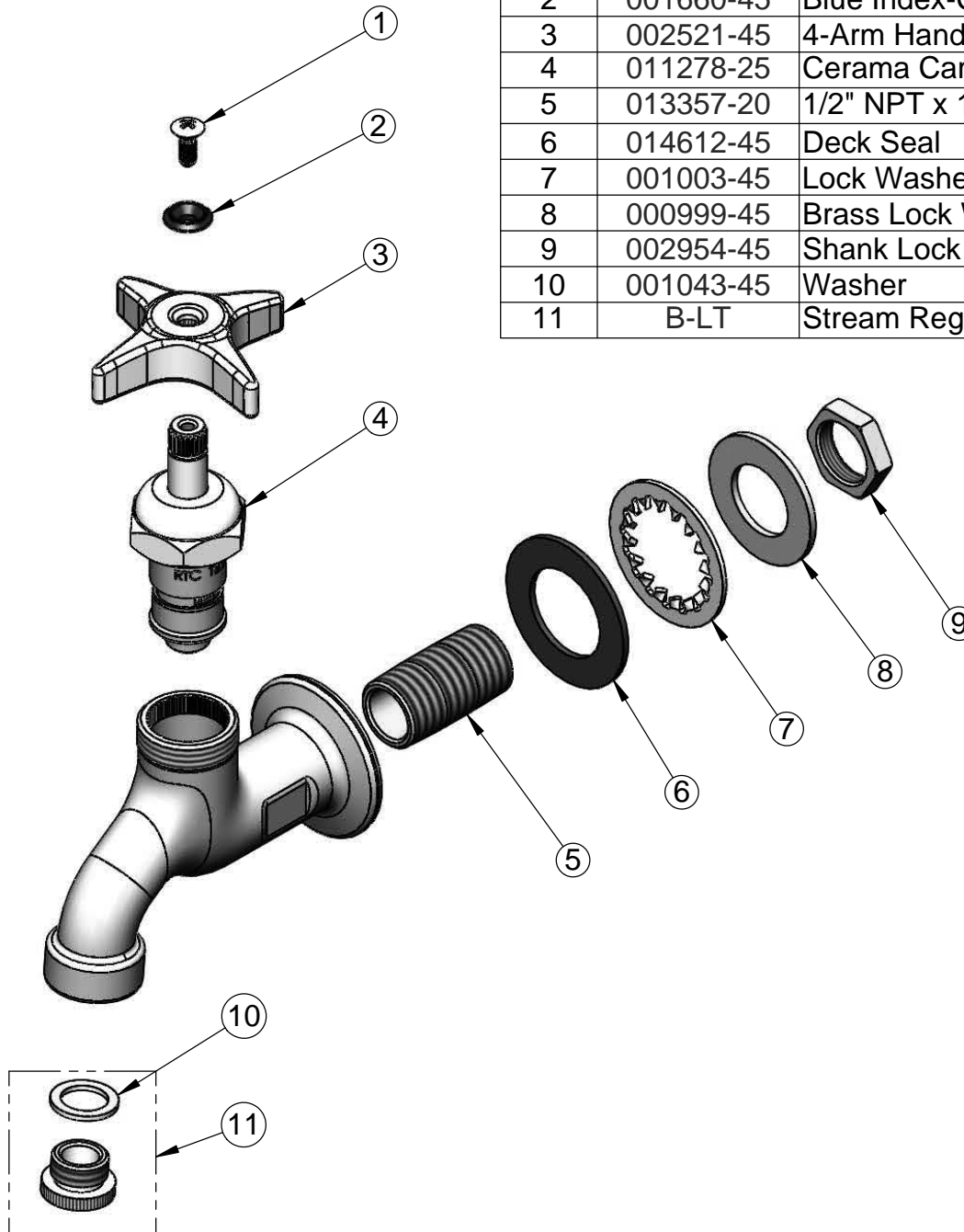
Model No.

B-0700-LT-CR-K

Item No.

Travelers Rest, SC: 800-476-4103 • Simi Valley, CA: 800-423-0150 • Fax: 864-834-3518 • www.tsbrass.com

ITEM NO.	SALES NO.	DESCRIPTION
1	000922-45	Lever Handle Screw
2	001660-45	Blue Index-CW
3	002521-45	4-Arm Handle
4	011278-25	Cerama Cartridge, RTC
5	013357-20	1/2" NPT x 1-5/8" Lg. Close Nipple
6	014612-45	Deck Seal
7	001003-45	Lock Washer, Int. Tooth, 1 5/32" ID
8	000999-45	Brass Lock Washer
9	002954-45	Shank Lock Nut
10	001043-45	Washer
11	B-LT	Stream Regulator Outlet



Product Specifications:

Single Temp Sill Faucet with 1/2 NPT Male Installation Kit, Cerama Cartridge, 4-Arm Handle with Blue Index and B-LT Outlet Tip.

Drawn

GEF

Checked

JRM

Approved

JHB

Scale:

NTS

Date:

07/14/11