



T&S BRASS AND BRONZE WORKS, INC.

2 Saddleback Cove / P.O. Box 1088
Travelers Rest, SC 29690

Model No.

B-0702-WH4

Item No.

Travelers Rest, SC: 800-476-4103 • Simi Valley, CA: 800-423-0150 • Fax: 864-834-3518 • www.tsbrass.com

This Space for Architect/Engineer Approval

Job Name _____ Date _____

Model Specified _____ Quantity _____

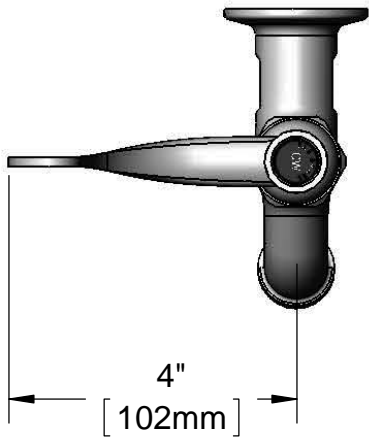
Customer/Wholesaler _____

Contractor _____

Architect/Engineer _____



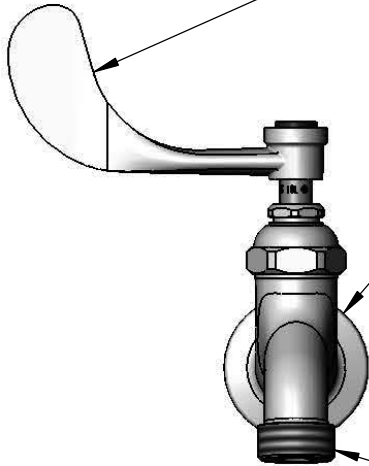
ADA Compliant



4"

[102mm]

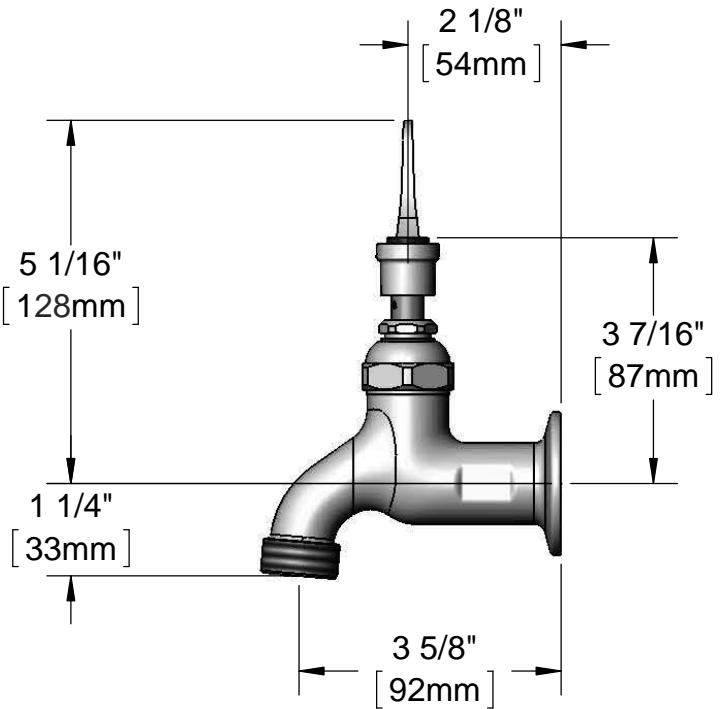
Eterna Cartridge &
4" Wrist Action
Handle w/ Color
Coded Index (CW)



Ø2"
[51mm]

Flange w/
1/2" NPT
Female Inlet

3/4" Garden
Hose Outlet



2 1/8"

[54mm]

5 1/16"
[128mm]

3 7/16"
[87mm]

1 1/4"
[33mm]

3 5/8"

[92mm]

Product Specifications:

Single Sink Faucet w/ Eterna cartridge, 4" Wrist Action Handle, 3/4" Hose Outlet, 1/2" NPT Female Inlet & "CW" Snap-In Index

Drawn

KJG

Checked

DHL

Approved

JHB

Scale:

3:8

Date:

04/27/12



T&S BRASS AND BRONZE WORKS, INC.

2 Saddleback Cove / P.O. Box 1088

Travelers Rest, SC 29690

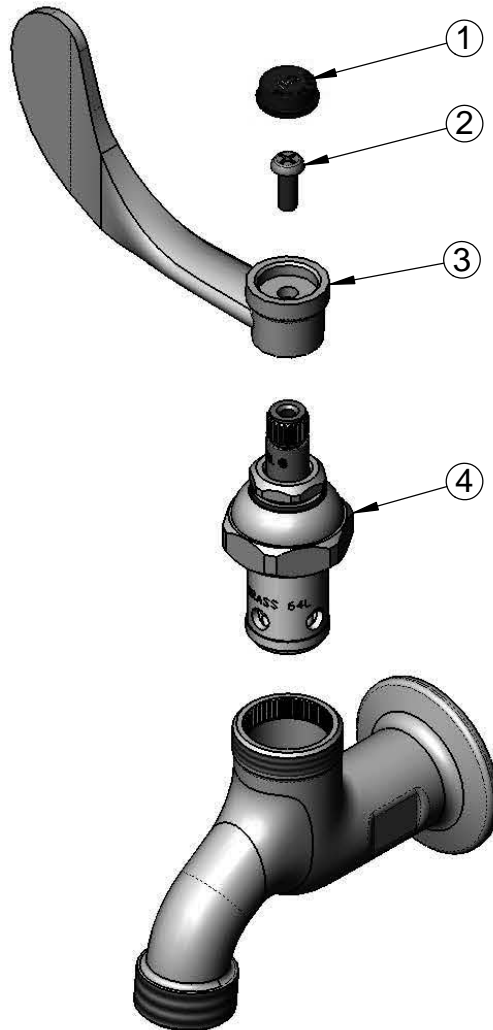
Model No.

B-0702-WH4

Item No.

Travelers Rest, SC: 800-476-4103 • Simi Valley, CA: 800-423-0150 • Fax: 864-834-3518 • www.tsbrass.com

ITEM NO.	SALES NO.	DESCRIPTION
1	001686-45	Blue CW Index
2	000925-45	Lab Handle Screw
3	B-WH4	4" Wrist Action Handle
4	006010-40	Eterna Cartridge, RTC (Teflon)



Product Specifications:

Single Sink Faucet w/ Eterna cartridge, 4" Wrist Action Handle, 3/4" Hose Outlet, 1/2" NPT Female Inlet & "CW" Snap-In Index

Drawn

KJG

Checked

DHL

Approved

JHB

Scale:

NTS

Date:

04/27/12