



T&S BRASS AND BRONZE WORKS, INC.
 2 Saddleback Cove / P.O. Box 1088
 Travelers Rest, SC 29690

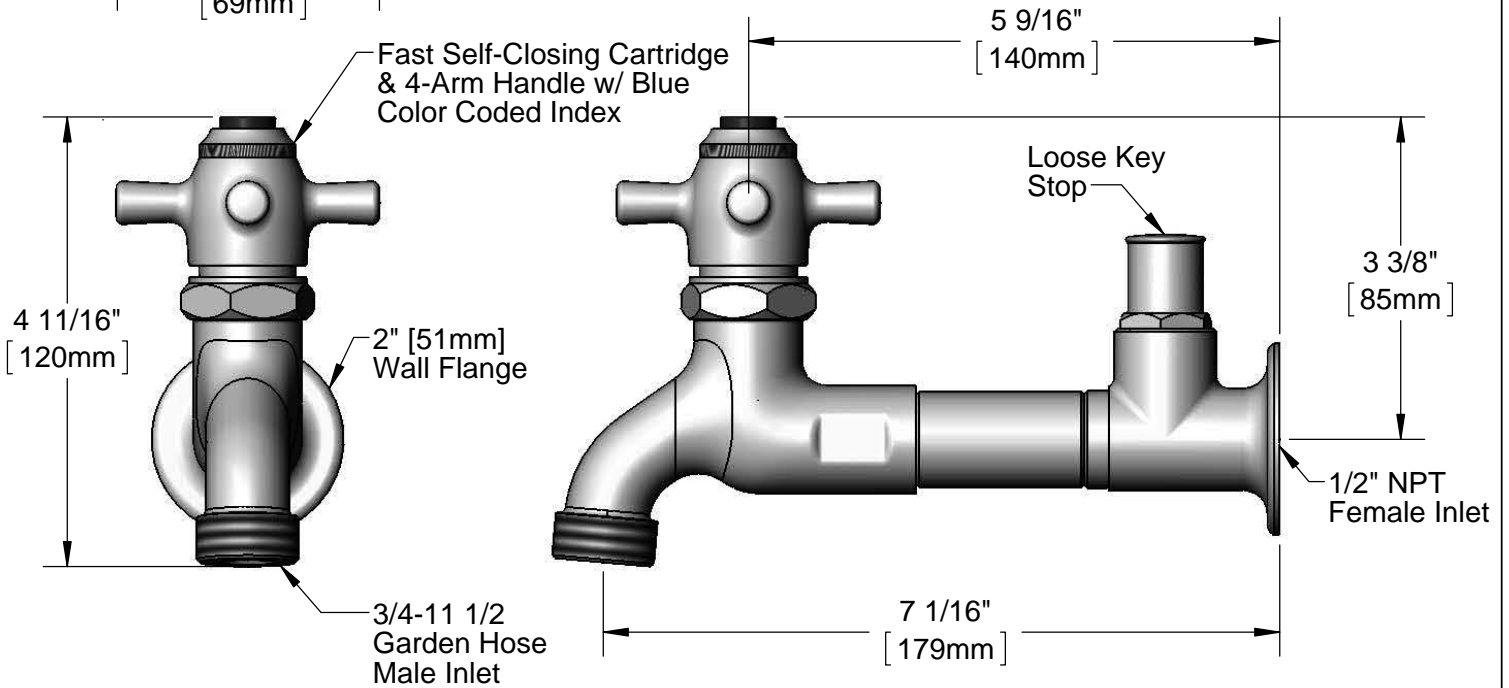
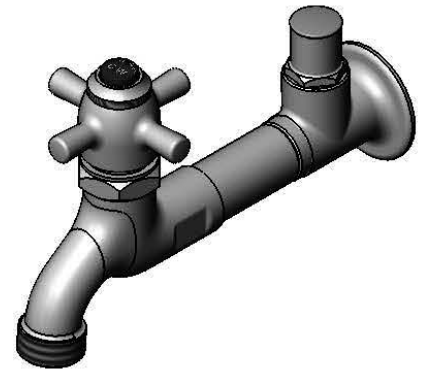
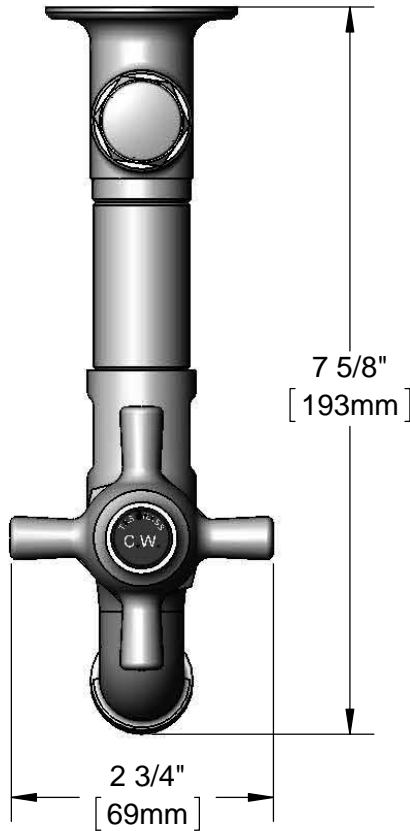
Model No.
B-0709-JJ

Item No.

Travelers Rest, SC: 800-476-4103 • Simi Valley, CA: 800-423-0150 • Fax: 864-834-3518 • www.tsbrass.com

This Space for Architect/Engineer Approval

Job Name _____ Date _____
 Model Specified _____ Quantity _____
 Customer/Wholesaler _____
 Contractor _____
 Architect/Engineer _____



Product Specifications:
 Fast Self-Closing Hose Bibb Faucet, 4-Arm Handle w/ Blue Color Coded Index,
 Garden Hose Male Outlet, 1/2" NPT Female Inlet w/ Extension

Product Compliance:
 ASME A112.18.1 / CSA B125.1
 NSF 61 - Section 9
 NSF 372 (Low Lead Content)



T&S BRASS AND BRONZE WORKS, INC.

2 Saddleback Cove / P.O. Box 1088
Travelers Rest, SC 29690

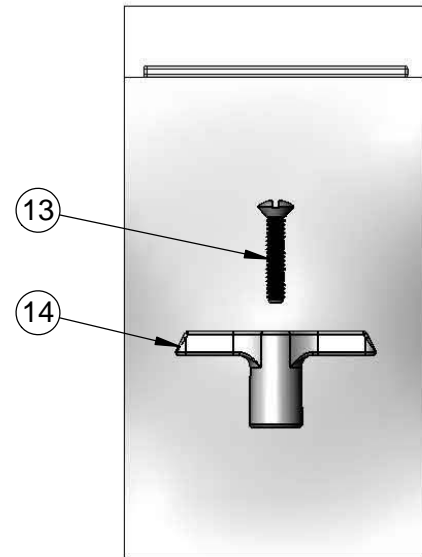
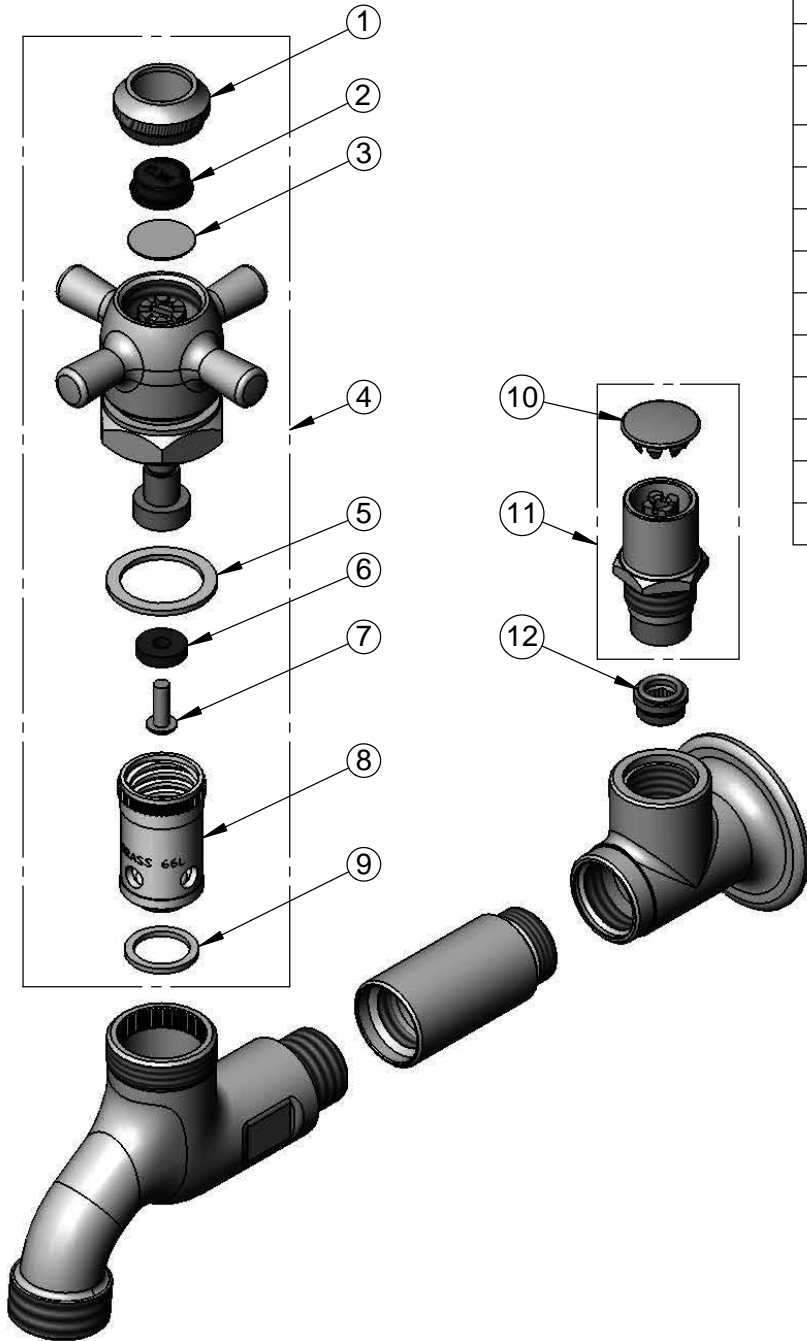
Model No.

B-0709-JJ

Item No.

Travelers Rest, SC: 800-476-4103 • Simi Valley, CA: 800-423-0150 • Fax: 864-834-3518 • www.tsbrass.com

| ITEM NO. | SALES NO. | DESCRIPTION |
|----------|-----------|----------------------------------|
| 1 | 000674-40 | Self Close Index Ring |
| 2 | 001686-45 | Blue CW Index |
| 3 | 001013-45 | Self Close Handle Disc |
| 4 | 007900-40 | Fast Self-Closing Cold Cartridge |
| 5 | 002601-45 | Washer |
| 6 | 001092-45 | Seat Washer |
| 7 | 000933-45 | B-1100 Seat Washer Screw |
| 8 | 000789-20 | Removable Insert, LH Thread |
| 9 | 001022-45 | Washer |
| 10 | 001605-45 | Cap |
| 11 | 002892-40 | Spindle w/ Cap |
| 12 | 000763-20 | Seat |
| 13 | 002432-45 | Loose Key Handle Screw |
| 14 | 001802-45 | Supply Stop Tee Handle |



Product Specifications:

Fast Self-Closing Hose Bibb Faucet, 4-Arm Handle w/ Blue Color Coded Index, Garden Hose Male Outlet, 1/2" NPT Female Inlet w/ Extension

Product Compliance:

ASME A112.18.1 / CSA B125.1
NSF 61 - Section 9
NSF 372 (Low Lead Content)