



T&S BRASS AND BRONZE WORKS, INC.

2 Saddleback Cove / P.O. Box 1088
Travelers Rest, SC 29690

Model No.

B-0710-HW

Item No.

Travelers Rest, SC: 800-476-4103 • Simi Valley, CA: 800-423-0150 • Fax: 864-834-3518 • www.tsbrass.com



ADA Compliant

This Space for Architect/Engineer Approval

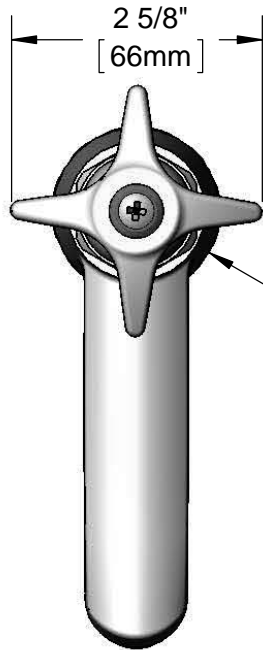
Job Name _____ Date _____

Model Specified _____ Quantity _____

Customer/Wholesaler _____

Contractor _____

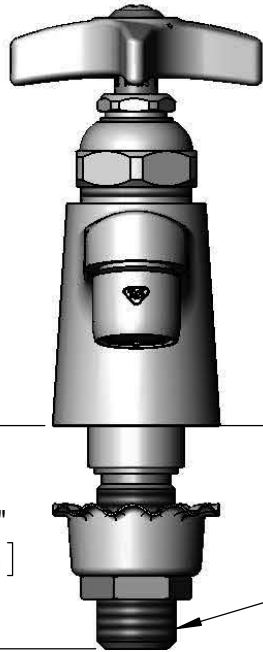
Architect/Engineer _____



Ø 1 3/4"
[44mm]
Base



Eterna Cartridge &
4-Arm Handle w/
Red (Hot) Index



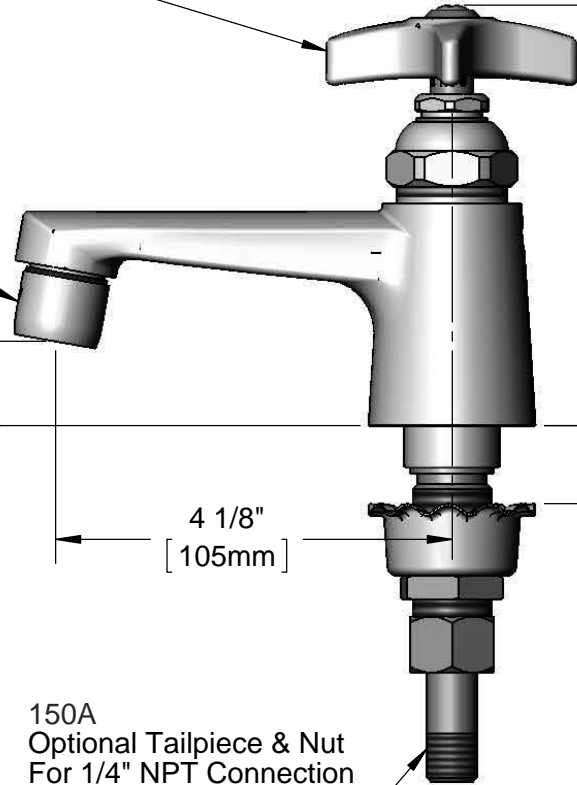
B-0199-02
2.2 GPM
Aerator

2 5/16"
[59mm]

Mounting
Surface

7/8"
[22mm]

1/2" NPSM
Male Inlet



4 3/8"
[111mm]

4 1/8"
[105mm]

13/16"
[21mm]
Maximum
Thickness

150A
Optional Tailpiece & Nut
For 1/4" NPT Connection
(Included)

Rough-In Requirement:
Ø 1 1/8" [29mm] Mounting Hole

Product Specifications:

Single Hole Single Temperature Deck Mount Basin Faucet, Eterna Cartridge, 4-Arm Kitchen Handle, Hot Index, 2.2 GPM Aerator & 1/2" NPSM Male Inlet

Product Compliance:

ASME A112.18.1 / CSA B125.1
NSF 61 - Section 9
NSF 372 (Low Lead Content)
ANSI A117.1 (ADA)

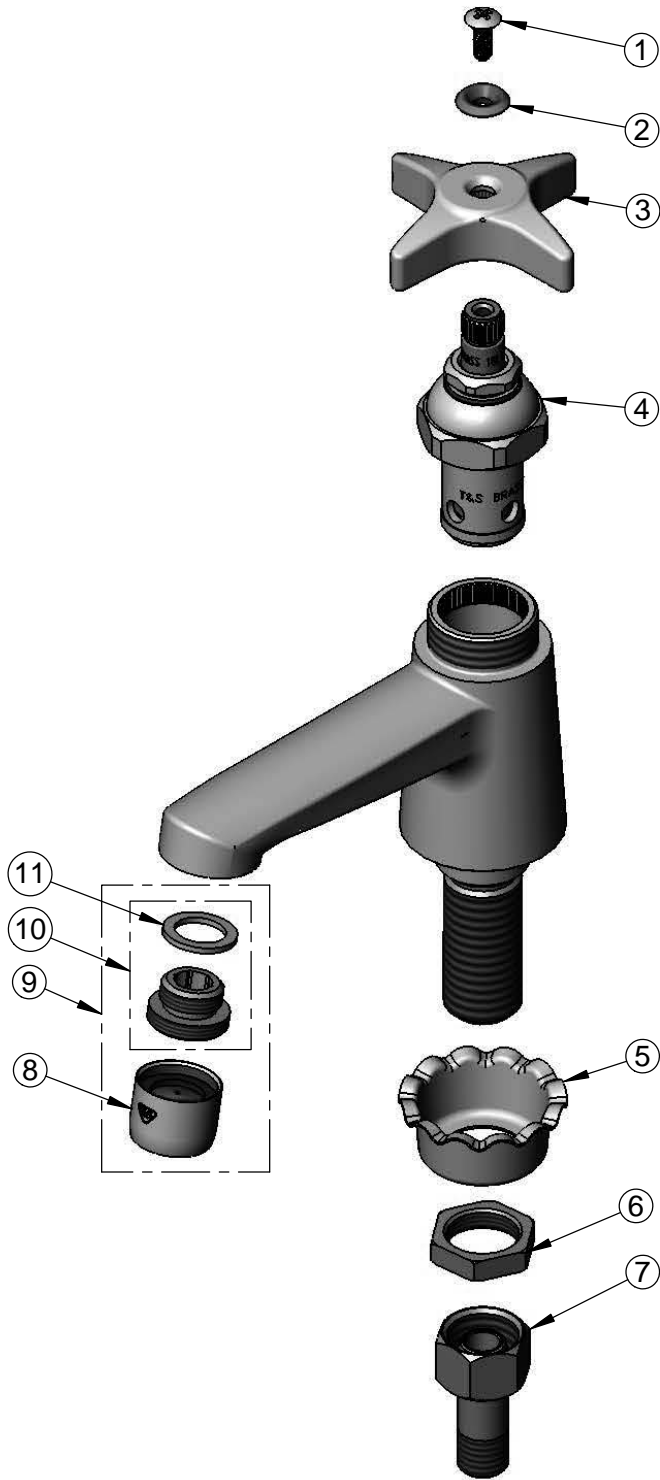


T&S BRASS AND BRONZE WORKS, INC.
 2 Saddleback Cove / P.O. Box 1088
 Travelers Rest, SC 29690

Model No.
B-0710-HW
 Item No.

Travelers Rest, SC: 800-476-4103 • Simi Valley, CA: 800-423-0150 • Fax: 864-834-3518 • www.tsbrass.com

ITEM NO.	SALES NO.	DESCRIPTION
1	000922-45	Lever Handle Screw
2	001661-45	Red Index-HW
3	002521-45	4-Arm Handle
4	005960-40	Eterna Cartridge, RTC
5	001000-45	Rosette Washer
6	002954-45	Shank Lock Nut
7	150A	1/4" NPT Tailpiece & Nut
8	B-0199-01	2.2 GPM Aerator, 55/64"-27 UN Female
9	B-0199-02	2.2 GPM Aerator, 3/8" NPSM Male
10	044A	3/8" to Aerator Adapter w/ Washer
11	001043-45	Washer



Product Specifications:

Single Hole Single Temperature Deck Mount Basin Faucet, Eterna Cartridge, 4-Arm Kitchen Handle, Hot Index, 2.2 GPM Aerator & 1/2" NPSM Male Inlet

Product Compliance:

ASME A112.18.1 / CSA B125.1
 NSF 61 - Section 9
 NSF 372 (Low Lead Content)
 ANSI A117.1 (ADA)