



# T&S BRASS AND BRONZE WORKS, INC.

2 Saddleback Cove / P.O. Box 1088  
Travelers Rest, SC 29690

Model No.

**B-0711**

Item No.

Travelers Rest, SC: 800-476-4103 • Simi Valley, CA: 800-423-0150 • Fax: 864-834-3518 • www.tsbrass.com

This Space for Architect/Engineer Approval

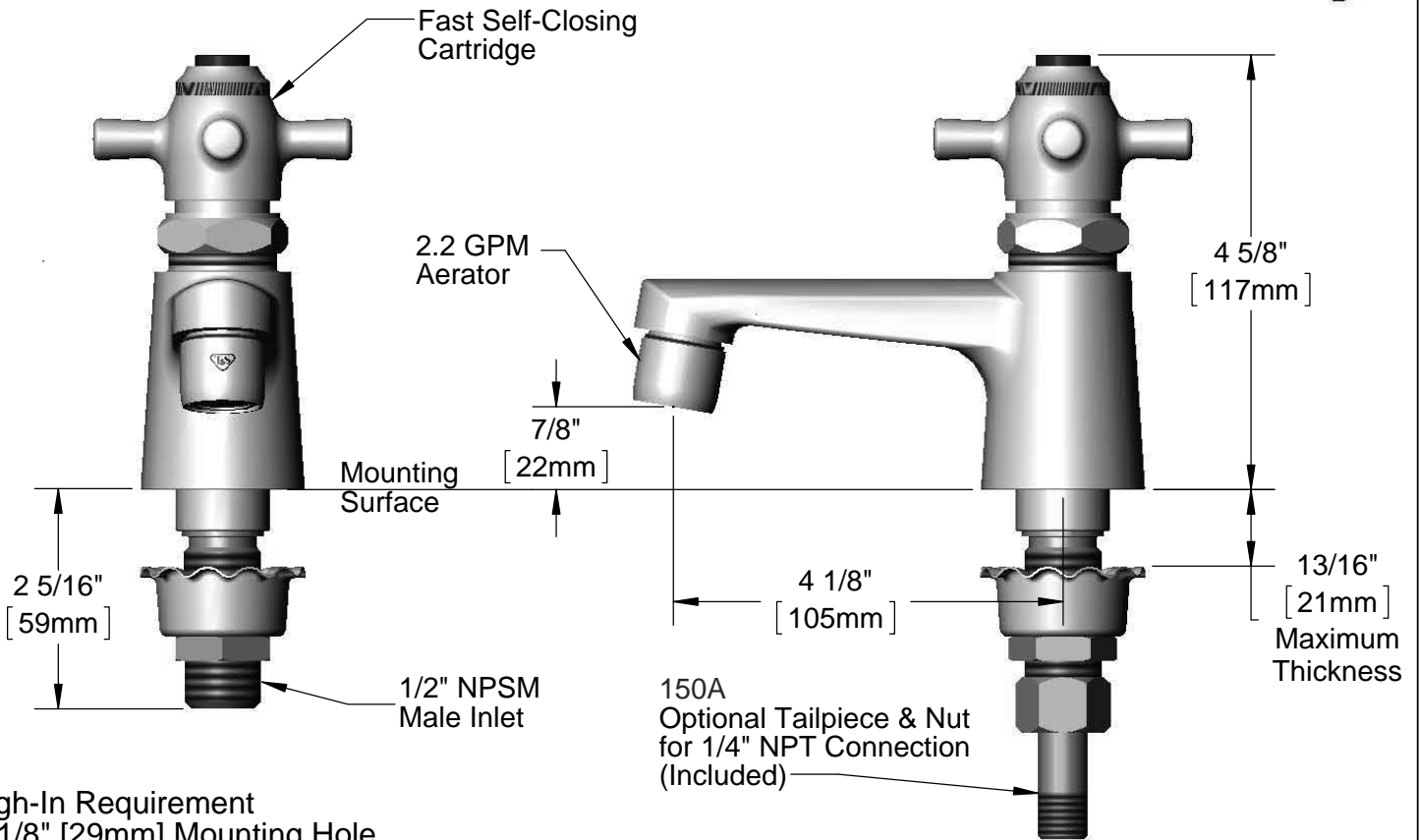
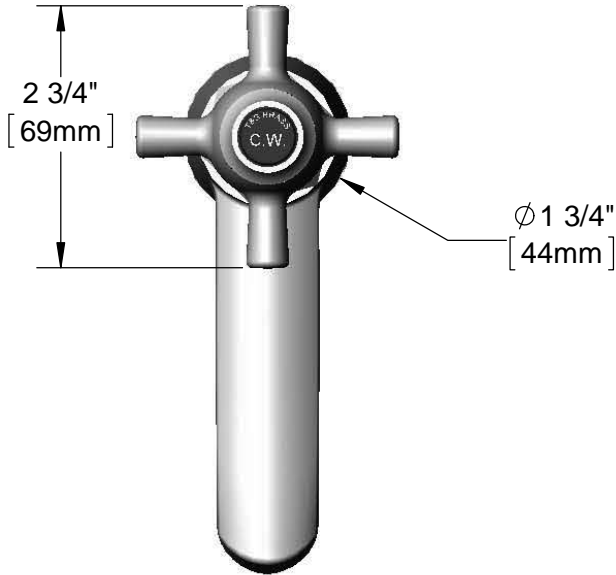
Job Name \_\_\_\_\_ Date \_\_\_\_\_

Model Specified \_\_\_\_\_ Quantity \_\_\_\_\_

Customer/Wholesaler \_\_\_\_\_

Contractor \_\_\_\_\_

Architect/Engineer \_\_\_\_\_



**Rough-In Requirement**  
Ø 1 1/8" [29mm] Mounting Hole

**Product Specifications:**

Single Hole Single Temperature Basin Faucet, Fast Self-Closing Cartridge, 2.2 GPM Aerator & 1/2" NPSM Male Inlet

**Product Compliance:**

ASME A112.18.1 / CSA B125.1  
NSF 61 - Section 9  
NSF 372 (Low Lead Content)

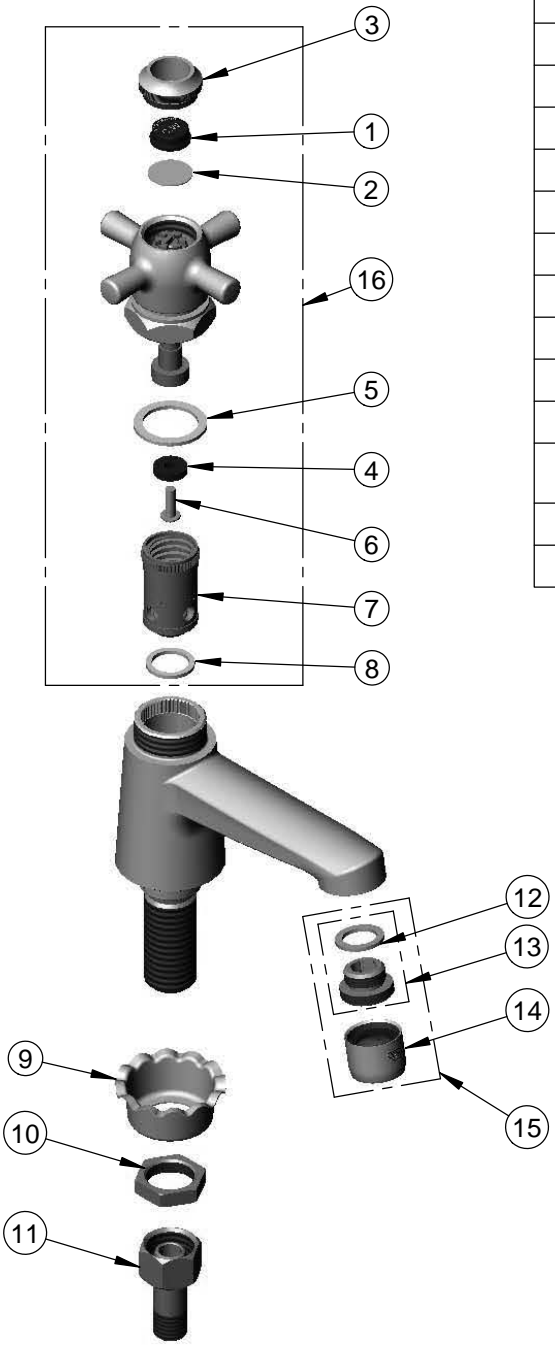


**T&S BRASS AND BRONZE WORKS, INC.**  
 2 Saddleback Cove / P.O. Box 1088  
 Travelers Rest, SC 29690

Model No.  
**B-0711**

Item No.

Travelers Rest, SC: 800-476-4103 • Simi Valley, CA: 800-423-0150 • Fax: 864-834-3518 • www.tsbrass.com



ITEM NO.	SALES NO.	DESCRIPTION
1	001686-45	Blue CW Index
2	001013-45	Slow Close Handle Disc
3	000674-40	Slow Close Index Ring
4	001092-45	Seat Washer
5	002601-45	Washer
6	000933-45	B-1100 Seat Washer Screw
7	000789-20	Removable Insert, LH Thread
8	001022-45	Washer
9	001000-45	Rosette Washer
10	002954-45	Shank Lock Nut
11	150A	1/4" NPT Tailpiece & Nut
12	001043-45	Washer
13	044A	3/8" to Aerator Adapter w/ Washer
14	B-0199-01	2.2 GPM Aerator, 55/64"-27 UN Female
15	B-0199-02	2.2 GPM Aerator, 3/8" NPSM Male
16	007900-40	Fast Self-Closing Cold Cartridge

Product Specifications:  
 Single Hole Single Temperature Basin Faucet, Fast Self-Closing Cartridge, 2.2 GPM Aerator & 1/2" NPSM Male Inlet

Product Compliance:  
 ASME A112.18.1 / CSA B125.1  
 NSF 61 - Section 9  
 NSF 372 (Low Lead Content)