



T&S BRASS AND BRONZE WORKS, INC.

2 Saddleback Cove / P.O. Box 1088
Travelers Rest, SC 29690

Model No.

B-0712-01VRS

Item No.

Travelers Rest, SC: 800-476-4103 • Simi Valley, CA: 800-423-0150 • Fax: 864-834-3518 • www.tsbrass.com



ADA Compliant

This Space for Architect/Engineer Approval

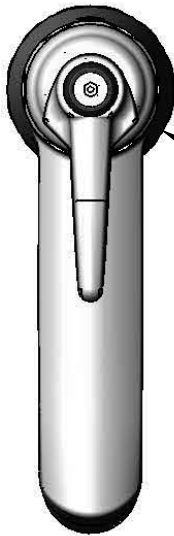
Job Name _____ Date _____

Model Specified _____ Quantity _____

Customer/Wholesaler _____

Contractor _____

Architect/Engineer _____



Ø 1 3/4"
[44mm]
Base

Wrist Action Metering
Cartridge & Lever Handle
w/ Blue (CW) Index &
VR Screw



B-0199-07
2.2 GPM
VR Aerator

5 1/16"
[128mm]

7/8"
[22mm]

Mounting
Surface

2 5/16"
[59mm]

4 1/8"
[105mm]

13/16"
[21mm]
Maximum
Thickness

1/2" NPSM
Male Inlet

150A
Optional Tailpiece & Nut
For 1/4" NPT Connection
(Included)

Rough-In Requirement:
Ø 1 1/8" [29mm] Mounting Hole

Product Specifications:

Single Hole Single Temperature Deck Mount Basin Faucet, Wrist Action Metering Cartridge, Lever Handle, VR Screw, 2.2 GPM VR Aerator & 1/2" NPSM Male Inlet

Product Compliance:

ASME A112.18.1 / CSA B125.1
NSF 61 - Section 9
NSF 372 (Low Lead Content)
ANSI A117.1 (ADA)



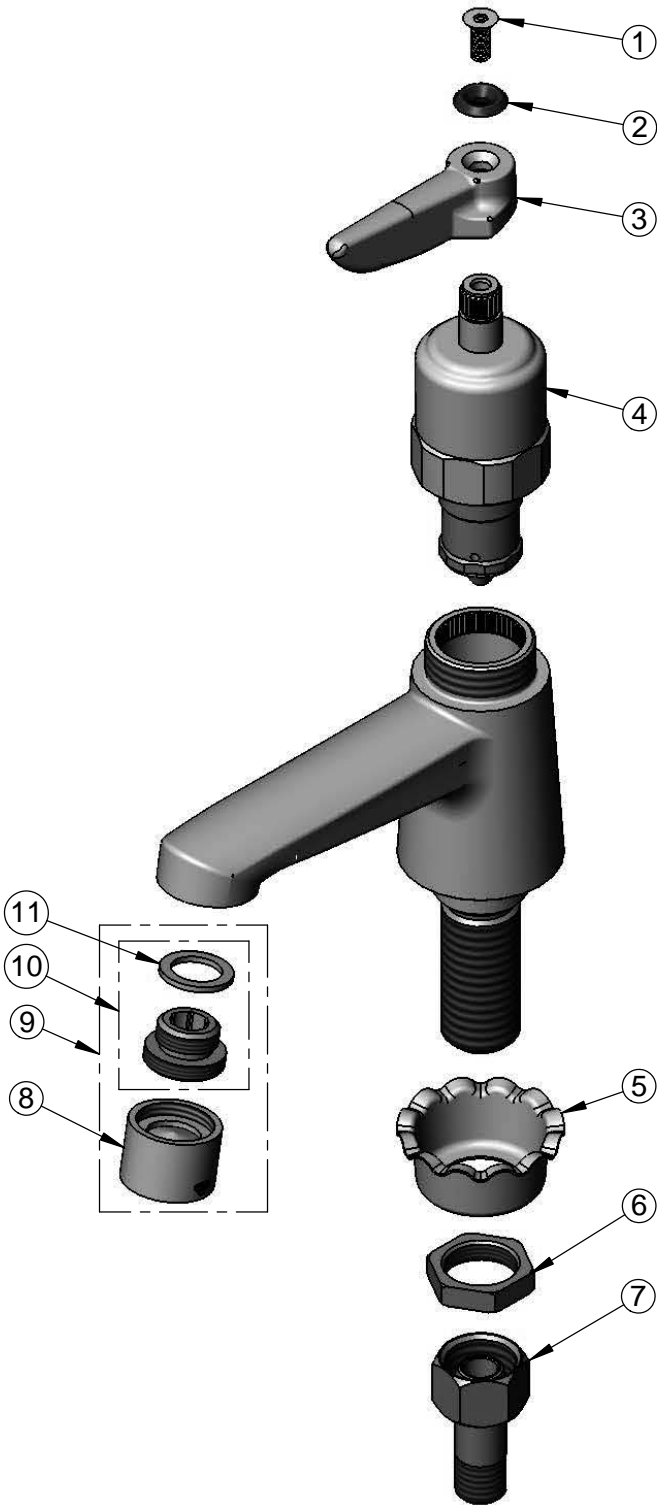
T&S BRASS AND BRONZE WORKS, INC.
 2 Saddleback Cove / P.O. Box 1088
 Travelers Rest, SC 29690

Model No.
B-0712-01VRS

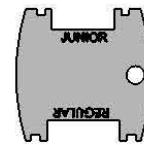
Item No.

Travelers Rest, SC: 800-476-4103 • Simi Valley, CA: 800-423-0150 • Fax: 864-834-3518 • www.tsbrass.com

ITEM NO.	SALES NO.	DESCRIPTION
1	B-VRS	Pin-In-Socket Screw w/ Hex Key
2	001660-45	Blue Index-CW
3	001638-45	Lever Handle
4	012449-40	Wrist Action Metering Cartridge
5	001000-45	Rosette Washer
6	002954-45	Shank Lock Nut
7	150A	1/4" NPT Tailpiece & Nut
8	B-0199-06	VR 2.2 GPM Aerator, 55/64-27 UN Female w/ Key
9	B-0199-07	VR 2.2 GPM Aerator, 3/8" NPSM Male w/ Key
10	044A	3/8" to Aerator Adapter w/ Washer
11	001043-45	Washer



010587-45
Pin-In-Socket Hex Key



015425-45
Vandal Resistant Key

Product Specifications:

Single Hole Single Temperature Deck Mount Basin Faucet, Wrist Action Metering Cartridge, Lever Handle, VR Screw, 2.2 GPM VR Aerator & 1/2" NPSM Male Inlet

Product Compliance:

ASME A112.18.1 / CSA B125.1
 NSF 61 - Section 9
 NSF 372 (Low Lead Content)
 ANSI A117.1 (ADA)