



T&S BRASS AND BRONZE WORKS, INC.
 2 Saddleback Cove / P.O. Box 1088
 Travelers Rest, SC 29690

Model No.
B-0712-01

Item No.

Travelers Rest, SC: 800-476-4103 • Simi Valley, CA: 800-423-0150 • Fax: 864-834-3518 • www.tsbrass.com



ADA Compliant

This Space for Architect/Engineer Approval

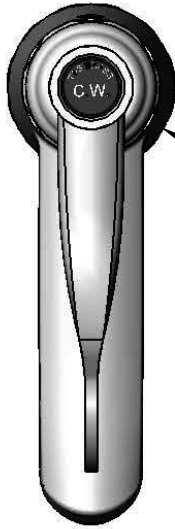
Job Name _____ Date _____

Model Specified _____ Quantity _____

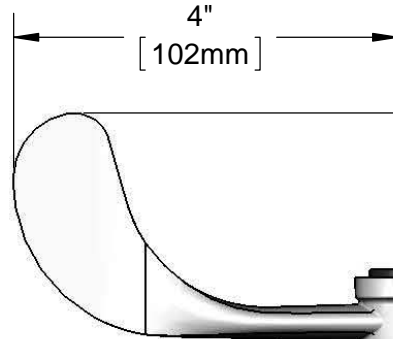
Customer/Wholesaler _____

Contractor _____

Architect/Engineer _____



Ø 1 3/4"
 [44mm]
 Base



4"
 [102mm]



Wrist Action Metering Cartridge
 & 4" Wrist Action Handle w/ Blue
 (CW) Index

B-0199-02
 2.2 GPM
 Aerator

7/8"
 [22mm]

Mounting
 Surface

2 5/16"
 [59mm]

1/2" NPSM
 Male Inlet

4 1/8"
 [105mm]

150A
 Optional Tailpiece & Nut
 For 1/4" NPT Connection
 (Included)

6 13/16"
 [173mm]

5 3/16"
 [131mm]

13/16"
 [21mm]
 Maximum
 Thickness

Rough-In Requirement:
 Ø 1 1/8" [29mm] Mounting Hole

Product Specifications:

Single Hole Single Temperature Deck Mount Basin Faucet, Wrist
 Action Metering Cartridge, 4" Wrist Action Handle, 2.2 GPM Aerator
 & 1/2" NPSM Male Inlet

Product Compliance:

ASME A112.18.1 / CSA B125.1
 NSF 61 - Section 9
 NSF 372 (Low Lead Content)
 ANSI A117.1 (ADA)

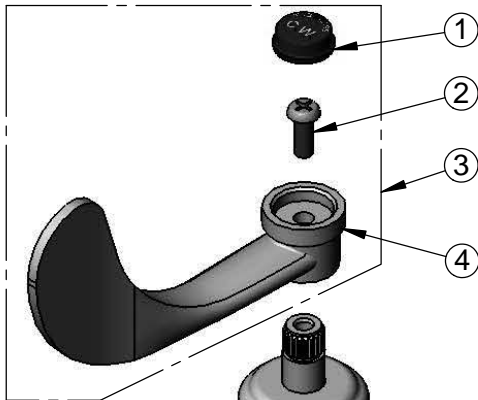


T&S BRASS AND BRONZE WORKS, INC.
 2 Saddleback Cove / P.O. Box 1088
 Travelers Rest, SC 29690

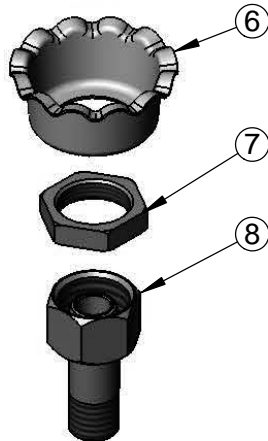
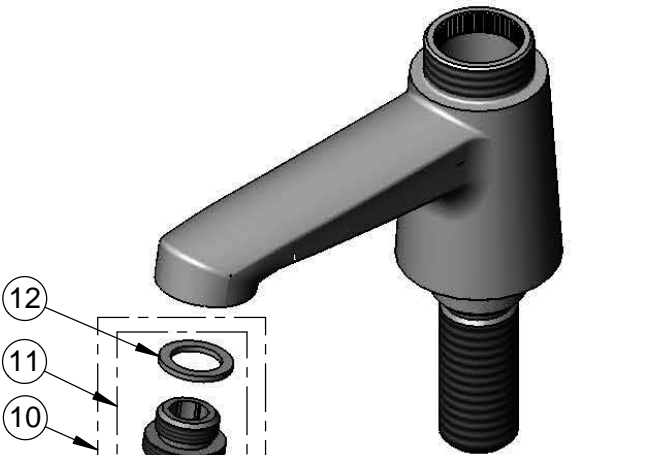
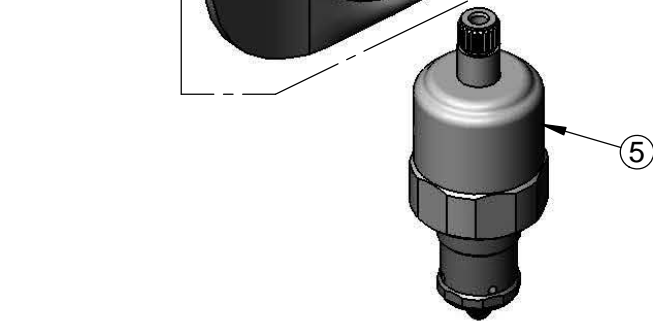
Model No.
B-0712-01

Item No.

Travelers Rest, SC: 800-476-4103 • Simi Valley, CA: 800-423-0150 • Fax: 864-834-3518 • www.tsbrass.com



ITEM NO.	SALES NO.	DESCRIPTION
1	001686-45	Blue CW Index
2	000925-45	Lab Handle Screw
3	B-WH4C	4" Wrist Action Handle, Screw & Cold Index
4	B-WH4	4" Wrist Action Handle
5	012449-40	Wrist Action Metering Cartridge
6	001000-45	Rosette Washer
7	002954-45	Shank Lock Nut
8	150A	1/4" NPT Tailpiece & Nut
9	B-0199-01	2.2 GPM Aerator, 55/64"-27 UN Female
10	B-0199-02	2.2 GPM Aerator, 3/8" NPSM Male
11	044A	3/8" to Aerator Adapter w/ Washer
12	001043-45	Washer



Product Specifications:

Single Hole Single Temperature Deck Mount Basin Faucet, Wrist Action Metering Cartridge, 4" Wrist Action Handle, 2.2 GPM Aerator & 1/2" NPSM Male Inlet

Product Compliance:

ASME A112.18.1 / CSA B125.1
 NSF 61 - Section 9
 NSF 372 (Low Lead Content)
 ANSI A117.1 (ADA)