

# T&S BRASS AND BRONZE WORKS, INC.

2 Saddleback Cove / P.O. Box 1088  
Travelers Rest, SC 29690

Model No.

**B-0712-WA**

Item No.

Travelers Rest, SC: 800-476-4103 • Simi Valley, CA: 800-423-0150 • Fax: 864-834-3518 • www.tsbrass.com



**ADA Compliant**

This Space for Architect/Engineer Approval

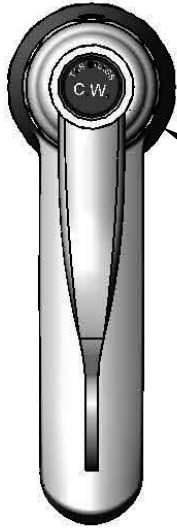
Job Name \_\_\_\_\_ Date \_\_\_\_\_

Model Specified \_\_\_\_\_ Quantity \_\_\_\_\_

Customer/Wholesaler \_\_\_\_\_

Contractor \_\_\_\_\_

Architect/Engineer \_\_\_\_\_



Ø 1 3/4"  
[44mm]  
Base



Wrist-Action Metering  
Cartridge & 4" Wrist Action  
Handle w/ Blue (Cold) Index

B-0199-02  
2.2 GPM  
Aerator

Mounting  
Surface

1/2" NPSM  
Male Inlet

2 5/16"  
[59mm]

7/8"  
[22mm]

150A  
Optional Tailpiece & Nut  
For 1/4" NPT Connection  
(Included)

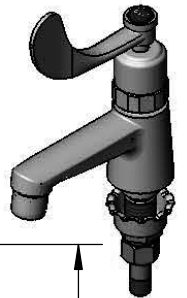
4"  
[102mm]

5 3/16"  
[131mm]

4 1/8"  
[105mm]

13/16"  
[21mm]  
Maximum  
Thickness

6 13/16"  
[173mm]



Rough-In Requirement:  
Ø 1-1/8" [29mm] Mounting Hole

### Product Specifications:

Single Hole Single Temperature Basin Deck Mount Faucet, Wrist  
Action Metering Cartridge, 4" Wrist Action Handle, 2.2 GPM Aerator  
& 1/2" NPSM Male Inlet

### Product Compliance:

ASME A112.18.1 / CSA B125.1  
NSF 61 - Section 9  
NSF 372 (Low Lead Content)  
ANSI A117.1 (ADA)



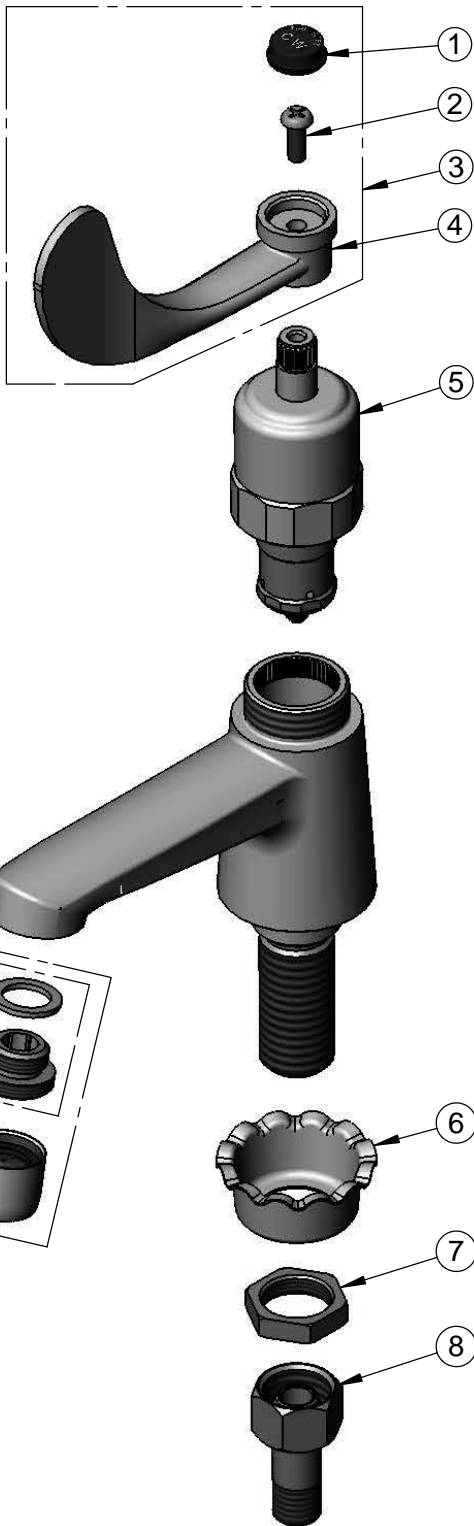
**T&S BRASS AND BRONZE WORKS, INC.**  
 2 Saddleback Cove / P.O. Box 1088  
 Travelers Rest, SC 29690

Model No.

**B-0712-WA**

Item No.

Travelers Rest, SC: 800-476-4103 • Simi Valley, CA: 800-423-0150 • Fax: 864-834-3518 • www.tsbrass.com



ITEM NO.	SALES NO.	DESCRIPTION
1	001686-45	Blue CW Index
2	000925-45	Lab Handle Screw
3	B-WH4C	4" Wrist Action Handle, Screw & Cold Index
4	B-WH4	4" Wrist Action Handle
5	012449-40	Wrist-Action Metering Cartridge
6	001000-45	Rosette Washer
7	002954-45	Shank Lock Nut
8	150A	1/4" NPT Tailpiece & Nut
9	B-0199-01	2.2 GPM Aerator, 55/64"-27UN Female
10	B-0199-02	2.2 GPM Aerator, 3/8" NPSM Male
11	044A	3/8" to Aerator Adapter
12	001043-45	Washer

Product Specifications:  
 Single Hole Single Temperature Basin Deck Mount Faucet, Wrist Action Metering Cartridge, 4" Wrist Action Handle, 2.2 GPM Aerator & 1/2" NPSM Male Inlet

Product Compliance:  
 ASME A112.18.1 / CSA B125.1  
 NSF 61 - Section 9  
 NSF 372 (Low Lead Content)  
 ANSI A117.1 (ADA)