



T&S BRASS AND BRONZE WORKS, INC.
 2 Saddleback Cove / P.O. Box 1088
 Travelers Rest, SC 29690

Model No.

B-0720-RGH

Item No.

Travelers Rest, SC: 800-476-4103 • Simi Valley, CA: 800-423-0150 • Fax: 864-834-3518 • www.tsbrass.com

This Space for Architect/Engineer Approval

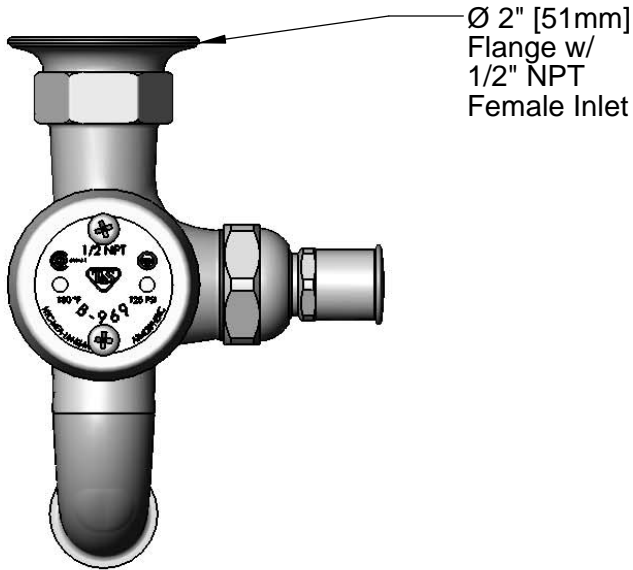
Job Name _____ Date _____

Model Specified _____ Quantity _____

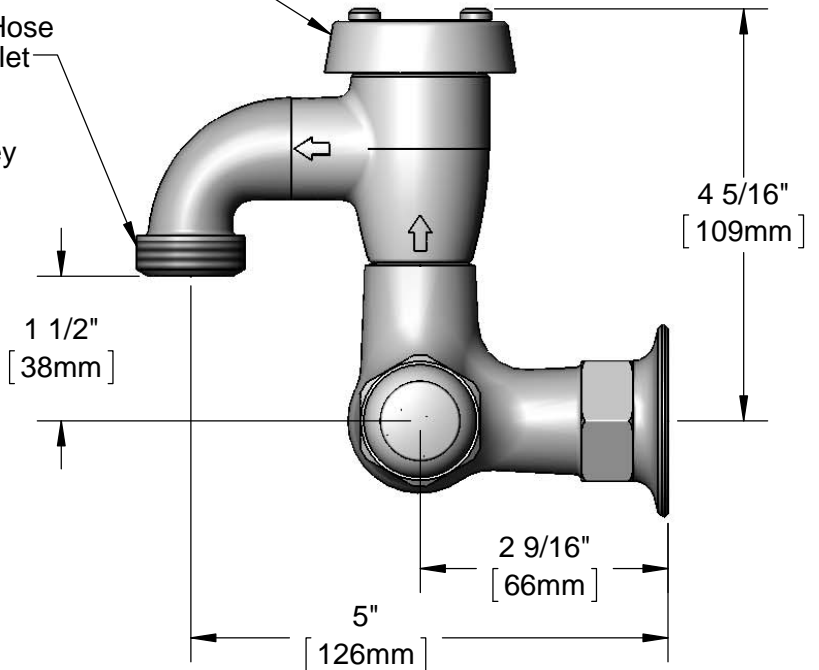
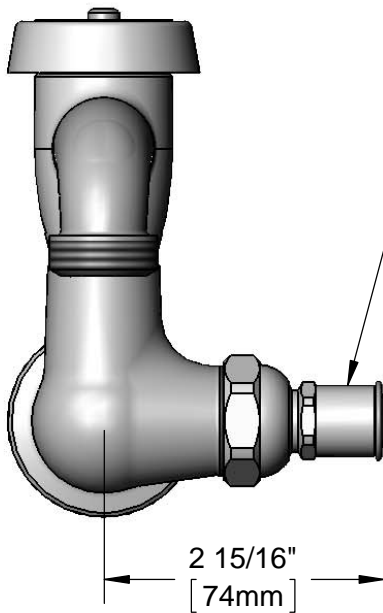
Customer/Wholesaler _____

Contractor _____

Architect/Engineer _____



B-0969
 1/2" NPT
 Vacuum Breaker



Product Specifications:

Single Hole Single Temperature Wall Mount Sill Faucet, Loose Key Stop, Vacuum Breaker, Spout w/ Garden Hose Male Outlet, Rough Chrome Finish & 1/2" NPT Female Inlet

Product Compliance:

ASME A112.18.1 / CSA B125.1
 NSF 61 Exempt (Non-Potable)
 ASSE 1001 (VB)



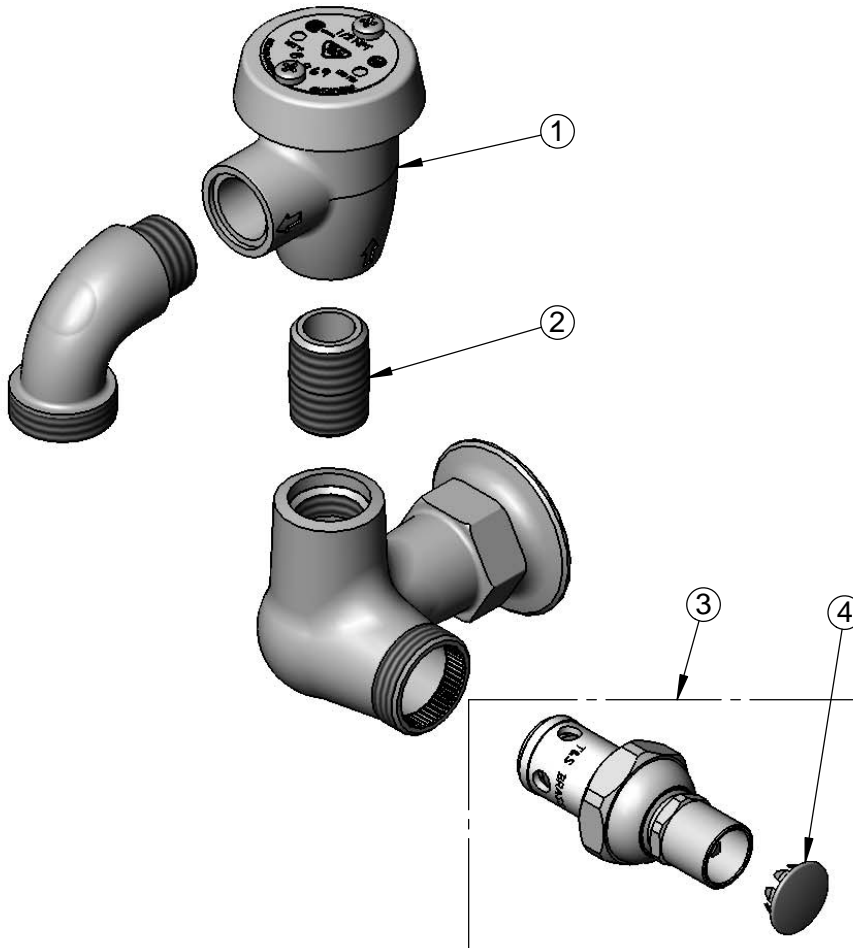
T&S BRASS AND BRONZE WORKS, INC.
 2 Saddleback Cove / P.O. Box 1088
 Travelers Rest, SC 29690

Model No.
B-0720-RGH

Item No.

Travelers Rest, SC: 800-476-4103 • Simi Valley, CA: 800-423-0150 • Fax: 864-834-3518 • www.tsbrass.com

ITEM NO.	SALES NO.	DESCRIPTION
1	B-0969	1/2" NPT Vacuum Breaker
2	002534-25	Close Nipple, 1/2" NPT
3	124A	Loose Key Stop Cartridge, RTC w/ T- Handle, Screw & Cap
4	001605-45	Cap



Product Specifications:

Single Hole Single Temperature Wall Mount Sill Faucet, Loose Key Stop, Vacuum Breaker, Spout w/ Garden Hose Male Outlet, Rough Chrome Finish & 1/2" NPT Female Inlet

Product Compliance:

ASME A112.18.1 / CSA B125.1
 NSF 61 Exempt (Non-Potable)
 ASSE 1001 (VB)