



T&S BRASS AND BRONZE WORKS, INC.

2 Saddleback Cove / P.O. Box 1088
Travelers Rest, SC 29690

Model No.

B-0805-01

Item No.

Travelers Rest, SC: 800-476-4103 • Simi Valley, CA: 800-423-0150 • Fax: 864-834-3518 • www.tsbrass.com



ADA Compliant

This Space for Architect/Engineer Approval

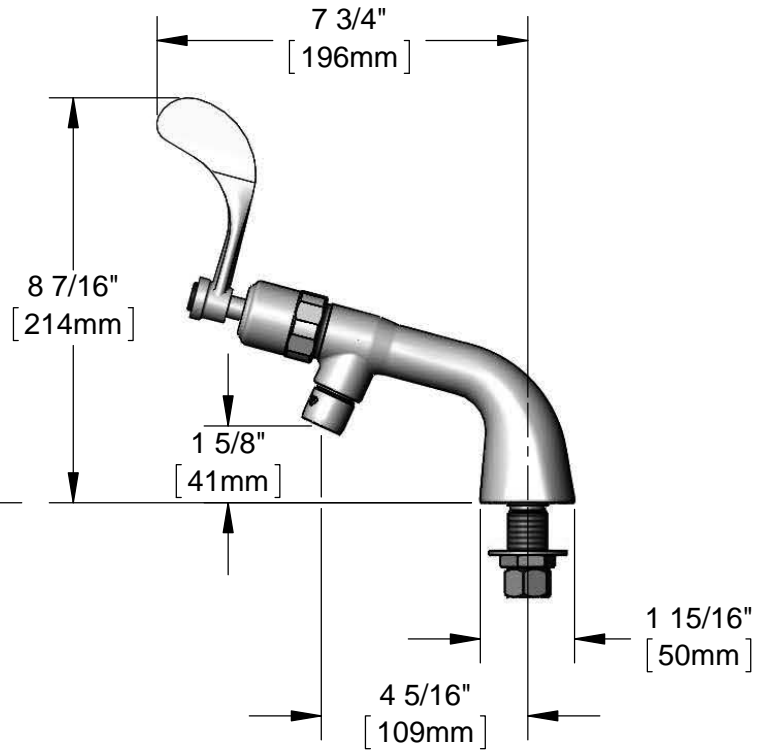
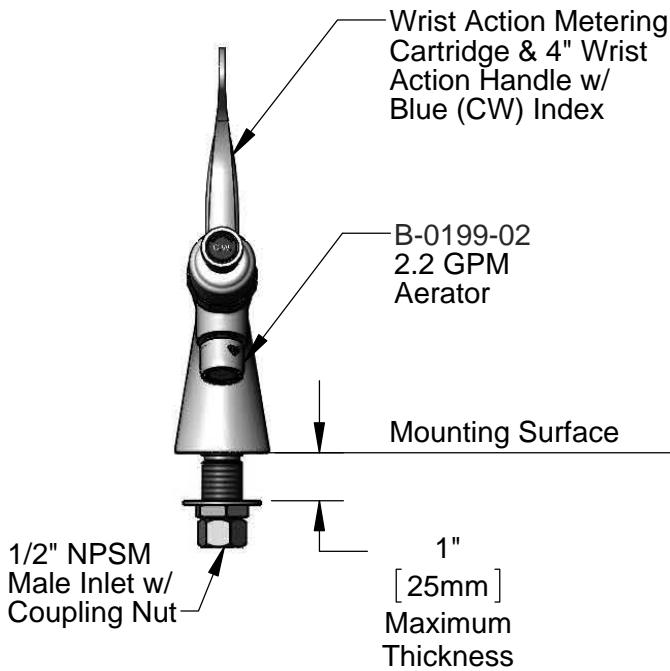
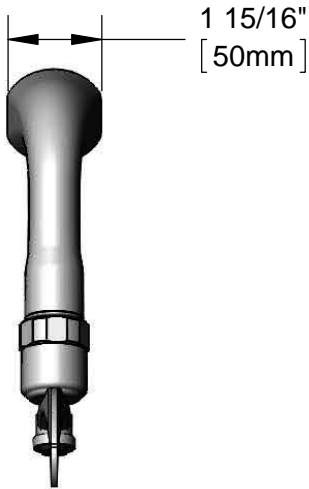
Job Name _____ Date _____

Model Specified _____ Quantity _____

Customer/Wholesaler _____

Contractor _____

Architect/Engineer _____



Rough-In Requirement:
Ø 1" [25mm] Mounting Hole

Product Specifications:
Single Temperature Deck Mount Faucet, Wrist Action Metering Cartridge, 4" Wrist Action Handle, 2.2 GPM Aerator & 1/2" NPSM Male Inlet

Product Compliance:
ASME A112.18.1 / CSA B125.1
NSF 61 - Section 9
NSF 372 (Low Lead Content)
ANSI A117.1 (ADA)



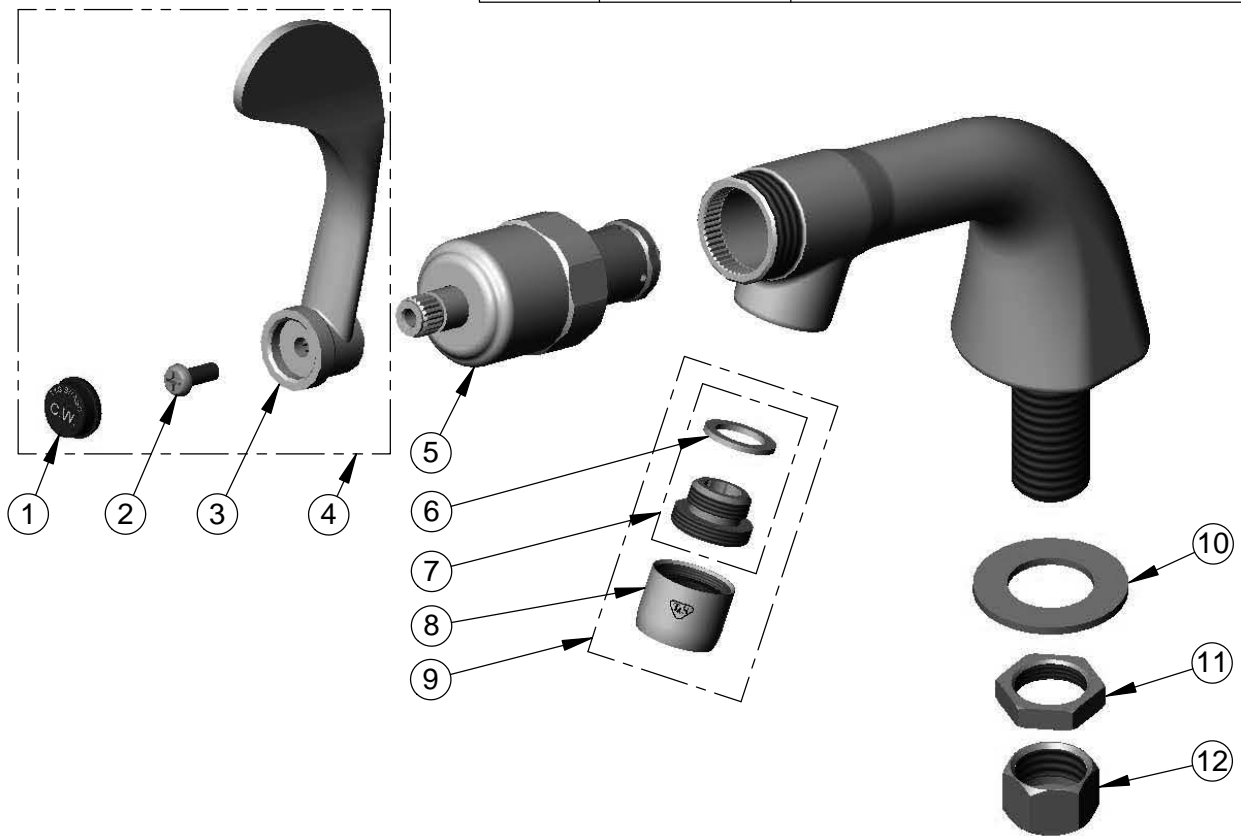
T&S BRASS AND BRONZE WORKS, INC.
 2 Saddleback Cove / P.O. Box 1088
 Travelers Rest, SC 29690

Model No.
B-0805-01

Item No.

Travelers Rest, SC: 800-476-4103 • Simi Valley, CA: 800-423-0150 • Fax: 864-834-3518 • www.tsbrass.com

ITEM NO.	SALES NO.	DESCRIPTION
1	001686-45	Blue Index - CW
2	000925-45	Lab Handle Screw
3	B-WH4	4" Wrist Action Handle
4	B-WH4C	4" Wrist Action Handle, Screw & Cold Index
5	012449-40	Wrist Action Metering Cartridge
6	001043-45	Washer
7	044A	3/8" to Aerator Adapter
8	B-0199-01	2.2 GPM Aerator, 55/64"-27 UN Female
9	B-0199-02	2.2 GPM Aerator, 3/8" NPSM Male
10	000999-45	Brass Lock Washer
11	002954-45	Shank Lock Nut
12	000958-20	Coupling Nut



Product Specifications:

Single Temperature Deck Mount Faucet, Wrist Action Metering Cartridge, 4" Wrist Action Handle, 2.2 GPM Aerator & 1/2" NPSM Male Inlet

Product Compliance:

ASME A112.18.1 / CSA B125.1
 NSF 61 - Section 9
 NSF 372 (Low Lead Content)
 ANSI A117.1 (ADA)