



T&S BRASS AND BRONZE WORKS, INC.

2 Saddleback Cove / P.O. Box 1088
Travelers Rest, SC 29690

Model No.

B-0807-01

Item No.

Travelers Rest, SC: 800-476-4103 • Simi Valley, CA: 800-423-0150 • Fax: 864-834-3518 • www.tsbrass.com

This Space for Architect/Engineer Approval

Job Name _____ Date _____

Model Specified _____ Quantity _____

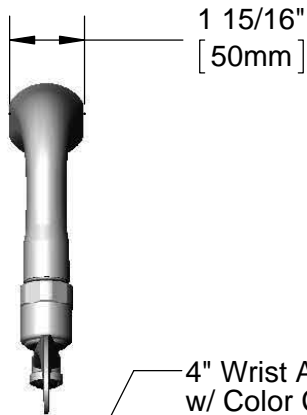
Customer/Wholesaler _____

Contractor _____

Architect/Engineer _____



ADA Compliant

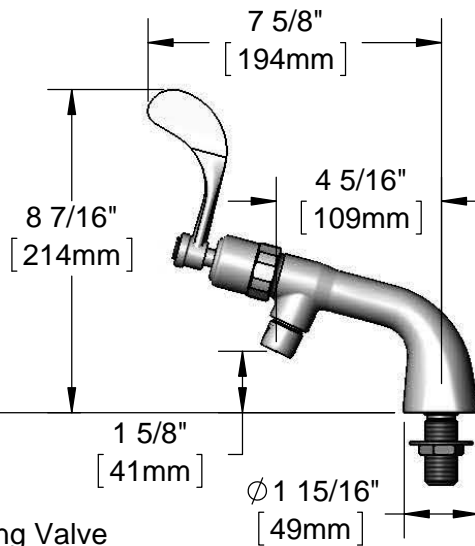


1 15/16"
[50mm]

4" Wrist Action Handle
w/ Color Coded Index
& Metering Cartridge.
Remove Handle Screw
to Access Metering
Adjustment. (Metering
Adjustment Requires
3/32" Hex Key)

B-0199-02
2.2 GPM Aerator

Mounting Surface



1 1/4"
[32mm]
Maximum
Thickness

Temperature Mixing Valve
w/ Integral Check Valves

18" Flexible Stainless Steel
Supply Hoses

Compression Fittings
for 5/8" O.D. Copper Tubing
(Remove Compression Nut
for 1/2" NPSM Male)

Rough-In Requirement:
Ø1" [25mm] Mounting Hole

Product Specifications:

Single Hole, Single Temperature Deck Mount Faucet, Wrist Action Metering Cartridge, 4" Wrist Action Handle, 2.2 GPM Aerator, Temperature Control Mixing Valve w/ Integral Check Valves & 18" Flexible Stainless Steel Supply Hoses w/ 1/2" NPSM Male Inlets

Product Compliance:

ASME A112.18.1 / CSA B125.1
NSF 61 - Section 9
NSF 372 (Low Lead Content)
ANSI A117.1 (ADA)



T&S BRASS AND BRONZE WORKS, INC.

2 Saddleback Cove / P.O. Box 1088
Travelers Rest, SC 29690

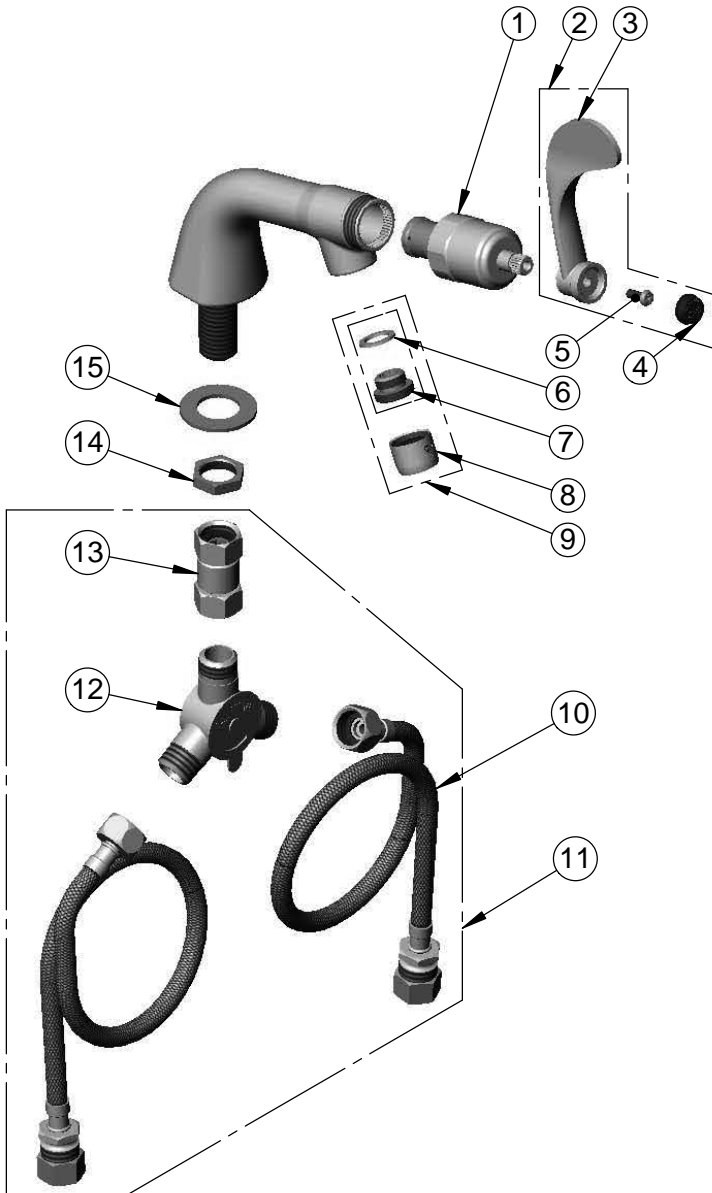
Model No.

B-0807-01

Item No.

Travelers Rest, SC: 800-476-4103 • Simi Valley, CA: 800-423-0150 • Fax: 864-834-3518 • www.tsbrass.com

ITEM NO.	SALES NO.	DESCRIPTION
1	012449-40	Wrist Action Metering Cartridge
2	B-WH4C	4" Wrist Action Handle, Screw & Cold Index
3	B-WH4	4" Wrist Action Handle
4	001686-45	Blue Index - CW
5	000925-45	Lab Handle Screw
6	001043-45	Washer
7	044A	3/8" to Aerator Adapter
8	B-0199-01	2.2 GPM Aerator, 55/64"-27 UN Female
9	B-0199-02	2.2 GPM Aerator, 3/8" NPSM Male
10	019192-45	Flexible Connector Hose (2)
11	019321-40	Temperature Control Mixing Valve w/ Flexible 1/2" NPSM Male Inlets
12	5EF-0006	Mechanical Mixing Valve
13	017506-45	1/2" NPSM Swivel Coupling
14	002954-45	Shank Lock Nut
15	000999-45	Brass Lock Washer



Product Specifications:

Single Hole, Single Temperature Deck Mount Faucet, Wrist Action Metering Cartridge, 4" Wrist Action Handle, 2.2 GPM Aerator, Temperature Control Mixing Valve w/ Integral Check Valves & 18" Flexible Stainless Steel Supply Hoses w/ 1/2" NPSM Male Inlets

Product Compliance:

ASME A112.18.1 / CSA B125.1
NSF 61 - Section 9
NSF 372 (Low Lead Content)
ANSI A117.1 (ADA)