



T&S BRASS AND BRONZE WORKS, INC.

2 Saddleback Cove / P.O. Box 1088
Travelers Rest, SC 29690



REG. #A2601
ISO #9001

Model No.

B-0831-01

Item No.

Travelers Rest, SC: 800-476-4103 Simi Valley, CA: 800-423-0150 Fax: 864-834-3518 www.tsbrass.com

This Space for Architect/Engineer Approval

Job Name _____ Date _____

Model Specified _____ Quantity _____

Customer/Wholesaler _____

Contractor _____

Architect/Engineer _____

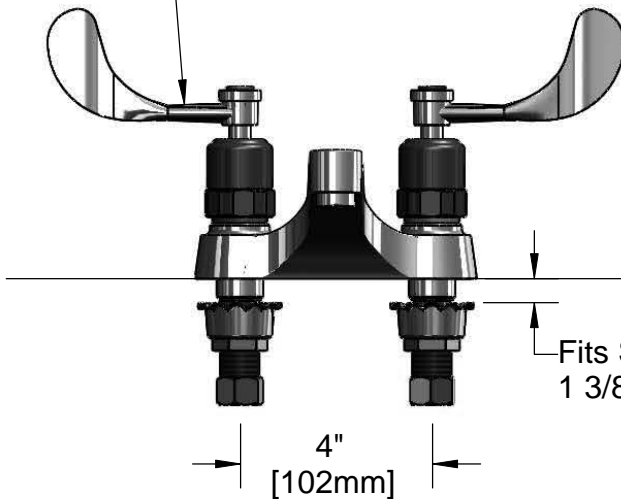


ADA Compliant

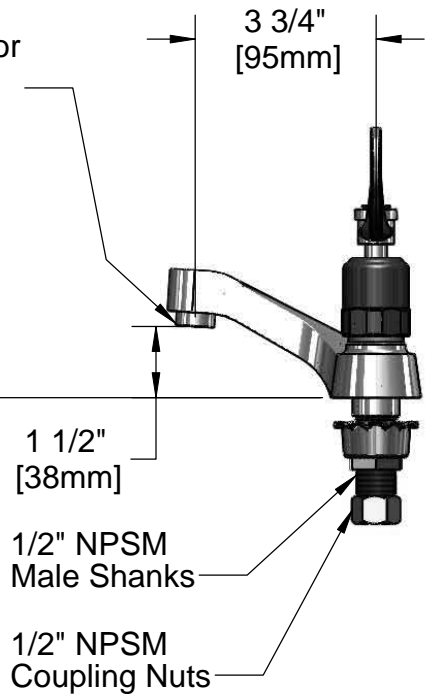


Wrist Action Metering
Cartridges, & B-WH4
4" Wrist Action Handles
w/ Color Coded Indexes

B-0199-03
Male Aerator
2.2 GPM



Mounting Surface



Note: Rough-In Requirements
(2) ϕ 1 1/8" [29mm] Holes

Product Specifications:

4" Centerset Metering Faucet, 1/2" NPSM Male Shanks,
Wrist Action Metering Cartridges, 4" Wrist Action Handles,
& 2.2 GPM Aerator

Drawn KJG	Checked DHL	Approved JHB
Scale: 1:4		Date: 09/16/10



T&S BRASS AND BRONZE WORKS, INC.

2 Saddleback Cove / P.O. Box 1088
Travelers Rest, SC 29690



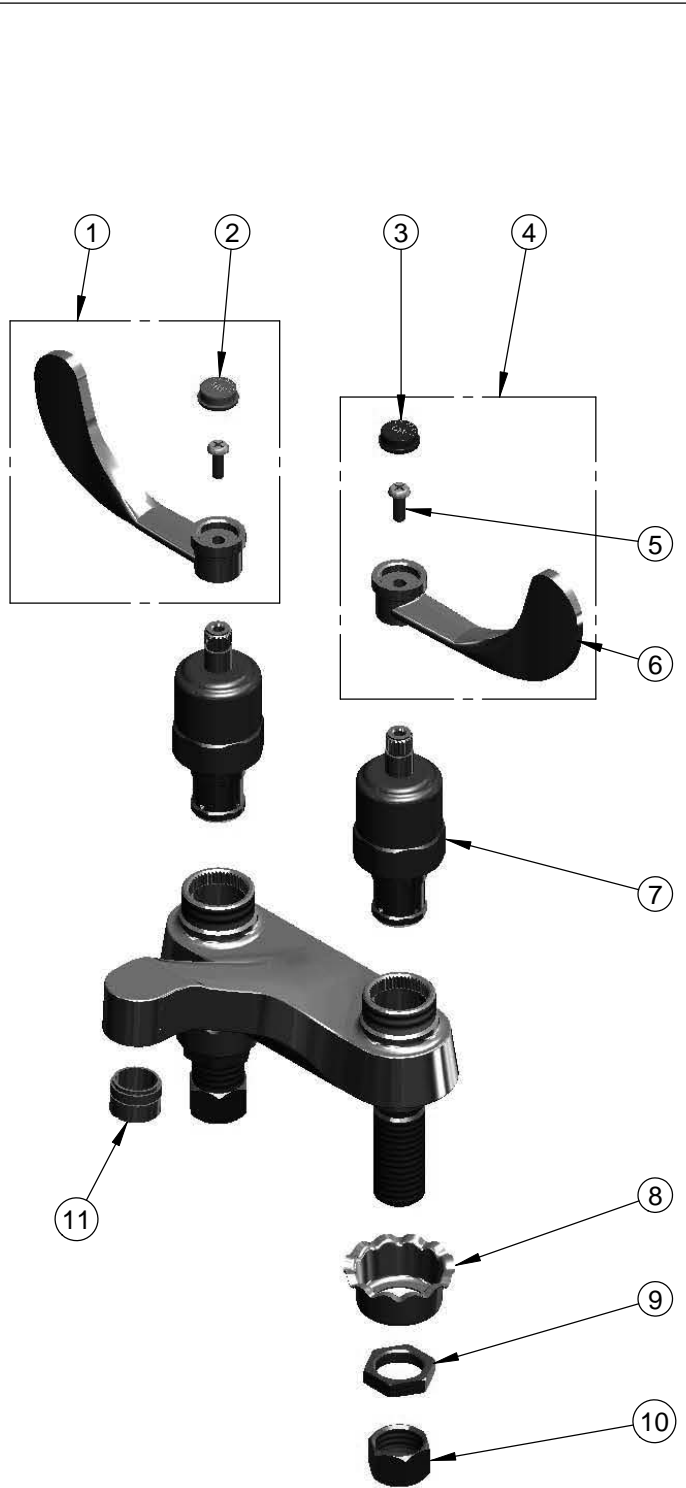
REG. #A2601
ISO #9001

Model No.

B-0831-01

Item No.

Travelers Rest, SC: 800-476-4103 Simi Valley, CA: 800-423-0150 Fax: 864-834-3518 www.tsbrass.com



ITEM NO.	SALES NO.	DESCRIPTION
1	B-WH4H	4" Wrist Action Handle, Screw, & Hot Index
2	001194-45	Red HW Index
3	001686-45	Blue CW Index
4	B-WH4C	4" Wrist Action Handle, Screw, & Cold Index
5	000925-45	Lab Handle Screw
6	B-WH4	4" Wrist Action Handle
7	012449-40	Wrist Action Metering Cartridge Assembly
8	001000-45	Rosette Washer
9	002954-45	Shank Lock Nut
10	000958-20	Coupling Nut
11	B-0199-03	2.2 GPM Aerator

Product Specifications:

4" Centerset Metering Faucet, 1/2" NPSM Male Shanks, Wrist Action Metering Cartridges, 4" Wrist Action Handles, & 2.2 GPM Aerator

Drawn KJG	Checked DHL	Approved JHB
Scale: NTS		Date: 09/16/10