



# T&S BRASS AND BRONZE WORKS, INC.

2 Saddleback Cove / P.O. Box 1088  
Travelers Rest, SC 29690



REG. #A2601  
ISO #9001

Model No.  
**B-0834-01**

Item No.

Travelers Rest, SC: 800-476-4103 Simi Valley, CA: 800-423-0150 Fax: 864-834-3518 www.tsbrass.com

This Space for Architect/Engineer Approval

Job Name \_\_\_\_\_ Date \_\_\_\_\_

Model Specified \_\_\_\_\_ Quantity \_\_\_\_\_

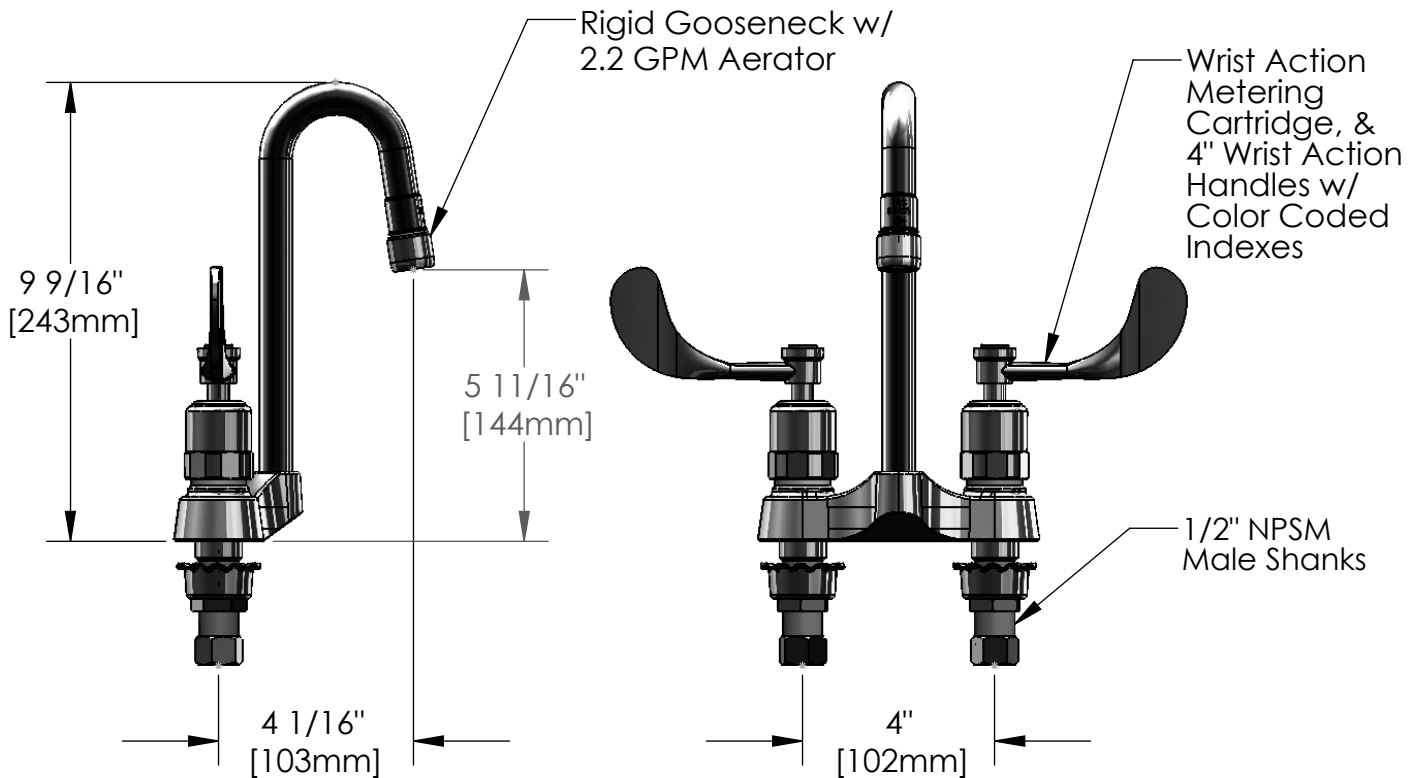
Customer/Wholesaler \_\_\_\_\_

Contractor \_\_\_\_\_

Architect/Engineer \_\_\_\_\_



**ADA Compliant**



Note: Rough-In Requirements:  
 $\varnothing 1''$  [25mm] Hole on 4" Centers

Product Specifications:  
4" Centerset Mixing Faucet,  $\frac{1}{2}''$  NPSM Male Shanks,  
Wrist Action Metering Cartridges, 4" Wrist Action  
Handles, Rigid Gooseneck, & 2.2 GPM Aerator

|                      |                       |                          |
|----------------------|-----------------------|--------------------------|
| Drawn<br><b>DHL</b>  | Checked<br><b>JRM</b> | Approved<br><b>JHB</b>   |
| Scale:<br><b>1:4</b> |                       | Date:<br><b>04/21/08</b> |



**T&S BRASS AND BRONZE WORKS, INC.**

2 Saddleback Cove / P.O. Box 1088  
Travelers Rest, SC 29690



REG. #A2601  
ISO #9001

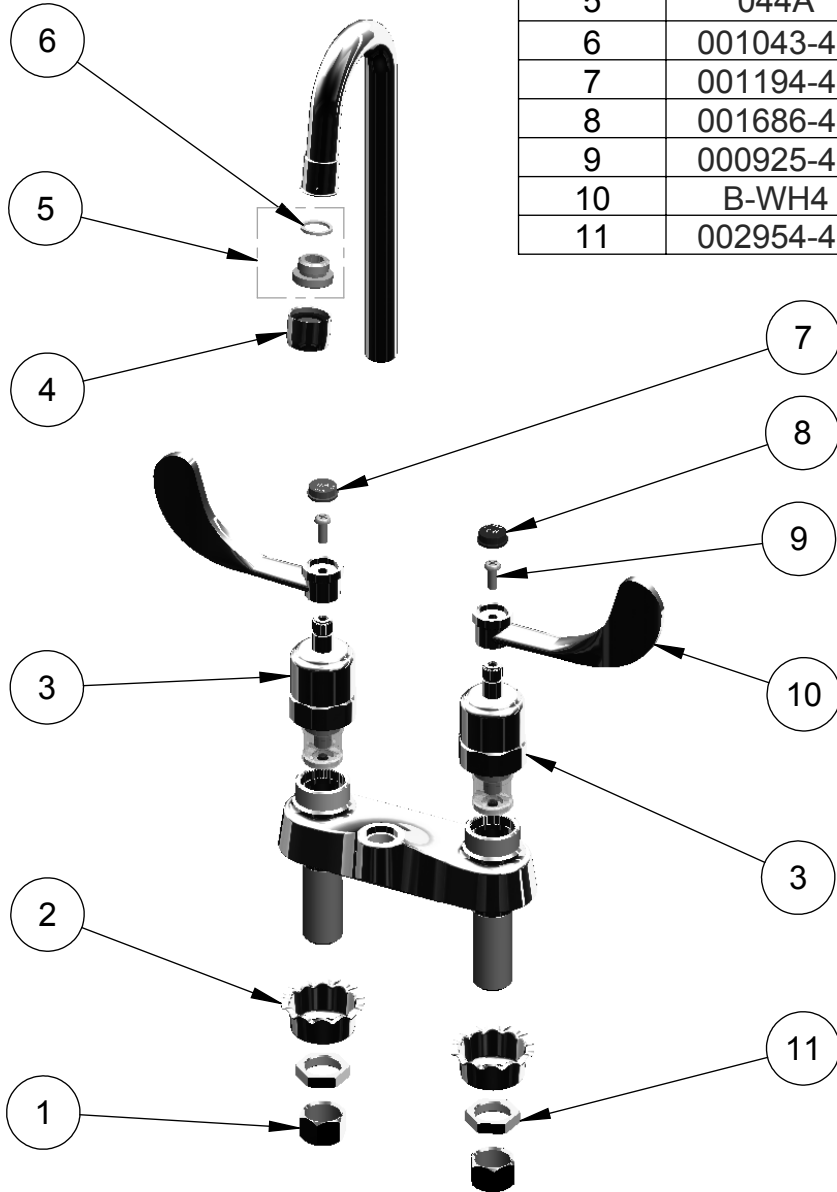
Model No.

**B-0834-01**

Item No.

Travelers Rest, SC: 800-476-4103 Simi Valley, CA: 800-423-0150 Fax: 864-834-3518 www.tsbrass.com

| ITEM NO. | SALES NO. | DESCRIPTION                         |
|----------|-----------|-------------------------------------|
| 1        | 000958-20 | Coupling Nut                        |
| 2        | 001000-45 | Rosette Washer                      |
| 3        | 012449-40 | Wrist Action Metering Cartridge Asm |
| 4        | B-0199-01 | Aerator, 2.2 GPM, 55/64-27 Female   |
| 5        | 044A      | Adapter for Non-Splash Aerator      |
| 6        | 001043-45 | Washer                              |
| 7        | 001194-45 | Red HW Index                        |
| 8        | 001686-45 | Blue CW Index                       |
| 9        | 000925-45 | Lab Handle Screw                    |
| 10       | B-WH4     | 4" Wrist Action Handle              |
| 11       | 002954-45 | Shank Lock Nut                      |



Product Specifications:

4" Centerset Mixing Faucet, 1/2" NPSM Male Shanks,  
Wrist Action Metering Cartridges, 4" Wrist Action  
Handles, Rigid Gooseneck, & 2.2 GPM Aerator

|                      |                       |                          |
|----------------------|-----------------------|--------------------------|
| Drawn<br><b>DHL</b>  | Checked<br><b>JRM</b> | Approved<br><b>JHB</b>   |
| Scale:<br><b>1:4</b> |                       | Date:<br><b>04/21/08</b> |