



T&S BRASS AND BRONZE WORKS, INC.

2 Saddleback Cove / P.O. Box 1088
Travelers Rest, SC 29690

Model No.

B-0865-04

Item No.

Travelers Rest, SC: 800-476-4103 • Simi Valley, CA: 800-423-0150 • Fax: 864-834-3518 • www.tsbrass.com



ADA Compliant

This Space for Architect/Engineer Approval

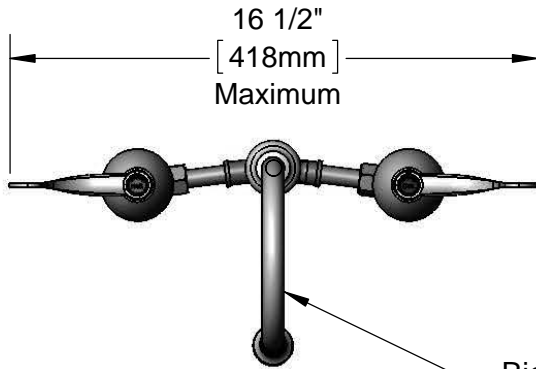
Job Name _____ Date _____

Model Specified _____ Quantity _____

Customer/Wholesaler _____

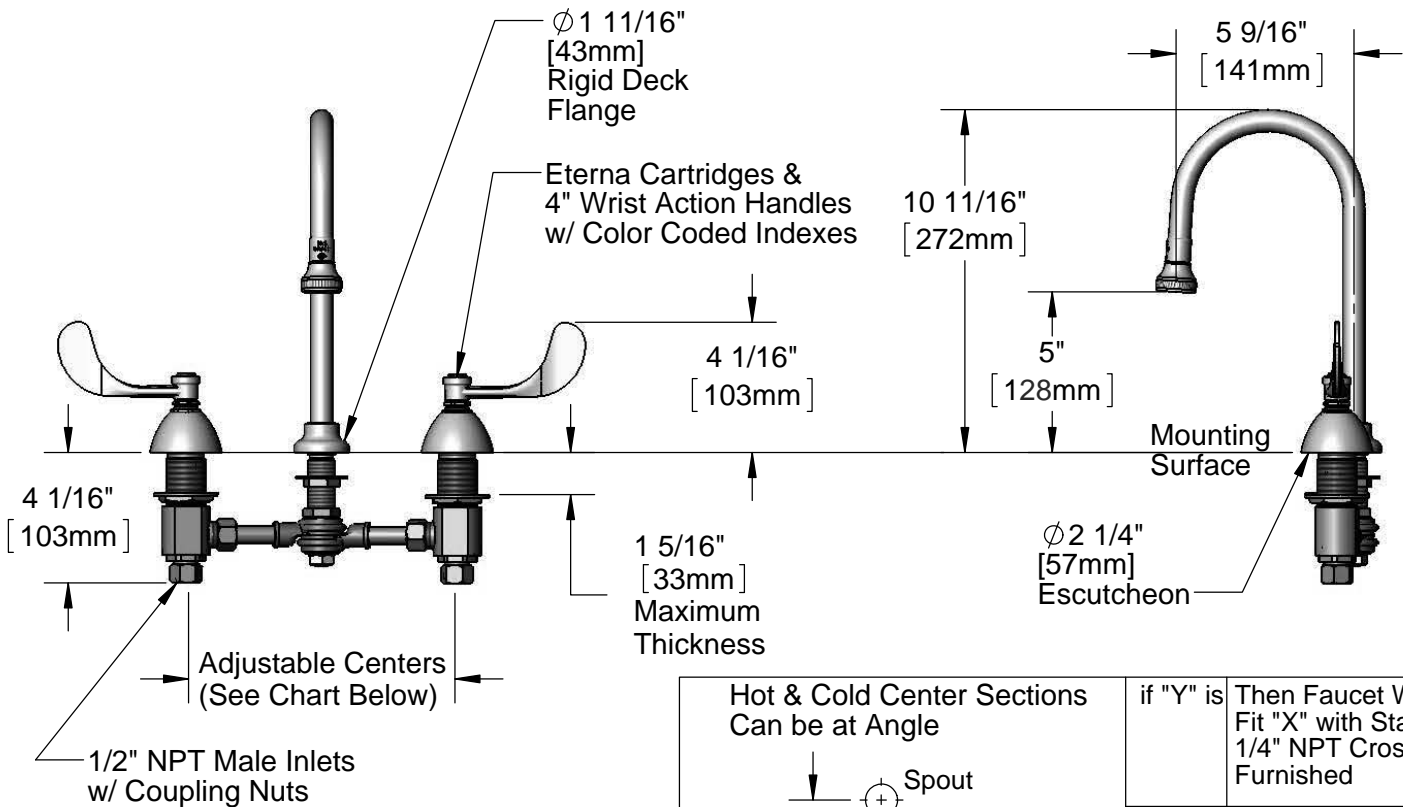
Contractor _____

Architect/Engineer _____

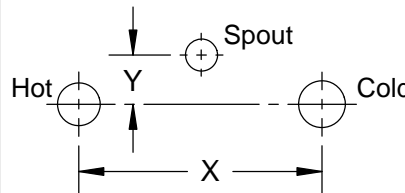


16 1/2"
[418mm]
Maximum

Rigid Gooseneck w/
B-0103-01
Rosespray Outlet



Hot & Cold Center Sections
Can be at Angle



if "Y" is Then Faucet Will Fit "X" with Standard 1/4" NPT Cross Pipes Furnished

1/2"	8"
1"	7 3/4"
1 1/2"	7 3/8"
2"	7"

Rough-In Requirement:
Center Shank: $\phi 1$ " [$\phi 25$ mm] Mounting Hole
Hot/Cold Bodies: $\phi 1 \frac{1}{2}$ " [$\phi 38$ mm] Mounting Holes

Product Specifications:
8" Deck Mount Mixing Faucet, Eterna Cartridges, 4" Wrist Action Handles, Rigid Gooseneck w/ Rosespray Outlet & 1/2" NPT Male Inlets w/ Coupling Nuts

Product Compliance:
ASME A112.18.1 / CSA B125.1
NSF 61 - Section 9
NSF 372 (Low Lead Content)
ANSI A117.1 (ADA)



T&S BRASS AND BRONZE WORKS, INC.

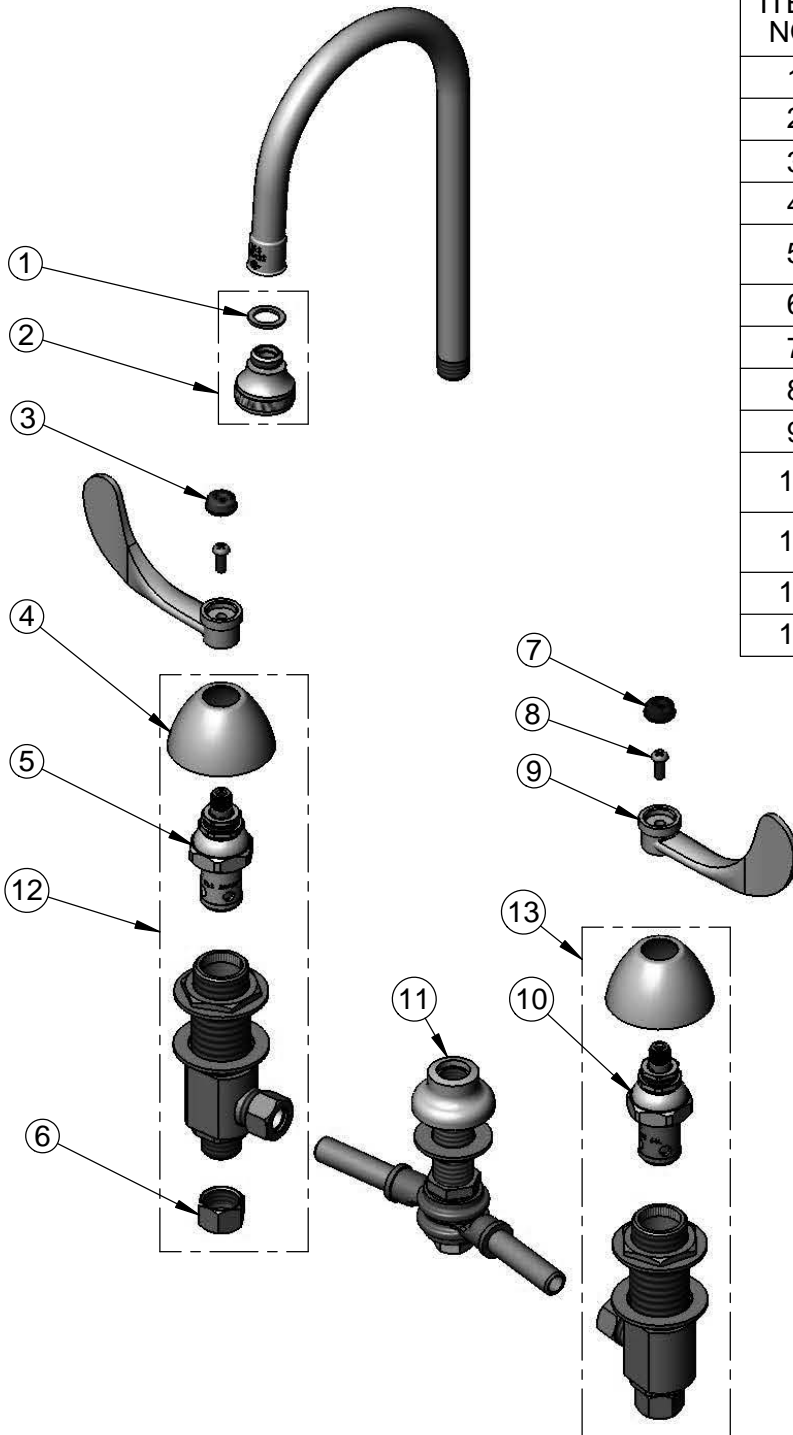
2 Saddleback Cove / P.O. Box 1088
Travelers Rest, SC 29690

Model No.

B-0865-04

Item No.

Travelers Rest, SC: 800-476-4103 • Simi Valley, CA: 800-423-0150 • Fax: 864-834-3518 • www.tsbrass.com



ITEM NO.	SALES NO.	DESCRIPTION
1	001043-45	Washer
2	B-0103	Rosespray Outlet
3	001194-45	Red Index-HW
4	001257-40	Bell Escutcheon
5	006478-40	Eterna Cartridge, RTC (Teflon) w/ Escutcheon Bonnet
6	000958-20	Coupling Nut
7	001686-45	Blue Index-CW
8	000925-45	Lab Handle Screw
9	B-WH4	4" Wrist Action Handle
10	006477-40	Eterna Cartridge, LTC (Teflon) w/ Escutcheon Bonnet
11	005973-40	8" Swivel Yoke w/ Rigid Flange Outlet
12	162A	B-0850 Side Body - Hot
13	161A	B-0850 Side Body - Cold

Product Specifications:

8" Deck Mount Mixing Faucet, Eterna Cartridges, 4" Wrist Action Handles, Rigid Gooseneck w/ Rosespray Outlet & 1/2" NPT Male Inlets w/ Coupling Nuts

Product Compliance:

ASME A112.18.1 / CSA B125.1
NSF 61 - Section 9
NSF 372 (Low Lead Content)
ANSI A117.1 (ADA)