

T&S BRASS AND BRONZE WORKS, INC.

2 Saddleback Cove / P.O. Box 1088
Travelers Rest, SC 29690

Model No.

B-0866-04-CR

Item No.

Travelers Rest, SC: 800-476-4103 • Simi Valley, CA: 800-423-0150 • Fax: 864-834-3518 • www.tsbrass.com



ADA Compliant

This Space for Architect/Engineer Approval

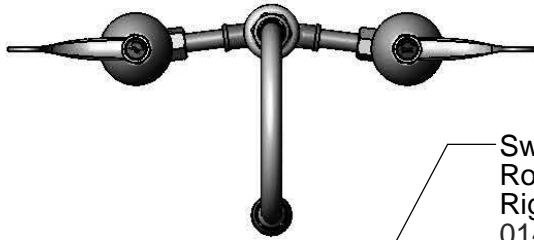
Job Name _____ Date _____

Model Specified _____ Quantity _____

Customer/Wholesaler _____

Contractor _____

Architect/Engineer _____

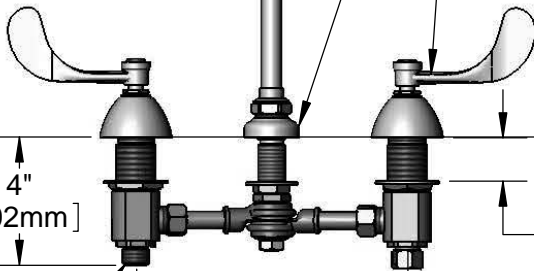
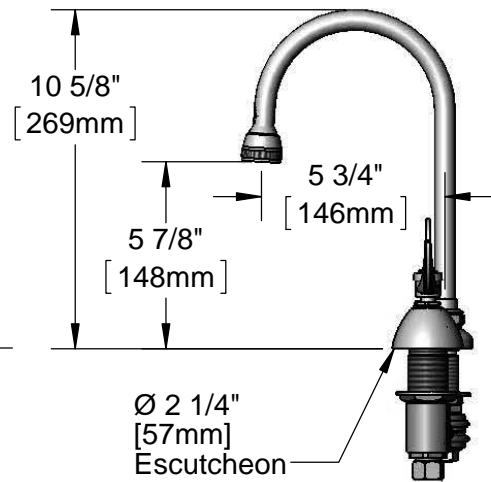


Swivel Gooseneck w/
Rosespray Outlet.
Rigid Conversion Requires
014200-45 Lock Washer
(Included)



Ø 1 11/16"
[43mm]
Swivel Deck
Flange

Cerama Cartridges &
4" Wrist Action Handles
w/ Color Coded Indexes



Mounting Surface

4" [102mm]

1 1/4" [32mm]
Maximum
Thickness

Adjustable Centers
(See Chart Below)

1/2" NPT Threads w/
Brass Coupling Nuts

Hot & Cold Center Sections Can be at Angle		if "Y" is	Then Faucet Will Fit "X" with Standard 1/4" NPT Cross Pipes Furnished
		1/2"	8"
		1"	7 3/4"
		1 1/2"	7 3/8"
		2"	7"

Rough-In Requirement:
Center Shank: Ø 1" [25mm] Mounting Hole
Hot/Cold Bodies: Ø 1 1/2" [38mm] Mounting Hole

Product Specifications:
8" Deck Mount Mixing Faucet w/ Cerama Cartridges, 4" Wrist Action
Handles, Swivel Gooseneck w/ Rosespray Outlet

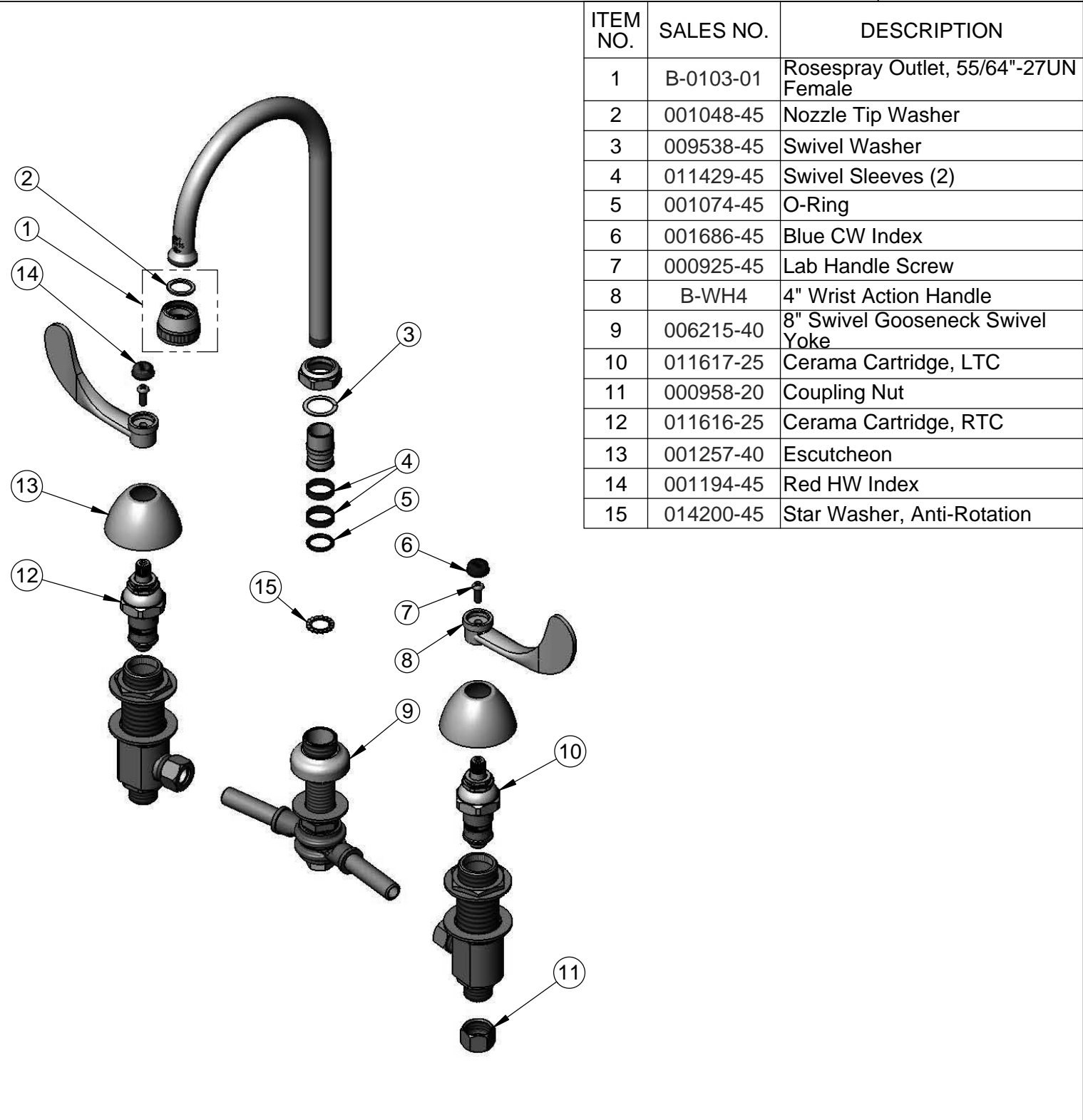
Drawn KJG	Checked DMH	Approved JHB
Scale: 1:6		Date: 01/31/14



T&S BRASS AND BRONZE WORKS, INC.
 2 Saddleback Cove / P.O. Box 1088
 Travelers Rest, SC 29690

Model No.
B-0866-04-CR
 Item No.

Travelers Rest, SC: 800-476-4103 • Simi Valley, CA: 800-423-0150 • Fax: 864-834-3518 • www.tsbrass.com



ITEM NO.	SALES NO.	DESCRIPTION
1	B-0103-01	Rosespray Outlet, 55/64"-27UN Female
2	001048-45	Nozzle Tip Washer
3	009538-45	Swivel Washer
4	011429-45	Swivel Sleeves (2)
5	001074-45	O-Ring
6	001686-45	Blue CW Index
7	000925-45	Lab Handle Screw
8	B-WH4	4" Wrist Action Handle
9	006215-40	8" Swivel Gooseneck Swivel Yoke
10	011617-25	Cerama Cartridge, LTC
11	000958-20	Coupling Nut
12	011616-25	Cerama Cartridge, RTC
13	001257-40	Escutcheon
14	001194-45	Red HW Index
15	014200-45	Star Washer, Anti-Rotation

Product Specifications:
 8" Deck Mount Mixing Faucet w/ Cerama Cartridges, 4" Wrist Action Handles, Swivel Gooseneck w/ Rosespray Outlet

Drawn KJG	Checked DMH	Approved JHB
Scale: NTS		Date: 01/31/14