

# T&S BRASS AND BRONZE WORKS, INC.

2 Saddleback Cove / P.O. Box 1088  
Travelers Rest, SC 29690

Model No.

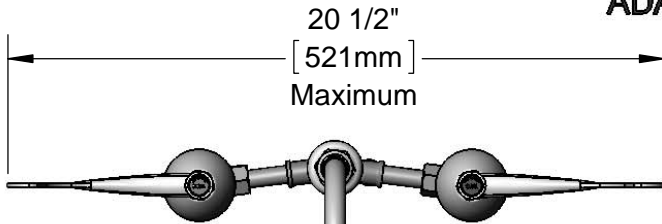
**B-0866-PV**

Item No.

Travelers Rest, SC: 800-476-4103 • Simi Valley, CA: 800-423-0150 • Fax: 864-834-3518 • www.tsbrass.com



**ADA Compliant**



This Space for Architect/Engineer Approval

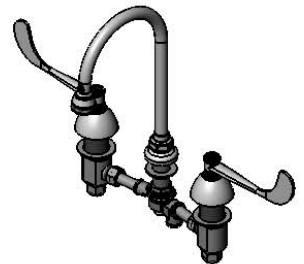
Job Name \_\_\_\_\_ Date \_\_\_\_\_

Model Specified \_\_\_\_\_ Quantity \_\_\_\_\_

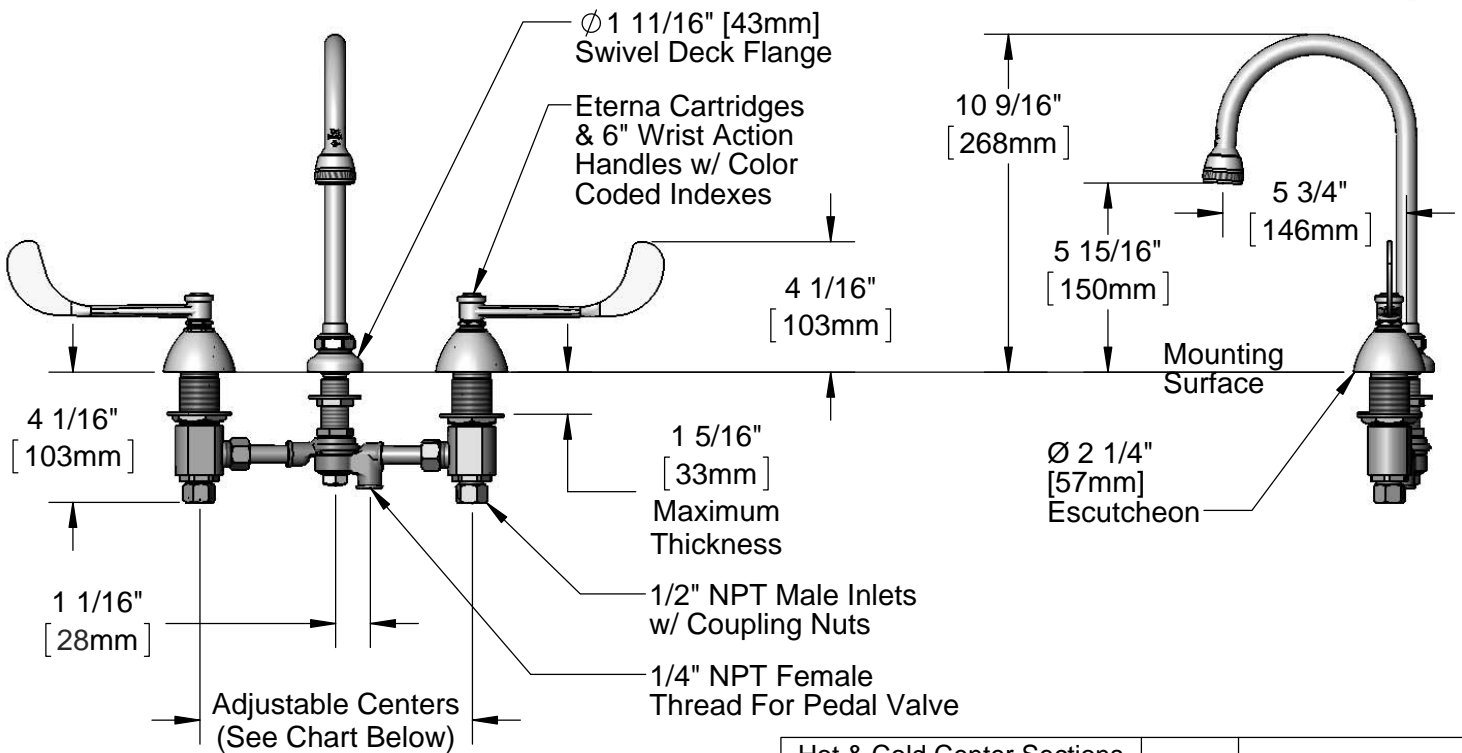
Customer/Wholesaler \_\_\_\_\_

Contractor \_\_\_\_\_

Architect/Engineer \_\_\_\_\_

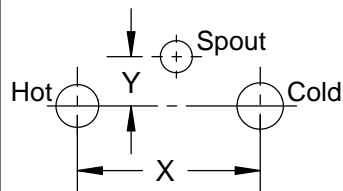


Swivel Gooseneck w/  
B-0103-01  
Rosespray Outlet.  
Rigid Conversion Requires  
014200-45 Lock Washer  
(Included)



**Rough-In Requirement:**  
Center Shank:  $\phi$  1" [ $\phi$ 25mm] Mounting Hole  
Hot/Cold Bodies:  $\phi$  1 1/2" [ $\phi$ 38mm] Mounting Holes

Hot & Cold Center Sections  
Can be at Angle



if "Y" is

Then Faucet Will  
Fit "X" with Standard  
1/4" NPT Cross Pipes  
Furnished

1/2"

8"

1"

7 3/4"

1 1/2"

7 3/8"

2"

7"

**Product Specifications:**

8" Deck Mount Mixing Faucet, Eterna Cartridges, 6" Wrist Action Handles, Swivel Gooseneck w/ Rosespray Outlet, Pedal Valve Connection & 1/2" NPT Male Inlets w/ Coupling Nuts

**Product Compliance:**

ASME A112.18.1 / CSA B125.1  
NSF 61 - Section 9  
NSF 372 (Low Lead Content)  
ANSI A117.1 (ADA)



# T&S BRASS AND BRONZE WORKS, INC.

2 Saddleback Cove / P.O. Box 1088  
Travelers Rest, SC 29690

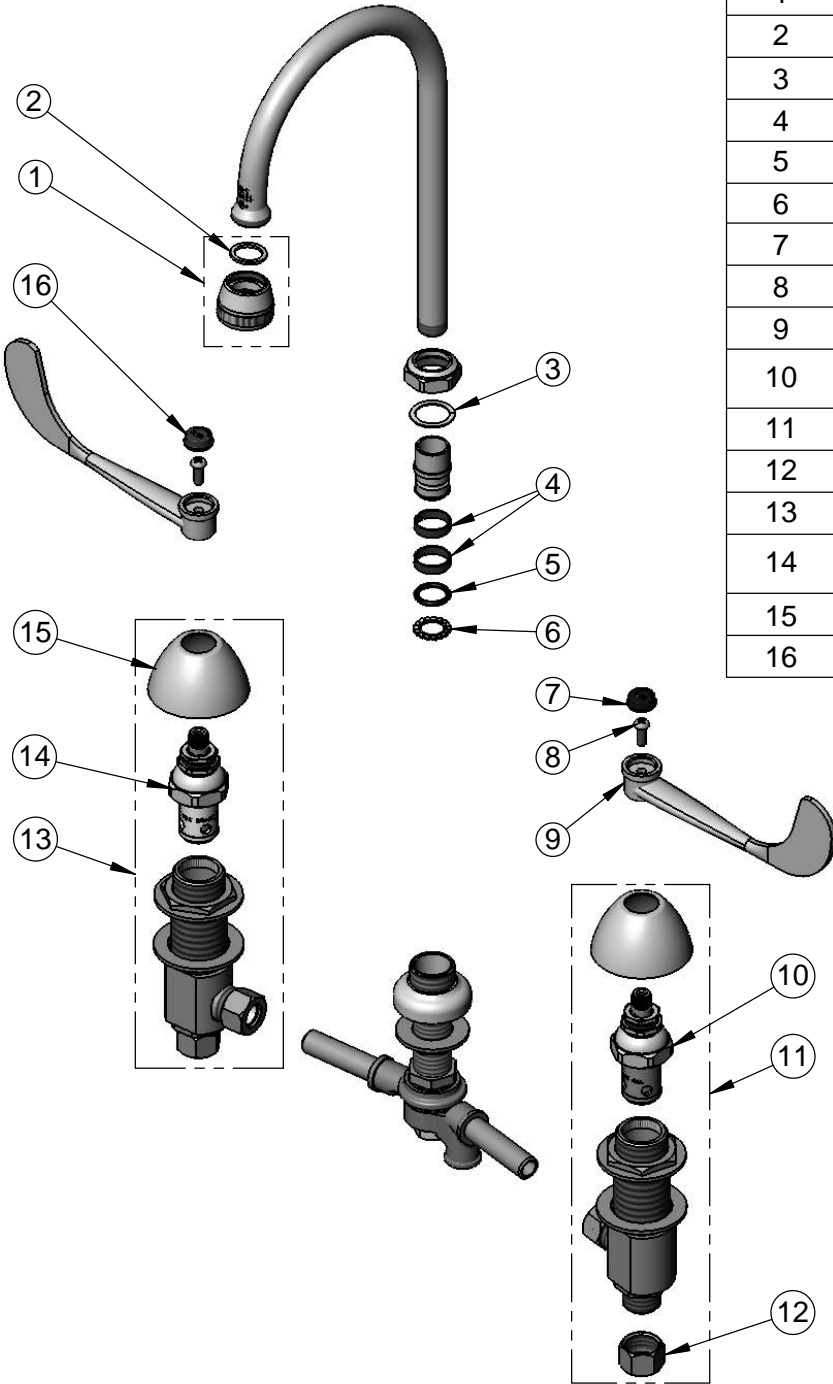
Model No.

**B-0866-PV**

Item No.

Travelers Rest, SC: 800-476-4103 • Simi Valley, CA: 800-423-0150 • Fax: 864-834-3518 • www.tsbrass.com

ITEM NO.	SALES NO.	DESCRIPTION
1	B-0103-01	Rosespray Outlet
2	001048-45	Nozzle Tip Washer
3	009538-45	Swivel Washer
4	011429-45	Swivel Sleeves (2)
5	001074-45	O-Ring
6	014200-45	Star Washer, Anti-Rotation
7	001686-45	Blue Index- CW
8	000925-45	Lab Handle Screw
9	B-WH6	6" Wrist Action Handle
10	006477-40	Eterna Cartridge, LTC (Teflon) w/ Escutcheon Bonnet
11	161A	B-0850 Side Body - Cold
12	000958-20	Coupling Nut
13	162A	B-0850 Side Body - Hot
14	006478-40	Eterna Cartridge, RTC (Teflon) w/ Escutcheon Bonnet
15	001257-40	Bell Escutcheon
16	001194-45	Red Index - HW



**Product Specifications:**

8" Deck Mount Mixing Faucet, Eterna Cartridges, 6" Wrist Action Handles, Swivel Gooseneck w/ Rosespray Outlet, Pedal Valve Connection & 1/2" NPT Male Inlets w/ Coupling Nuts

**Product Compliance:**

ASME A112.18.1 / CSA B125.1  
NSF 61 - Section 9  
NSF 372 (Low Lead Content)  
ANSI A117.1 (ADA)