



T&S BRASS AND BRONZE WORKS, INC.

2 SADDLEBACK COVE / P.O. BOX 1088 / TRAVELERS REST, SC 29690

PHONE 800-476-4103

FAX 864-834-3518



REG.#A2601
ISO #9002

Model No.

B-0866

Item No.:

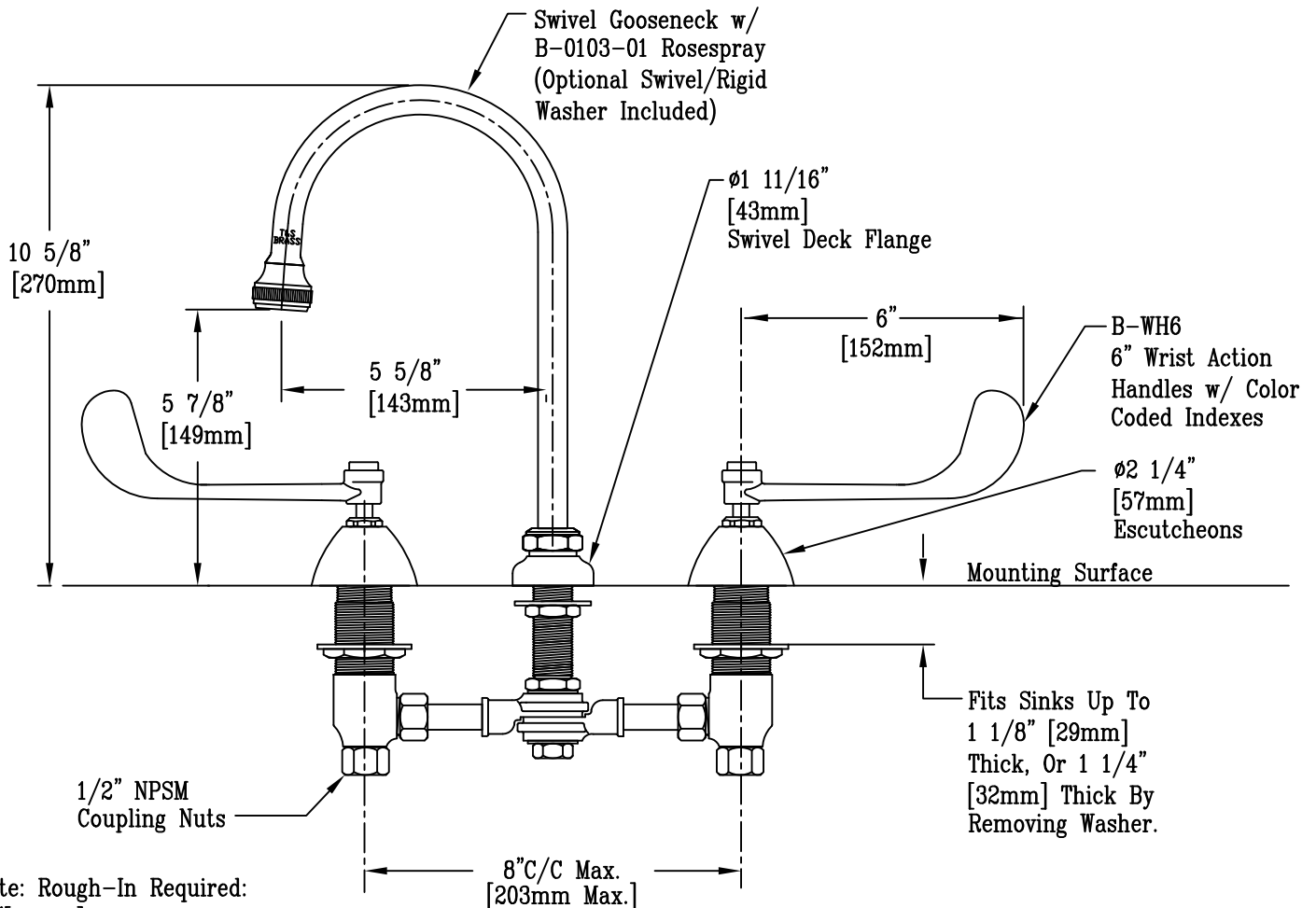
Job Name:

Architect/Engineer Approval:

Notes:



ADA Compliant



Note: Rough-In Required:
 Ø1" [25mm] For Center Shank
 Ø1 1/2" [38mm] For Hot/Cold Side
 Bodies [1-1/4" [32mm] Minimum]

Hot & Cold Center Sections Can be at Angle	IF "Y" IS	Then Faucet Will Fit "X" with Standard 1/4" NPT Cross Pipes Furnished
	1/2"	8"
	1"	7 3/4"
	1 1/2"	7 3/8"
	2"	7"

Product Description:
 Deck Mounted Mixing Faucet w/ 6" Wrist
 Action Handles, Adjustable Inlet Centers and
 Swivel Gooseneck w/ Rosespray Outlet

Drawn:	Checked:	Scale:
JRM	DMH	1:4
Approved:	Date:	
JHB	07/16/10	