

T&S BRASS AND BRONZE WORKS, INC.

2 Saddleback Cove / P.O. Box 1088
Travelers Rest, SC 29690

Model No.

B-0867-04-WS

Item No.

Travelers Rest, SC: 800-476-4103 • Simi Valley, CA: 800-423-0150 • Fax: 864-834-3518 • www.tsbrass.com

This Space for Architect/Engineer Approval

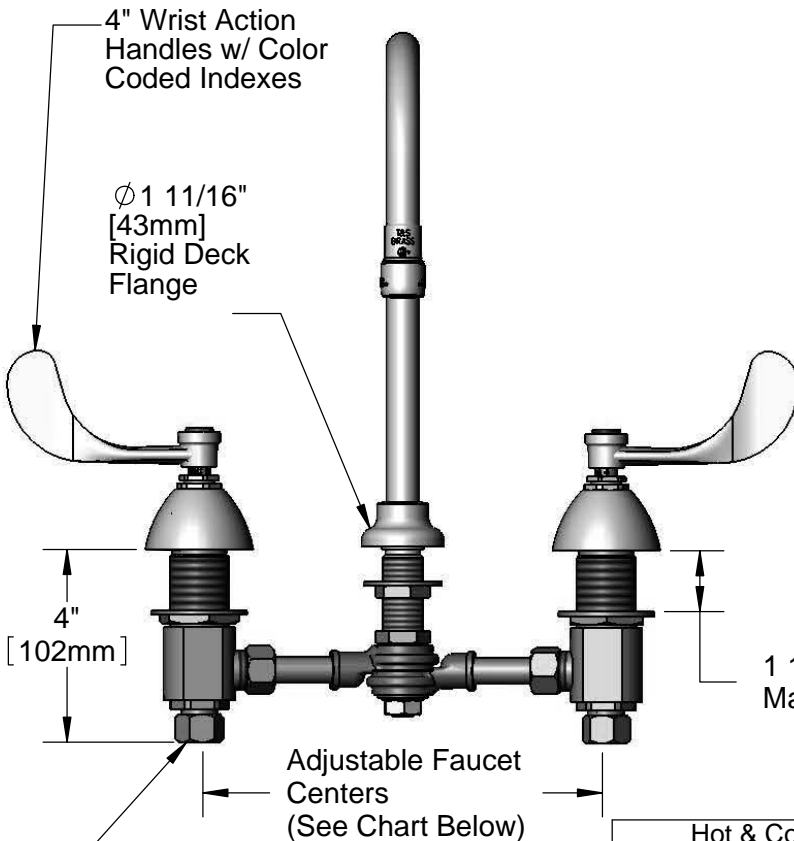
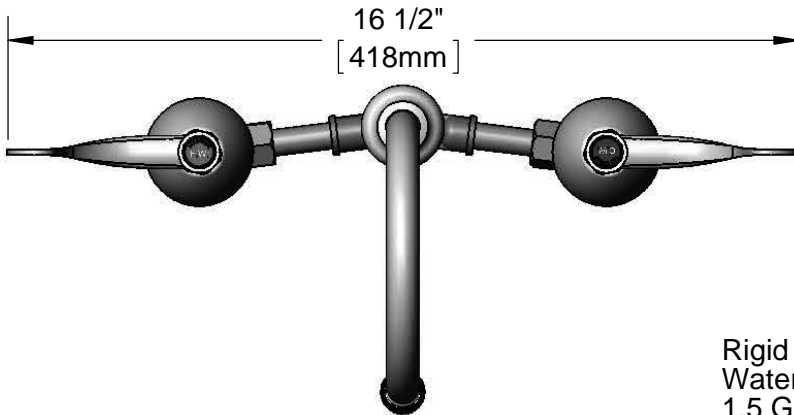
Job Name _____ Date _____

Model Specified _____ Quantity _____

Customer/Wholesaler _____

Contractor _____

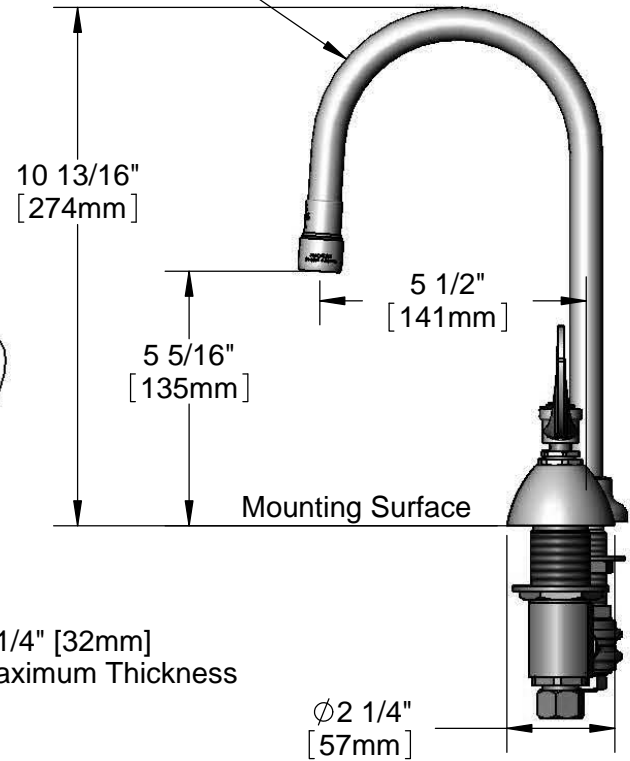
Architect/Engineer _____



Rigid Gooseneck w/
WaterSense
1.5 GPM Aerator



ADA Compliant



1 1/4" [32mm]
Maximum Thickness

Ø 2 1/4" [57mm]

Rough-In Requirements:
Center Shank: Ø 1" [Ø 25mm] Hole
Hot/Cold Bodies: Ø 1 1/2" [Ø 38mm] Hole
(Ø 1 1/4" [Ø 32mm] Minimum)

Hot & Cold Center Sections Can be at Angle		if "Y" is	Then Faucet Will Fit "X" with Standard 1/4" NPT Cross Pipes Furnished
		1/2"	8"
		1"	7 3/4"
		1 1/2"	7 3/8"
		2"	7"

Product Specifications:
8" Deck Mount Mixing Faucet w/ Eterna Cartridges,
4" Wrist Action Handles, & Rigid Gooseneck w/ 1.5 GPM Aerator

Drawn	Checked	Approved
JRM	KJG	JHB
Scale:		Date:
1:4		05/06/13



T&S BRASS AND BRONZE WORKS, INC.

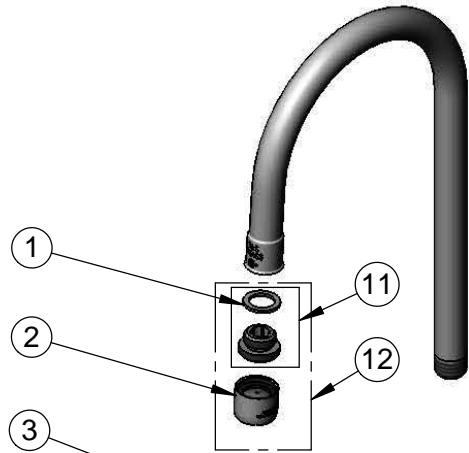
2 Saddleback Cove / P.O. Box 1088
Travelers Rest, SC 29690

Model No.

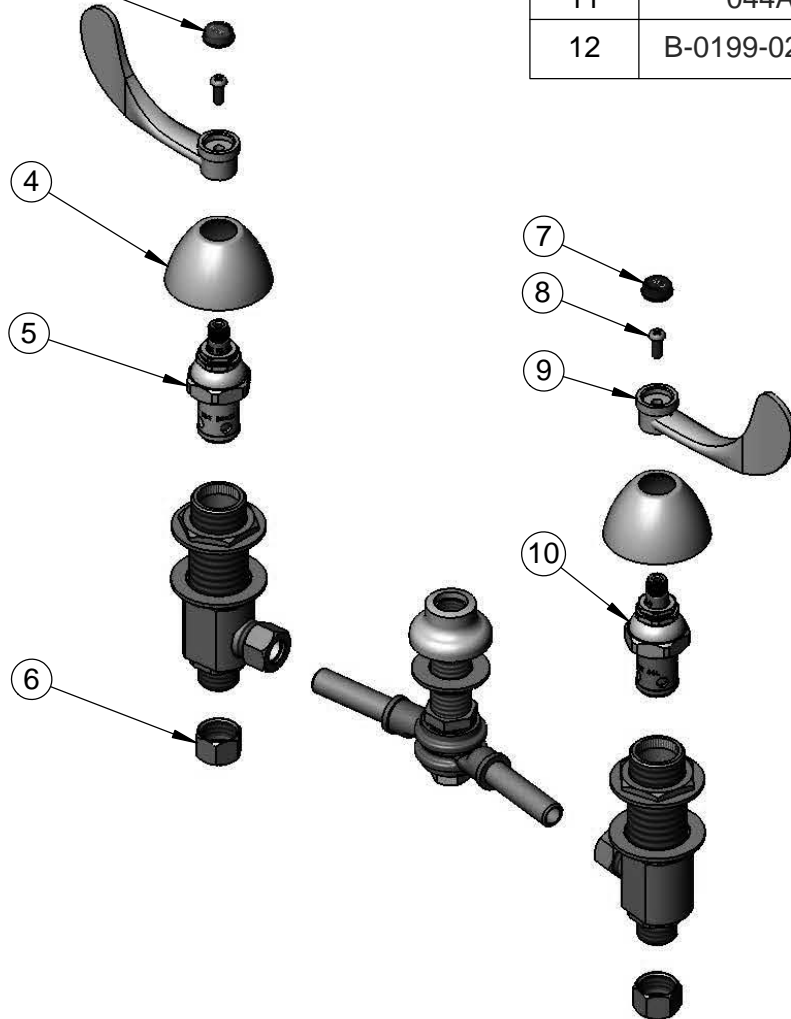
B-0867-04-WS

Item No.

Travelers Rest, SC: 800-476-4103 • Simi Valley, CA: 800-423-0150 • Fax: 864-834-3518 • www.tsbrass.com



ITEM NO.	SALES NO.	DESCRIPTION
1	001043-45	Washer
2	B-0199-01-WS	1.5 GPM Aerator, 55/64-27 Female
3	001194-45	Red HW Index
4	001257-40	Bell Escutcheon
5	006478-40	Eterna Cartridge, RTC (Teflon) w/ Escutcheon Bonnet
6	000958-20	Coupling Nut
7	001686-45	Blue CW Index
8	000925-45	Lab Handle Screw
9	B-WH4	4" Wrist Action Handle
10	006477-40	Eterna Cartridge, LTC (Teflon) w/ Escutcheon Bonnet
11	044A	3/8" to Aerator Adapter
12	B-0199-02-WS	1.5 GPM Female Aerator, Adapter & Washer



Product Specifications:

8" Deck Mount Mixing Faucet w/ Eterna Cartridges,
4" Wrist Action Handles, & Rigid Gooseneck w/ 1.5 GPM Aerator

Drawn

JRM

Checked

KJG

Approved

JHB

Scale:

NTS

Date:

05/06/13