



T&S BRASS AND BRONZE WORKS, INC.

2 Saddleback Cove / P.O. Box 1088
Travelers Rest, SC 29690

Model No.

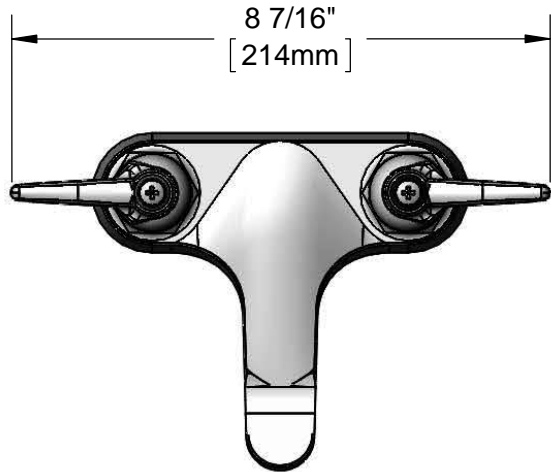
B-0871-CR-WS

Item No.

Travelers Rest, SC: 800-476-4103 • Simi Valley, CA: 800-423-0150 • Fax: 864-834-3518 • www.tsbrass.com



ADA Compliant



This Space for Architect/Engineer Approval

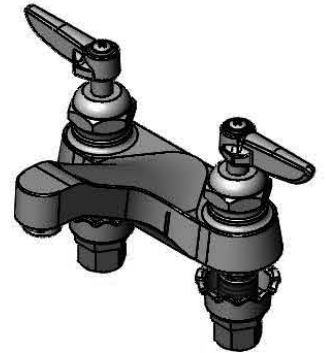
Job Name _____ Date _____

Model Specified _____ Quantity _____

Customer/Wholesaler _____

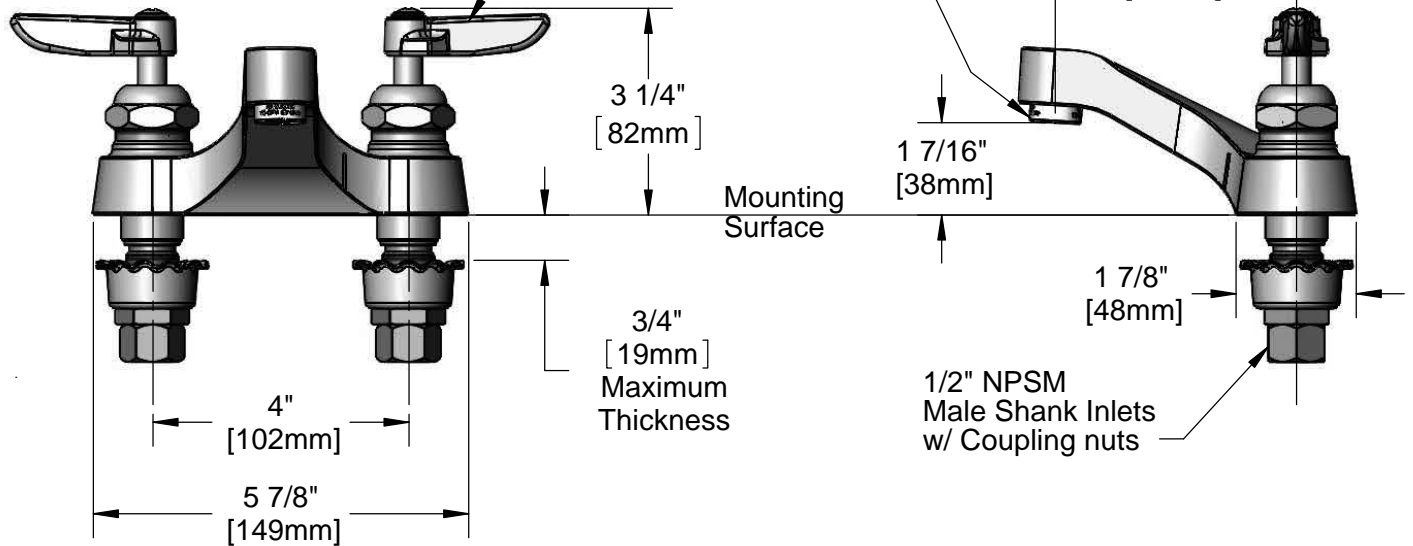
Contractor _____

Architect/Engineer _____



Quarter-Turn Cerama Cartridges w/ Lever Handles & Color Coded Indexes

B-0199-03-WS
1.5 GPM Aerator



Rough-In Requirement:
Ø 1 1/8" [29mm] Mounting Holes

Product Specifications:
4" Centerset Deck Mount Mixing Faucet w/ Quarter-Turn Cerama Cartridges, Lever Handles & 1.5 GPM Aerator

Product Compliance:
NSF 61 - Section 9
NSF 372 (Low Lead Content)
ANSI A117.1 (ADA)
EPA WaterSense



T&S BRASS AND BRONZE WORKS, INC.

2 Saddleback Cove / P.O. Box 1088
Travelers Rest, SC 29690

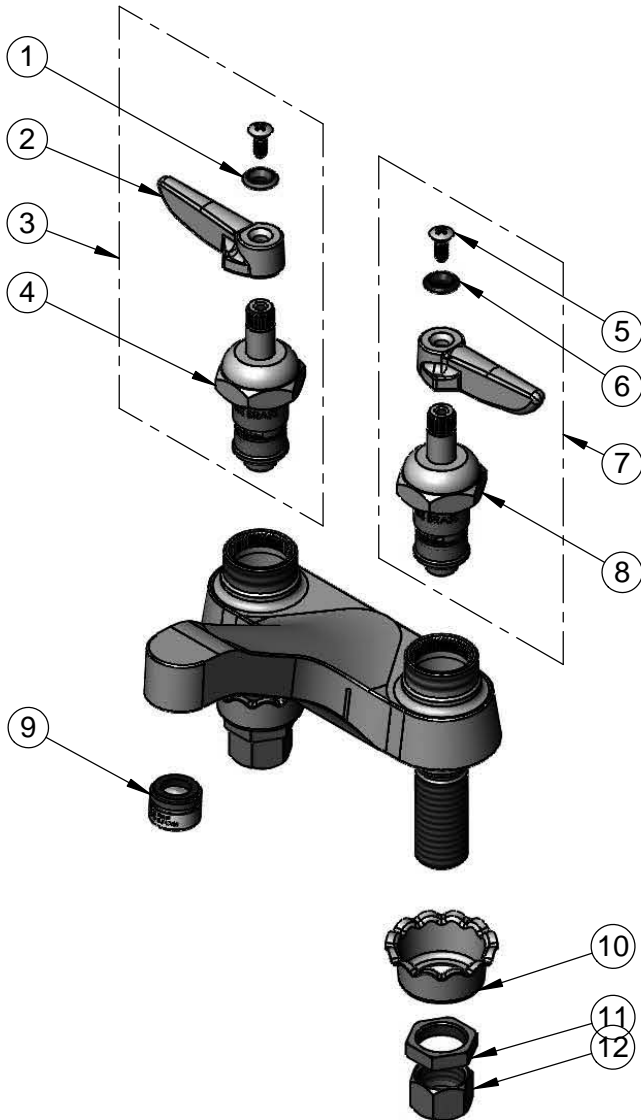
Model No.

B-0871-CR-WS

Item No.

Travelers Rest, SC: 800-476-4103 • Simi Valley, CA: 800-423-0150 • Fax: 864-834-3518 • www.tsbrass.com

ITEM NO.	SALES NO.	DESCRIPTION
1	001661-45	Red Index-HW
2	001638-45	Lever Handle
3	012444-25	Quarter-Turn Cerama Cartridge, RTC w/ Handle, Index & Screw
4	011278-45	Quarter-Turn Cerama Cartridge, RTC
5	000922-45	Lever Handle Screw
6	001660-45	Blue Index-CW
7	012445-25	Quarter-Turn Cerama Cartridge, LTC w/ Handle, Index & Screw
8	011279-25	Quarter-Turn Cerama Cartridge, LTC
9	B-0199-03-WS	1.5 GPM Aerator, 13/16-27 Male
10	001000-45	Rosette Washer
11	002954-45	Shank Lock Nut
12	000958-20	Coupling Nut



Product Specifications:

4" Centerset Deck Mount Mixing Faucet w/ Quarter-Turn Cerama Cartridges, Lever Handles & 1.5 GPM Aerator

Product Compliance:

NSF 61 - Section 9
NSF 372 (Low Lead Content)
ANSI A117.1 (ADA)
EPA WaterSense